

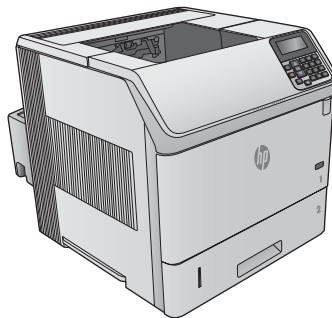


# LaserJet Enterprise M604, M605, M606

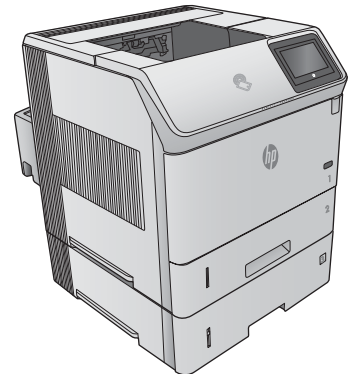
## Troubleshooting Manual



M604n  
M605n



M604dn  
M605dn  
M606dn



M605x  
M606x



[www.hp.com/support/lj604](http://www.hp.com/support/lj604)

[www.hp.com/support/lj605](http://www.hp.com/support/lj605)

[www.hp.com/support/lj606](http://www.hp.com/support/lj606)

For printer part removal and part numbers information, see the Repair Manual.





# HP LaserJet Enterprise M604, M605, M606

## Troubleshooting Manual

**Copyright and License**

© 2015 Copyright Hewlett-Packard Development Company, L.P.

Reproduction, adaptation, or translation without prior written permission is prohibited, except as allowed under the copyright laws.

The information contained herein is subject to change without notice.

The only warranties for HP products and services are set forth in the express warranty statements accompanying such products and services. Nothing herein should be construed as constituting an additional warranty. HP shall not be liable for technical or editorial errors or omissions contained herein.

Edition 1, 4/2015

**Trademark Credits**

Microsoft®, Windows®, Windows® XP, and Windows Vista® are U.S. registered trademarks of Microsoft Corporation.





## Conventions used in this guide

---


 **TIP:** Helpful hints or shortcuts.

**Reinstallation tip:** Reinstallation helpful hints, shortcuts, or considerations.

 **NOTE:** Information that explains a concept or how to complete a task.

 **IMPORTANT:** Information that help the user to avoid potential printer error conditions.

 **CAUTION:** Procedures that the user must follow to avoid losing data or damaging the printer.

 **WARNING!** Procedures that the user must follow to avoid personal injury, catastrophic loss of data, or extensive damage to the printer.

---



## For additional service and support information

HP service personnel, go to the Service Access Work Bench (SAW) at <http://h41302.www4.hp.com/km/saw/home.do>.

Channel partners, go to HP Channel Services Network (CNS) at <https://h30125.www3.hp.com/hpcsn>.

- To access HP PartSurfer information from any mobile device, go to <http://partsurfermobile.hp.com/> or scan the Quick Response (QR) code below.



- Install and configure
- Printer specifications
- Up-to-date control-panel message (CPMD) troubleshooting
- Solutions for printer issues and emerging issues
- Remove and replace part instructions and videos
- Service advisories
- Warranty & regulatory information



---

# Table of contents

<b>1 Theory of operation .....</b>	<b>1</b>
Related documentation and software .....	2
Basic operation .....	3
Sequence of operation .....	4
Formatter-control system .....	5
Sleep mode .....	5
Printer job language (PJM) .....	6
Printer management language (PML) .....	6
Control panel .....	6
Easy-access USB port .....	7
Wireless .....	7
Near field communication (NFC) .....	7
CPU .....	7
Input/output .....	7
Memory .....	7
Firmware .....	8
Nonvolatile random access memory (NVRAM) .....	8
Random access memory (RAM) .....	8
HP Memory Enhancement technology (MEt) .....	8
Engine-control system .....	9
DC controller .....	10
Motors .....	11
Fans .....	11
Solenoids .....	12
Switches .....	12
Sensors .....	13
Low-voltage power supply .....	14
Low-voltage power supply voltages description .....	14
Over-current/over-voltage protection .....	15
Sleep mode operation .....	15
Low-voltage power supply failure detection .....	15
High-voltage power supply .....	16

Fuser bias .....	17
Engine power supply .....	17
Fuser-control circuit .....	17
Fuser temperature control .....	17
Fuser unit life detection .....	18
Fuser unit identification .....	18
Engine laser/scanner system .....	19
Laser failure detection .....	21
Image formation process .....	22
Step 1: Primary charging .....	23
Step 2: Laser-beam exposure .....	24
Step 3: Development .....	24
Step 4: Transfer .....	25
Step 5: Separation .....	25
Step 6: Fusing .....	26
Step 7: Drum cleaning .....	26
Step 8: Drum charge elimination .....	27
Pickup, feed, and delivery system .....	28
Photo sensors and switches .....	28
Motors, clutches, and solenoids .....	28
Tray 1 (multipurpose)/Tray 2 (base printer) .....	29
Tray 1 paper pickup and feed .....	29
Tray 2 paper presence detection .....	29
Tray 2 paper pickup and feed .....	30
Tray 2 multiple-feed prevention .....	30
Tray 2 tray presence detection .....	31
Tray 2 skew feed prevention .....	31
Duplexer .....	32
Duplexing reverse and duplex feed control .....	32
Side registration adjustment operation (DP) .....	34
Jam detection/prevention .....	35
Fuser wrapping jam detection .....	39
Pressure roller pressurization and depressurization control .....	39
Input accessories .....	41
Trays 3-6 .....	42
Trays 3-6 driver PCA .....	42
Trays 3-6 motor control .....	43
Trays 3-6 electrical components .....	43
Trays 3-6 media size detection .....	44
Trays 3-6 paper pickup .....	44
Trays 3-6 multiple feed prevention .....	45

Trays 3-6 tray presence detection .....	45
Trays 3-6 tray lift operation .....	45
Trays 3-6 jam detection .....	45
High-capacity input (HCI) feeder .....	46
HCI driver PCA .....	46
HCI motor control .....	47
HCI electrical components .....	48
HCI media size detection .....	48
HCI paper pickup .....	48
HCI multiple feed prevention .....	49
HCI tray lift operation .....	50
HCI jam detection .....	51
Envelope feeder .....	52
Envelope feeder driver PCA .....	52
Envelope feeder motor control .....	52
Envelope feeder electrical components .....	53
Envelope feeder paper pickup .....	54
Envelope feeder multiple feed prevention .....	54
Envelope feeder multiple feed detection .....	54
Envelope feeder jam detection .....	56
Duplexer .....	57
Duplexer driver PCA .....	57
Duplexer motor control .....	57
Duplexer electrical components .....	58
Duplexer paper pickup .....	59
Side registration adjustment operation (DP) .....	60
Duplexer jam detection .....	62
<b>2 Solve problems .....</b>	<b>63</b>
For additional service and support .....	64
Solve problems checklist .....	65
Solve problems checklist .....	65
Print the configuration page .....	68
Print menu map .....	69
Print current settings pages .....	70
Print event log .....	70
Pre-boot menu options .....	73
Remote Admin .....	82
Required software and network connection .....	82
Connect a remote connection .....	84
Disconnect a remote connection .....	88

Troubleshooting process .....	91
Determine the problem source .....	91
Troubleshooting flowchart .....	91
Power subsystem .....	92
Power-on checks .....	92
Power-on troubleshooting overview .....	92
Control panel checks .....	95
Control-panel diagnostics .....	96
Touchscreen diagnostic mode (M605x and M606x only) .....	96
Control-panel system diagnostics (touchscreen control panel) .....	100
Control panel diagnostic flowcharts (M605x and M606x only) .....	115
Touchscreen black, white, or dim (no image) .....	116
Touchscreen is slow to respond or requires multiple presses to respond .....	117
Touchscreen has an unresponsive zone .....	118
No control panel sound .....	119
Home button is unresponsive .....	120
Hardware integration pocket (HIP) is not functioning (control panel functional) .....	121
Tools for troubleshooting .....	122
Individual component diagnostics .....	122
Tools for troubleshooting: LED diagnostics .....	122
Understand lights on the formatter .....	122
Tools for troubleshooting: Engine diagnostics .....	123
Engine test button .....	123
Defeating interlocks .....	124
Disable cartridge check .....	125
Tools for troubleshooting: Paper path and sensor diagnostic tests .....	126
Paper path test .....	126
Paper path sensors test .....	127
Manual sensor tests .....	129
Tray/bin manual sensor test .....	131
Tools for troubleshooting: Print/stop test .....	133
Tools for troubleshooting: Component tests .....	134
Individual component diagnostics (special-mode test) .....	134
Diagrams .....	136
Diagrams: Block diagrams .....	136
Sensors and switches .....	136
Cross section diagrams .....	141
Diagrams: Printed circuit assembly (PCA) connector locations .....	146
DC controller connections .....	146



Formatter PCA .....	148
Printer base connectors .....	149
1x500-sheet feeder connectors .....	150
1,500-sheet high-capacity feeder connectors .....	150
Duplexer connectors .....	151
Envelope feeder connectors .....	151
Diagrams: External plug and port locations .....	151
Diagrams: Locations of major assemblies .....	153
Main assemblies (printer base) .....	153
Motors and fans (printer base) .....	155
Printed circuit assemblies (PCAs; printer base) .....	156
1x500-sheet paper feeder .....	157
1x1500-sheet paper feeder .....	158
Diagrams: General timing chart .....	160
Diagrams: General circuit diagrams .....	161
Internal print-quality test pages .....	168
Print a configuration page .....	168
HP embedded Jetdirect page .....	170
Wireless page .....	171
Finding important information on the configuration pages .....	173
Print a fuser test page .....	174
Print a cleaning page .....	176
Enable and configure auto cleaning .....	176
Control-panel menus .....	177
Administration menu .....	177
Reports menu .....	177
General Settings menu .....	179
General Print Settings menu .....	184
Default Print Options menu .....	187
Display Settings menu .....	189
Manage Supplies menu .....	191
Manage Trays menu .....	193
Stapler/Stacker Settings menu .....	195
Network Settings menu .....	196
Troubleshooting menu .....	207
Device Maintenance menu .....	210
Backup/Restore menu .....	210
Calibration/Cleaning menu .....	210
USB Firmware Upgrade menu .....	212
Service menu .....	212
Control panel message document (CPMD) .....	213

Control-panel message types .....	213
Control-panel messages and event log entries .....	213
10.XX.YZ Error Messages .....	213
11.XX.YZ Error Messages .....	219
13.XX.YZ Error Messages .....	219
20.XX.YZ Error Messages .....	237
32.XX.YX and 33.XX.YZ Error Messages .....	238
40.XX.YZ Error Messages .....	245
41.XX.YZ Error Messages .....	246
42.XX.YZ Error Messages .....	254
47.XX.XX Error Messages .....	254
48.XX.YY Error Messages .....	256
49.XX.YY Error Messages .....	256
50.WX.YZ Error Messages .....	257
51.XX.YZ, 52.XX.YZ Error Messages .....	261
54.XX.YZ Error Messages .....	261
55.XX.YZ, 56.XX.YZ Error Messages .....	262
57.XX.YZ Error Messages .....	263
58.XX.YZ Error Messages .....	265
59.XX.YZ Error Messages .....	266
60.00.0Y, 62.00.00 Error Messages .....	268
65.X0.AZ Error Messages .....	269
66.WX.YZ Error Messages .....	269
70.XX.YY Error Messages .....	271
80.XX.YY, 82.XX.YY Error Messages .....	271
98.0X.0Y Error Messages .....	273
99.XX.YY Error Messages .....	274
Alpha Error Messages .....	281
Tools for troubleshooting: Event log messages .....	311
Print or view an event log .....	312
Clear the event log .....	313
Solve image-quality problems .....	314
Improve print quality .....	314
Repetitive image defect ruler .....	314
Use a ruler to measure between repetitive defects .....	315
Print-quality troubleshooting pages .....	318
Print from a different software program .....	322
Check the paper-type setting for the print job .....	322
Check toner-cartridge status .....	322
Clean the printer .....	323
Print a cleaning page .....	323

Visually inspect the toner cartridge or cartridges .....	324
Check paper and the printing environment .....	324
Use manual print modes .....	324
Image defects table .....	327
Clean the printer .....	335
Clean the paper path .....	335
Print a cleaning page .....	335
Clean the Tray 1 rollers .....	336
Step 1: Remove the Tray 1 rollers .....	336
Step 2: Clean the Tray 1 rollers .....	339
Step 3: Install the Tray 1 rollers .....	340
Clean the Tray 2-X rollers .....	345
Step 1: Remove the tray .....	345
Step 2: Remove the pickup, feed, and separation rollers .....	345
Step 3: Clean the Tray 2-X rollers .....	347
Step 4: Install the pickup, feed, and separation rollers .....	347
Step 5: Install the tray .....	350
Clean the 1,500-sheet high capacity input (HCI) feeder rollers .....	351
Step 1: Remove the pickup, feed, and separation rollers .....	351
Step 2: Clean the HCI rollers .....	353
Step 3: Install the pickup, feed, and separation rollers .....	353
Solve paper handling problems .....	357
Product feeds incorrect page size .....	357
Product pulls from incorrect tray .....	357
Product will not duplex or duplexes incorrectly .....	357
Paper does not feed from Tray 2-X .....	358
Output is curled or wrinkled .....	358
Product does not pick up paper or misfeeds .....	359
The product does not pick up paper .....	359
The product picks up multiple sheets of paper .....	360
Paper does not feed automatically .....	360
Clear paper jams .....	361
Paper path jam sensor locations .....	362
Auto-navigation for clearing jams .....	365
Experiencing frequent or recurring paper jams? .....	365
Clear paper jams in Tray 1 .....	367
Clear paper jams in Tray 2 and the 500-sheet trays .....	368
Clear paper jams in the optional 1,500-sheet high-capacity tray .....	370
Clear paper jams in the toner-cartridge area .....	372
Clear paper jams in the rear output bin .....	375
Clear paper jams in the fuser area .....	376

Clear paper jams in the output bin .....	381
Clear paper jams in the duplexer .....	382
Clear paper jams in the envelope feeder .....	384
Clear paper jams in the 5-bin mailbox .....	386
Clear jams in the stacker or stapler/stacker .....	388
Clear paper jams in the stacker or stapler/stacker .....	388
Clear staple jams in the stapler/stacker .....	389
Change jam recovery .....	391
Solve performance problems .....	392
Factors affecting print performance .....	392
Print speeds .....	393
The product does not print or it prints slowly .....	393
The product prints slowly .....	394
Solve connectivity problems .....	395
Solve USB connection problems .....	395
Solve wired network problems .....	395
Poor physical connection .....	395
The computer is using the incorrect IP address for the product .....	395
The computer is unable to communicate with the product .....	396
The product is using incorrect link and duplex settings for the network .....	396
New software programs might be causing compatibility problems .....	396
The computer or workstation might be set up incorrectly .....	396
The product is disabled, or other network settings are incorrect .....	396
Service mode functions .....	397
Service menu .....	397
Product resets .....	398
Restore factory-set defaults .....	398
Restore the service ID .....	399
Product cold reset .....	400
Format Disk and Partial Clean functions .....	401
Active and repository firmware locations .....	401
Partial Clean .....	401
Execute a Partial Clean .....	402
Format Disk .....	402
Execute a Format Disk .....	403
Firmware upgrades .....	405
Determine the installed revision of firmware .....	406
Perform a firmware upgrade .....	407
HP Embedded Web Server .....	407
USB flash drive (Pre-boot menu) .....	408
USB flash drive (control-panel menu) .....	410

<b>Appendix A Printer specifications .....</b>	<b>411</b>
Printer dimensions .....	412
Dimensions for the products, as sold .....	412
Dimensions for the input and output accessories .....	414
Dimensions for sample combinations of the products and optional accessories .....	418
Combination one .....	418
Combination two .....	419
Combination three .....	419
Printer space requirements .....	421
Power consumption, electrical specifications, and acoustic emissions .....	422
Operating-environment range .....	423
Certificate of Volatility .....	424
<b>Index .....</b>	<b>427</b>



---

# List of tables

Table 1-1	Sequence of operation .....	4
Table 1-2	Motors .....	11
Table 1-3	Fans .....	11
Table 1-4	Solenoids .....	12
Table 1-5	Switches .....	12
Table 1-6	Sensors .....	13
Table 1-7	Converted DC voltages .....	14
Table 1-8	Image formation process .....	23
Table 1-9	Media presence and size detection (Tray 2 and 1x500- sheet feeder) .....	29
Table 1-10	Jam detection sensors .....	36
Table 1-11	Jams that the printer detects .....	36
Table 2-1	Pre-boot menu options (1 of 7) .....	76
Table 2-2	Pre-boot menu options (2 of 7) .....	77
Table 2-3	Pre-boot menu options (3 of 7) .....	78
Table 2-4	Pre-boot menu options (4 of 7) .....	78
Table 2-5	Pre-boot menu options (5 of 7) .....	79
Table 2-6	Pre-boot menu options (6 of 7) .....	80
Table 2-7	Pre-boot menu options (7 of 7) .....	81
Table 2-8	Troubleshooting flowchart .....	91
Table 2-9	Paper-path sensors diagnostic tests .....	127
Table 2-10	Manual sensor diagnostic tests .....	130
Table 2-11	Tray/bin manual sensors .....	132
Table 2-12	Component test details .....	135
Table 2-13	Product base, sensors and switches block diagram .....	136
Table 2-14	1x500-sheet paper feeder, sensors and switches block diagram .....	137
Table 2-15	1,500-sheet high capacity input feeder, sensors and switches block diagram .....	138
Table 2-16	Envelope feeder, sensors and switches block diagram .....	139
Table 2-17	Duplexer, sensors and switches block diagram .....	140
Table 2-18	Product base, cross section diagram .....	141
Table 2-19	1x500-sheet paper feeder, cross section diagram .....	142
Table 2-20	1,500-sheet high capacity input (HCI) feeder, cross section diagram .....	143
Table 2-21	Envelope feeder, cross section diagram .....	144

Table 2-22	Duplexer, cross section diagram .....	145
Table 2-23	Tray, cross section diagram .....	145
Table 2-24	DC controller connectors .....	146
Table 2-25	Formatter PCA .....	148
Table 2-26	External plug and port locations .....	152
Table 2-27	Main assemblies (1 of 2; printer base) .....	153
Table 2-28	Main assemblies (2 of 2; printer base) .....	154
Table 2-29	Motors and fans (printer base) .....	155
Table 2-30	PCAs (printer base) .....	156
Table 2-31	Main assemblies (1x500-sheet paper feeder) .....	157
Table 2-32	Printed circuit assembly and solenoid (1x500-sheet paper feeder) .....	157
Table 2-33	Main assemblies (1x1500-sheet paper feeder) .....	158
Table 2-34	Printed circuit assembly (PCA) and motor (1x1500-sheet paper feeder) .....	158
Table 2-35	Printed circuit assembly (PCA) and motor (1x1500-sheet paper feeder) .....	159
Table 2-36	Configuration page .....	169
Table 2-37	HP embedded Jetdirect page .....	170
Table 2-38	Wireless page .....	171
Table 2-39	Important information on the configuration pages .....	173
Table 2-40	<a href="#">Reports</a> menu .....	177
Table 2-41	<a href="#">General Settings</a> menu .....	179
Table 2-42	<a href="#">General Print Settings</a> menu .....	184
Table 2-43	<a href="#">Default Print Options</a> menu .....	187
Table 2-44	<a href="#">Display Settings</a> menu .....	189
Table 2-45	<a href="#">Manage Supplies</a> menu .....	191
Table 2-46	<a href="#">Manage Trays</a> menu .....	193
Table 2-47	<a href="#">Default Print Options</a> menu .....	195
Table 2-48	<a href="#">Network Settings</a> menu .....	196
Table 2-49	<a href="#">Embedded Jetdirect Menu</a> .....	196
Table 2-50	<a href="#">Troubleshooting</a> menu .....	207
Table 2-51	<a href="#">Backup/Restore</a> menu .....	210
Table 2-52	Sample event log page .....	311
Table 2-53	Repetitive defects .....	314
Table 2-54	Print modes under the <a href="#">Adjust Paper Types</a> submenu .....	326
Table 2-55	Print modes under the <a href="#">Optimize</a> submenu .....	326
Table 2-56	Image defects table .....	327
Table 2-57	Product feeds incorrect page size .....	357
Table 2-58	Product pulls from incorrect tray .....	357
Table 2-59	Product will not duplex (print 2-sided jobs) or duplexes incorrectly .....	357
Table 2-60	Paper does not feed from Tray 2-X .....	358
Table 2-61	Output is curled or wrinkled .....	358
Table 2-62	Paper does not feed automatically .....	360



Table 2-63	Product base jam sensors .....	362
Table 2-64	1x500-sheet paper-feeder jam sensors .....	363
Table 2-65	1,500-sheet high-capacity input (HCI) feeder jam sensors .....	364
Table 2-66	Duplexer jam sensors .....	365
Table 2-67	Solve performance problems .....	392
Table A-1	Operating-environment specifications .....	423



---

# List of figures

Figure 1-1	Relationship between the main printer systems .....	3
Figure 1-2	Engine-control system .....	9
Figure 1-3	DC controller block diagram .....	10
Figure 1-4	Low-voltage power-supply circuit .....	14
Figure 1-5	High-voltage power supply circuits .....	16
Figure 1-6	Fuser control .....	17
Figure 1-7	Fuser temperature-control circuit .....	18
Figure 1-8	Laser/scanner system .....	20
Figure 1-9	Image-formation system .....	22
Figure 1-10	Image-formation process .....	23
Figure 1-11	Primary charging .....	24
Figure 1-12	Laser-beam exposure .....	24
Figure 1-13	Development .....	25
Figure 1-14	Primary transfer .....	25
Figure 1-15	Separation .....	26
Figure 1-16	Fusing .....	26
Figure 1-17	Drum cleaning .....	27
Figure 1-18	Drum charge elimination .....	27
Figure 1-19	Photo sensors .....	28
Figure 1-20	Tray 2 multiple-feed prevention .....	31
Figure 1-21	Skew-feed prevention .....	32
Figure 1-22	Duplex block diagram .....	34
Figure 1-23	Side registration adjustment operation (DP) .....	35
Figure 1-24	Jam detection sensors .....	36
Figure 1-25	Pressure roller pressure release control .....	40
Figure 1-26	1 x 500-sheet paper feeder .....	42
Figure 1-27	1 x 500-sheet paper feeder block diagram .....	43
Figure 1-28	1 x 500-sheet paper feeder circuit diagram .....	44
Figure 1-29	HCI .....	46
Figure 1-30	HCI block diagram .....	47
Figure 1-31	HCI circuit diagram .....	48
Figure 1-32	HCI lift .....	50

Figure 1-33	Envelope feeder .....	52
Figure 1-34	Envelope feeder block diagram .....	53
Figure 1-35	Envelope feeder circuit diagram .....	53
Figure 1-36	Envelope feeder multiple feed detection .....	55
Figure 1-37	Envelope feeder jam detection .....	56
Figure 1-38	Duplexer .....	57
Figure 1-39	Envelope feeder block diagram .....	58
Figure 1-40	Duplexer circuit diagram .....	59
Figure 1-41	Side registration adjustment operation (DP) .....	61
Figure 1-42	Envelope feeder jam detection .....	62
Figure 2-1	Open the Pre-boot menu .....	73
Figure 2-2	Pre-boot menu .....	74
Figure 2-3	Open the Pre-boot menu .....	75
Figure 2-4	Open the Control Panel .....	83
Figure 2-5	Turn Windows features on or off .....	83
Figure 2-6	Enable the telnet client feature .....	84
Figure 2-7	Select the +3:Administrator item .....	85
Figure 2-8	Select the +A:Remote Admin item .....	85
Figure 2-9	Select the 1:Start Telnet item .....	85
Figure 2-10	Telnet connecting message .....	85
Figure 2-11	Telnet error message .....	86
Figure 2-12	Telnet server function initialized .....	86
Figure 2-13	Open a command window .....	87
Figure 2-14	Start a telnet session .....	87
Figure 2-15	Establish a telnet connection .....	87
Figure 2-16	Enter the PIN .....	88
Figure 2-17	Remote Admin window .....	88
Figure 2-18	Access the administrator menu .....	89
Figure 2-19	Access the remote admin menu .....	89
Figure 2-20	Terminate the telnet connection .....	90
Figure 2-21	Diagnostic-tests access button .....	96
Figure 2-22	Press the diagnostics-access button .....	97
Figure 2-23	Control-panel version A yellow screen .....	97
Figure 2-24	Touch the screen to advance colored screens .....	98
Figure 2-25	Exit the diagnostic mode .....	99
Figure 2-26	Open the Pre-boot menu .....	100
Figure 2-27	Pre-boot menu .....	101
Figure 2-28	Access the administration menu .....	102
Figure 2-29	Access the diagnostics menu .....	102
Figure 2-30	Open the screen test .....	103
Figure 2-31	Blue vertical gradient screen .....	103

Figure 2-32	Open the touch test .....	107
Figure 2-33	Touch the white grid .....	107
Figure 2-34	Verify the mark .....	108
Figure 2-35	Open the softkey test .....	109
Figure 2-36	Touch the Home button .....	109
Figure 2-37	Successful test .....	110
Figure 2-38	Open the backlight test .....	111
Figure 2-39	Open the sound test .....	112
Figure 2-40	Do not open the keyboard test .....	113
Figure 2-41	Open the sound test .....	114
Figure 2-42	Touchscreen blank, white, or dim (no image) .....	116
Figure 2-43	Touchscreen is slow to respond or requires multiple presses to respond .....	117
Figure 2-44	Touchscreen has an unresponsive zone .....	118
Figure 2-45	No control panel sound .....	119
Figure 2-46	Home button is unresponsive .....	120
Figure 2-47	Hardware integration pocket (HIP) is not functioning (control panel functional) .....	121
Figure 2-48	Engine test button .....	123
Figure 2-49	Defeating interlocks .....	124
Figure 2-50	Printer base, sensors and switches block diagram .....	136
Figure 2-51	1x500-sheet paper feeder, sensors and switches block diagram .....	137
Figure 2-52	1,500-sheet high capacity input feeder, sensors and switches block diagram .....	138
Figure 2-53	Envelope feeder, sensors and switches block diagram .....	139
Figure 2-54	Duplexer, sensors and switches block diagram .....	140
Figure 2-55	Printer base, cross section diagram .....	141
Figure 2-56	1x500-sheet paper feeder, cross section diagram .....	142
Figure 2-57	1,500-sheet high capacity input (HCI) feeder, cross section diagram .....	143
Figure 2-58	Envelope feeder, cross section diagram .....	144
Figure 2-59	Duplexer, cross section diagram .....	145
Figure 2-60	Tray, cross section diagram .....	145
Figure 2-61	DC controller PCA connectors .....	146
Figure 2-62	Formatter PCA .....	148
Figure 2-63	Printer base connectors .....	149
Figure 2-64	1x500-sheet feeder connectors .....	150
Figure 2-65	1,500-sheet high-capacity feeder connectors .....	150
Figure 2-66	Stapling mailbox connectors .....	151
Figure 2-67	Envelope feeder connectors .....	151
Figure 2-68	External plug and port locations .....	152
Figure 2-69	Main assemblies (1 of 2; printer base) .....	153
Figure 2-70	Main assemblies (2 of 2; printer base) .....	154
Figure 2-71	Motors and fans (printer base) .....	155
Figure 2-72	PCAs (printer base) .....	156

Figure 2-73	Main assemblies (1x500-sheet paper feeder) .....	157
Figure 2-74	Printed circuit assembly and solenoid (1x500-sheet paper feeder) .....	157
Figure 2-75	Main assemblies (1x1500-sheet paper feeder) .....	158
Figure 2-76	Printed circuit assembly (PCA) and motor (1x1500-sheet paper feeder) .....	158
Figure 2-77	Printed circuit assembly (PCA) and motor (1x1500-sheet paper feeder) .....	159
Figure 2-78	General timing chart .....	160
Figure 2-79	General circuit diagram for the printer base (1 of 3) .....	161
Figure 2-80	General circuit diagram for the printer base (2 of 3) .....	162
Figure 2-81	General circuit diagram for the printer base (3 of 3) .....	163
Figure 2-82	General circuit diagram for the 1x500-sheet feeder .....	164
Figure 2-83	General circuit diagram for the 1,500-sheet high-capacity feeder (HCI) .....	165
Figure 2-84	General circuit diagram for the envelope feeder .....	166
Figure 2-85	General circuit diagram for the duplexer .....	167
Figure 2-86	Configuration page .....	169
Figure 2-87	Configuration page .....	170
Figure 2-88	Wireless page .....	171
Figure 2-89	Print a fuser test page .....	175
Figure 2-90	Paper Tray guides .....	220
Figure 2-91	Paper Tray overfill guide .....	220
Figure 2-92	Paper Tray guides .....	222
Figure 2-93	Paper Tray overfill guide .....	222
Figure 2-94	Paper Tray guides .....	224
Figure 2-95	Paper Tray overfill guide .....	224
Figure 2-96	Paper Tray guides .....	226
Figure 2-97	Paper Tray overfill guide .....	226
Figure 2-98	Sample event log .....	311
Figure 2-99	Examples of repetitive defects .....	316
Figure 2-100	Place the ruler on the page .....	317
Figure 2-101	Locate the next repetitive defect .....	317
Figure 2-102	Determine the defective assembly .....	318
Figure 2-103	Print-quality troubleshooting procedure page .....	320
Figure 2-104	Black print-quality troubleshooting page .....	321
Figure 2-105	Open the front cover .....	336
Figure 2-106	Open the separation roller cover .....	336
Figure 2-107	Slide the separation roller .....	337
Figure 2-108	Remove the separation roller .....	337
Figure 2-109	Remove one screw .....	338
Figure 2-110	Remove the bushing .....	338
Figure 2-111	Remove the cover .....	339
Figure 2-112	Remove the Tray 1 pickup and feed rollers .....	339
Figure 2-113	Clean the rollers .....	340

Figure 2-114	Install the Tray 1 pickup and feed rollers .....	340
Figure 2-115	Remove the cover .....	341
Figure 2-116	Install the bushing .....	342
Figure 2-117	Install one screw .....	342
Figure 2-118	Open the separation roller cover .....	343
Figure 2-119	Position the separation roller .....	343
Figure 2-120	Install the separation roller .....	344
Figure 2-121	Close the front cover .....	344
Figure 2-122	Remove the tray .....	345
Figure 2-123	Open the cover .....	345
Figure 2-124	Remove the feed roller .....	346
Figure 2-125	Remove the feed roller .....	346
Figure 2-126	Remove the pick roller .....	347
Figure 2-127	Clean the rollers .....	347
Figure 2-128	Install the pick roller .....	348
Figure 2-129	Install the feed roller .....	348
Figure 2-130	Open the cover .....	349
Figure 2-131	Align the torque limiter .....	349
Figure 2-132	Install the feed roller .....	350
Figure 2-133	Install the tray .....	350
Figure 2-134	Open the feeder door .....	351
Figure 2-135	Open the separation-roller cover .....	351
Figure 2-136	Remove the separation roller .....	352
Figure 2-137	Remove the feed roller .....	352
Figure 2-138	Remove the pick roller .....	353
Figure 2-139	Clean the rollers .....	353
Figure 2-140	Install the pick roller .....	354
Figure 2-141	Install the feed roller .....	354
Figure 2-142	Open the separation-roller cover .....	355
Figure 2-143	Check the torque limiter .....	355
Figure 2-144	Install the feed roller .....	356
Figure 2-145	Close the feeder door .....	356
Figure 2-146	Product base jam sensors .....	362
Figure 2-147	1x500-sheet paper-feeder jam sensors .....	363
Figure 2-148	1,500-sheet high-capacity input (HCI) feeder jam sensors .....	364
Figure 2-149	Duplexer jam sensors .....	365
Figure 2-150	Open the Pre-boot menu .....	400
Figure 2-151	Open the Pre-boot menu .....	402
Figure 2-152	Open the Pre-boot menu .....	403
Figure 2-153	Open the Pre-boot menu .....	408
Figure A-1	Dimensions for the n models .....	412

Figure A-2	Dimensions for the dn models .....	413
Figure A-3	Dimensions for the x models .....	414
Figure A-4	Dimensions for the 1 x 500-sheet paper feeder .....	414
Figure A-5	Dimensions for the 1,500-sheet high-capacity input tray .....	415
Figure A-6	Dimensions for the stacker .....	416
Figure A-7	Dimensions for the stapler/stacker .....	416
Figure A-8	Dimensions for the 5-bin mailbox .....	417
Figure A-9	Dimensions for the printer stand .....	417
Figure A-10	Dimensions for Combination one .....	418
Figure A-11	Dimensions for Combination two .....	419
Figure A-12	Dimensions for Combination three .....	420
Figure A-13	Certificate of Volatility 1 of 2) .....	424
Figure A-14	Certificate of Volatility (2 of 2) .....	425



---

# 1 Theory of operation

- [Related documentation and software](#)
- [Basic operation](#)
- [Formatter-control system](#)
- [Engine-control system](#)
- [Engine laser/scanner system](#)
- [Pickup, feed, and delivery system](#)
- [Input accessories](#)

## Related documentation and software

HP service personnel, go to the Service Access Work Bench (SAW) at <http://h41302.www4.hp.com/km/saw/home.do>.

Channel partners, go to HP Channel Services Network (CSN) at <https://h30125.www3.hp.com/hpcsn>.

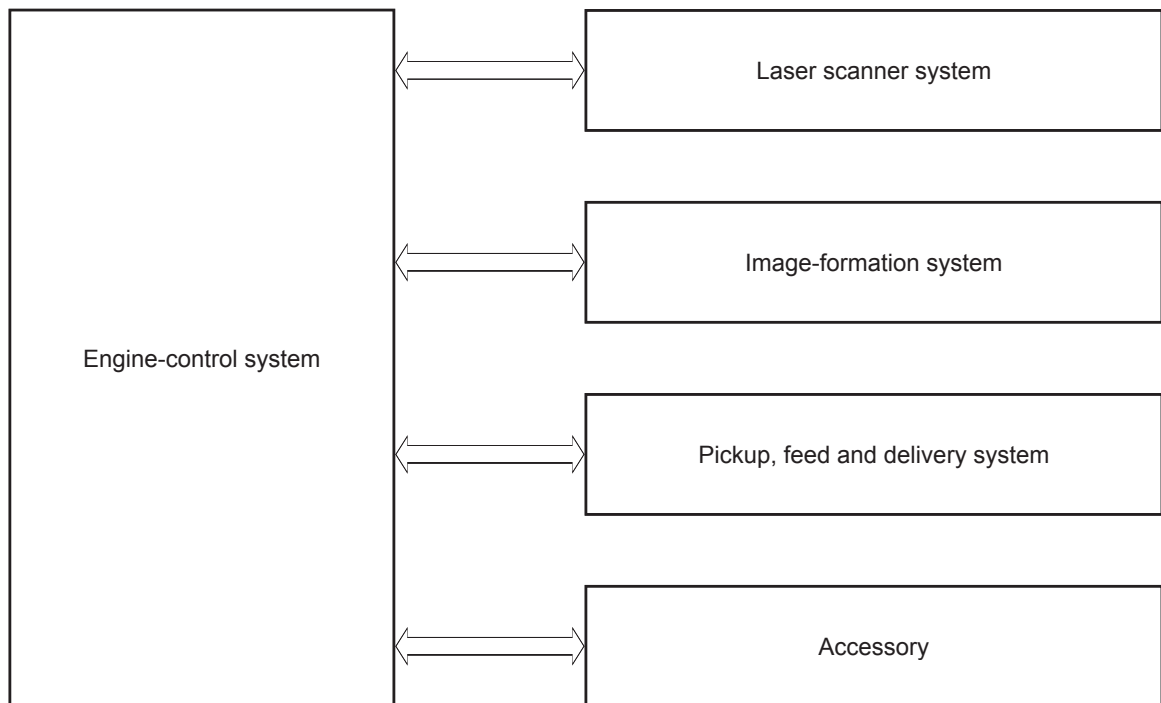
## Basic operation

The printer routes all high-level processes through the formatter, which stores font information, processes the print image, and communicates with the host computer.

The basic printer operation comprises the following systems:


- The engine-control system, which includes the power supply and the DC controller printed circuit assembly (PCA)
- The laser/scanner system, which forms the latent image on the photosensitive drum
- The image-formation system, which transfers a toner image onto the paper
- The media feed system, which uses a system of rollers and belts to transport the paper through the printer
- Accessory (optional paper feeder)

**Figure 1-1** Relationship between the main printer systems



## Sequence of operation

The DC controller PCA controls the operating sequence. The following table describes the basic operating sequence from when the printer power is turned on until the final printed page is delivered to an output bin.

 **NOTE:** The printer takes about two minutes and twenty seconds to initialize.

**Table 1-1** Sequence of operation

Period	Duration	Description
Waiting	From the time the power is turned on, the door is closed, or when the printer exits Sleep mode until the printer is ready for printing.	<ul style="list-style-type: none"><li>• Brings the printer to standby condition.</li><li>• Pressurizes the pressure roller in the fuser</li><li>• Detects the toner cartridge</li><li>• Rotates and stops each motor</li><li>• Rotates and stops each fan</li></ul>
Standby	From the end of the waiting sequence, the last rotation until the formatter receives a print command, or until the printer is turned off.	<ul style="list-style-type: none"><li>• Is in the Ready state</li><li>• Enters Sleep mode if the formatter sends the sleep command</li></ul>
Initial rotation	From the time the formatter receives a print command until the paper enters the paper path.	<ul style="list-style-type: none"><li>• Activates the high-voltage power supply</li><li>• Prepares the laser/scanner unit</li><li>• Warms the fuser to the correct temperature</li></ul>
Printing	From the time the first sheet of paper enters the paper path until the last sheet has passed through the fuser.	<ul style="list-style-type: none"><li>• Forms the image on the photosensitive drum</li><li>• Transfers the toner to the paper</li><li>• Fuses the toner image onto the paper</li></ul>
Last rotation	From the time the last sheet of paper exits the fuser until the motors stop rotating.	<ul style="list-style-type: none"><li>• Moves the last printed sheet into the output bin</li><li>• Stops each motor</li><li>• Stops each fan</li><li>• Stops the high-voltage power supply</li><li>• Stops the laser/scanner unit</li><li>• Turns the fuser heater off</li><li>• If another print command is received, the printer enters the initial rotation period when the last rotation is complete.</li></ul>

# Formatter-control system

The formatter performs the following functions:

- Controlling sleep mode
- Receiving and processing print data from the various printer interfaces
- Monitoring control panel functions and relaying printer status information (through the control panel and the network or bi-directional interface)
- Developing and coordinating data placement and timing with the DC controller PCA
- Storing font information
- Communicating with the host computer through the network or the bidirectional interface

The formatter receives a print job from the network or bidirectional interface and separates it into image information and instructions that control the printing process. The DC controller PCA synchronizes the image formation system with the paper input and output systems, and then signals the formatter to send the print image data.

The formatter also provides the electrical interface and mounting locations for the Slim DIMM and the optional hard-disk drive (HDD).

## Sleep mode



**NOTE:** In the [General Settings](#) menu (a submenu of the [Administration](#) menu), this item is termed [Sleep Timer Settings](#).

This feature conserves power after the printer has been idle for an adjustable period of time. When the printer is in Sleep mode, the printer retains all settings, downloaded fonts, and macros. The default setting is for Sleep mode to be enabled, and the printer enters Sleep mode after a 30-second idle time.

The printer firmware uses a combination of timers and Sleep settings to control when the printer enters a different state as well as what states the printer will enter. The available states are listed below, in descending order, from using the most power to using the least power:

- **Active:** The printer control panel is fully illuminated. The power button light is illuminated.
- **Shallow suspend:** The printer control panel is dim and the content is grayed out, but is still readable. The power button light is illuminated.
- **Suspend:** The printer control panel is off (blacked out). The power button light blinks once every three seconds.
- **Deep suspend:** The printer control panel is off (blacked out). The power button light blinks once every three seconds. The control panel and power button appearance is the same in this state as the suspend state. However, the printer is drawing less than 1 watt of power in the deep suspend state (as opposed to 6 watts of power in the suspend state).
- **Off:** This state is entered by pressing the power button or removing power from the printer. The power button light is not illuminated.

The printer exits Sleep mode and enters the warm-up cycle when any of the following events occur:

- The printer receives a print job, valid data, or a PML or PJP command.
- A control-panel button is pressed or the touchscreen is touched.
- A cover or door is opened.
- The engine-test switch is pressed.
- A paper tray, other than Tray 1, is opened.



---

**NOTE:** If the printer is in the deep suspend state, opening a paper tray will not cause the printer to exit Sleep mode.

---



**NOTE:** Printer error messages override the Sleep message. The printer enters Sleep mode at the appropriate time, but the error message continues to appear.

---

## Printer job language (PJP)

PJP is an integral part of printer configuration, in addition to the standard printer command language (PCL) and PostScript (PS). With standard cabling, the printer can use PJP to perform a variety of functions, such as these:

- **Two-way communication with the host computer through a network connection or a USB device port:** The printer can inform the host about the control-panel settings, and the control-panel settings can be changed from the host.
- **Dynamic I/O switching:** The printer uses this switching to be configured with a host on each I/O. The printer can receive data from more than one I/O simultaneously, until the I/O buffer is full. This can occur even when the printer is offline.
- **Context-sensitive switching:** The printer can automatically recognize the personality (PS or PCL) of each job and configure itself to serve that personality.
- **Isolation of print environment settings from one print job to the next:** For example, if a print job is sent to the printer in landscape mode, the subsequent print jobs print in landscape only if they are formatted for landscape printing.

## Printer management language (PML)

PML allows remote configuration of the printer and status read-back from the printer through the I/O ports.

## Control panel

The M604n, M605n, M604dn, M605dn, and M606dn control panel is a 6.85 cm (2.7 in) four-line color display with numeric keypad and additional buttons for navigating control panel menus. The M605x and M606x control panel is a 20.3 cm (8 in) full-color SVGA with capacitive touchscreen and adjustable viewing angle.

The M605x and M606x control panel has a diagnostic mode to allow testing of the touchscreen, [Home](#) button, and speaker. The control panel does not require calibration.

All models include an easy-access USB port for walk-up printing and a hardware integration pocket for third-party USB devices, such as card readers.

## Easy-access USB port

This printer features easy-access USB printing, for quickly printing files without sending them from a computer. The printer accepts standard USB flash drives in the USB port near the control panel. It supports the following types of files:

- .pdf
- .prn
- .pcl
- .ps
- .cht

The USB port is disabled by default. Follow the instructions in the printer user guide to enable the USB port and print USB documents.

## Wireless

The M605x and M606x contains a wireless card to enable 802.11b/g/n wireless communication.

## Near field communication (NFC)

The M605x and M606x printer supports near field communication (NFC) capabilities. NFC enables an easy one-to-one HP wireless direct print connection using a simple device-to-device touch. Mobile device users can quickly connect to the printer and print documents and images from a mobile device, such as a smartphone or tablet, by touching the device to the NFC icon on the bottom of the control panel.

## CPU

The formatter incorporates an 800 MHz processor.

## Input/output

The printer has three I/O interfaces:

- Hi-Speed USB 2.0
- 10/100/1000 Ethernet LAN connection with IPv4 and IPv6
- Easy-access USB printing (no computer required)

## Memory

If the printer encounters a problem when managing available memory, a clearable warning message appears on the control panel.

The formatter incorporates different types of memory and storage to store the printer firmware as well as print-job data and user settings.

- 512 MB base memory, expandable to 1.0 GB or 1.5 GB by adding DIMM memory modules
- HP Secure High-Performance Hard Disk (HDD; optional)

## Firmware

Memory on the formatter or an optional hard-disk drive (HDD) attached to the formatter store the firmware. A remote firmware upgrade process is used to overwrite and upgrade the firmware.

## Nonvolatile random access memory (NVRAM)

The printer uses NVRAM to store printer and user configuration settings. The contents of NVRAM are retained when the printer is turned off or disconnected.

## Random access memory (RAM)

The formatter has one DIMM slot. All models come with 512 MB base memory installed. Additional memory can be added up to a maximum of 1.5 GB.

The RAM on the formatter contains the page, I/O buffers, and the font storage area. It stores printing and font information received from the host system, and can also serve to temporarily store a full page of print-image data before the data is sent to the print engine.



---

**NOTE:** If the printer encounters a problem when managing available memory, a clearable warning message displays on the control panel display.

---

## HP Memory Enhancement technology (MEt)

MEt effectively doubles the amount of standard memory through a variety of font- and data-compression methods.



---

**NOTE:** MEt is available only in when printing in printer command language (PCL) mode. It is not functional when printing in PostScript (PS) mode.

---

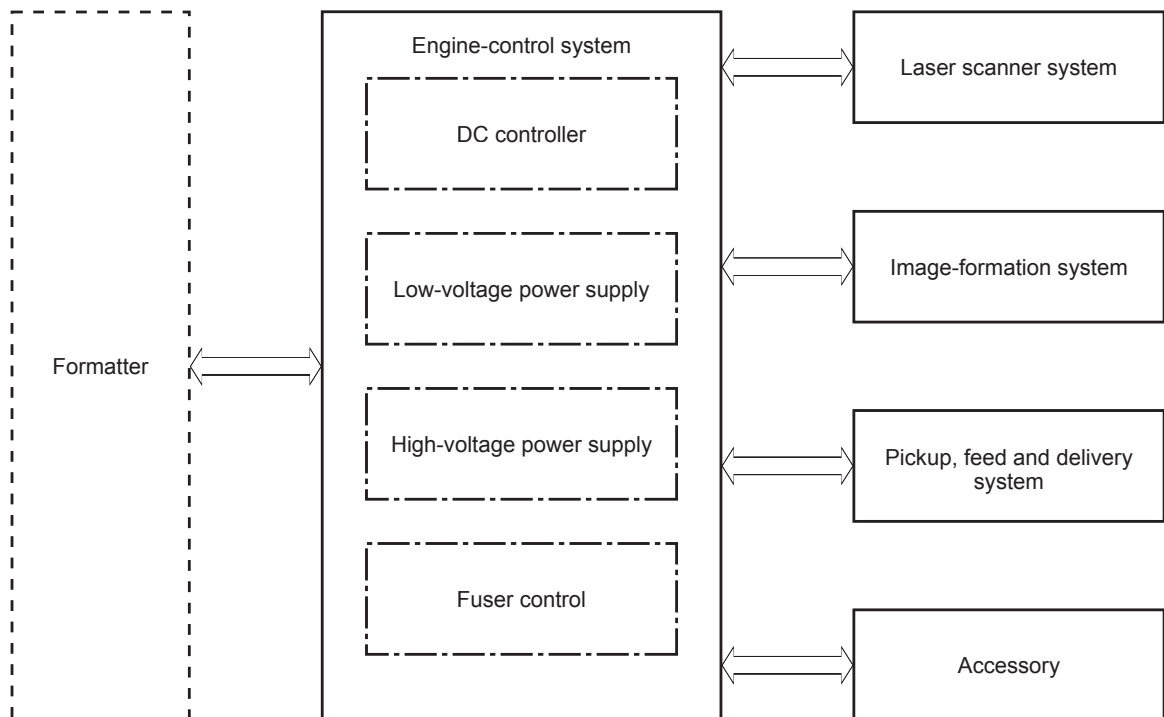


# Engine-control system

The engine-control system receives commands from the formatter and interacts with the other main systems to coordinate all printer functions. The engine-control system consists of the following components:

- DC controller
- Low-voltage power supply
- High-voltage power supply
- Fuser control

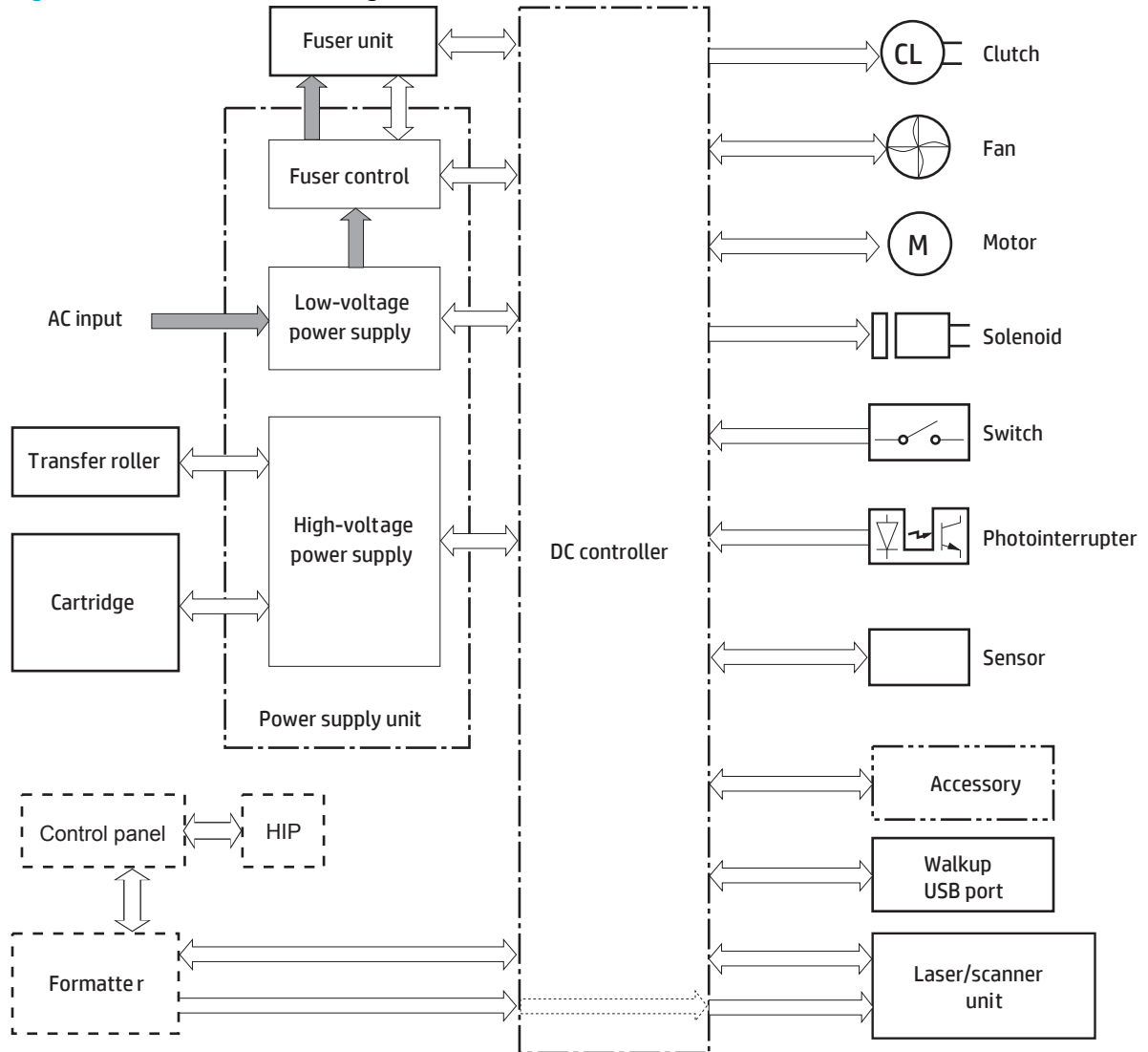
**Figure 1-2** Engine-control system



## DC controller

The DC controller controls the operation of the printer and its components. The DC controller starts the printer operation when the printer power is turned on and the power supply sends DC voltage to the DC controller. After the printer enters the standby period, the DC controller sends out various signals to operate motors, solenoids, and other printer components based on the print command and image data that the host computer sends.

**Figure 1-3** DC controller block diagram



## Motors

The printer has four direct current (DC) motors. The motors drive the components in the paper-feed and image-formation systems.

The DC controller monitors the fuser motor, the paper feed motor, and the drum motor to determine if a motor has failed. It notifies the formatter when it encounters the following conditions:

- Startup failure: the motor does not reach a specified speed within a specified time from when the motor starts.
- Rotational failure: the rotational speed of the motor is not in the specified range for a specified time after the motor reaches a specified speed.

**Table 1-2 Motors**

Abbreviation	Name	Purpose	Failure detection
M101	Paper feed motor	Drives the Tray 1 pickup roller, Tray 2 pickup roller, and feed roller.	Yes
M102	Drum motor	Drives the photosensitive drum, primary charging roller, and transfer roller.	Yes
M299	Fuser motor	Drives the pressure roller and feed roller—when rotated counterclockwise it releases the fusing pressure for easier jam removal.	Yes
M103	Lifter motor	Drives the lifting plate of the tray.	No <sup>1</sup>

<sup>1</sup> This motor does not have direct failure detection. However, if the error message [60.00.02 Lifting Error](#) appears on the control-panel display, it could indicate that this motor has failed.

## Fans

The printer has four fans that prevent the temperature from rising in the printer and for cooling the printed pages.

The DC controller determines if there is a fan failure and notifies the formatter if the fan locks for a specified time from when the fan starts.

**Table 1-3 Fans**

Abbreviation	Name	Cooling area	Type	Speed
FN101	Cooling fan	Power supply area left side	Intake	Full/half <sup>1</sup>
FN102	Cooling fan	Toner cartridge area right side	Intake	Full <sup>2</sup>
FN103	Cooling fan	Toner cartridge area left side	Intake	Full <sup>2</sup>
FN104	Cooling fan	Laser/scanner right side	Intake	Full <sup>2</sup>

<sup>1</sup> Cooling fan FN101 rotates at full speed for eight seconds when the printer is turned on, and then decreases to half-speed for approximately 10 minutes. After that time period, if there is no print job in the print queue, the fan will stop completely. The fan rotates at full speed during a print job.

<sup>2</sup> This fan operates at full speed only during a print job. Otherwise, it does not rotate.

## Solenoids

The printer has two solenoids. Solenoids are used for printer operation control.

**Table 1-4 Solenoids**

<b>Component abbreviation</b>	<b>Component name</b>
SL101	Cassette pickup solenoid
SL102	Tray 1 (MP Tray) pickup solenoid

## Switches

The printer has three switches. Switches are used for printer operation control.

**Table 1-5 Switches**

<b>Component abbreviation</b>	<b>Component name</b>
SW101	Door open detection switch
SW102	Cassette media size switch
SW800	Test print switch

## Sensors

The printer has twelve sensors. Sensors are used for remote detection of various functions during printer operation.

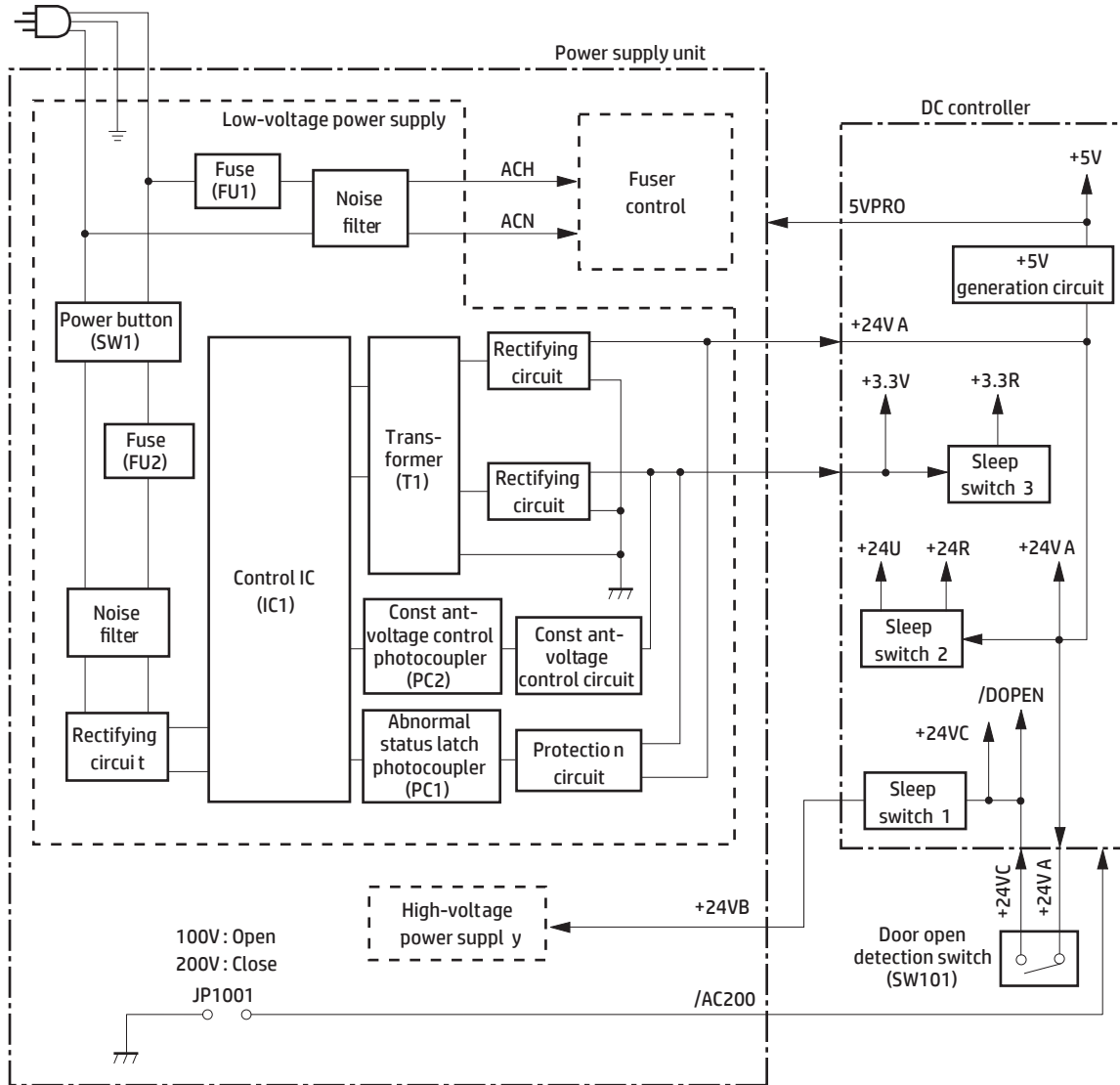
**Table 1-6 Sensors**

<b>Component abbreviation</b>	<b>Component name</b>
PS101	Cassette media presence sensor
PS102	Pre-feed sensor
PS103	Top-of-page sensor
PS104	Face-down tray media full sensor
PS105	Tray 1 (MP tray) media presence sensor
PS106	Media width sensor 1
PS107	Media stack surface sensor 1
PS108	Media width sensor 2
PS699	Fixing (fuser) pressure release sensor
PS700	Fixing (fuser) delivery sensor
PS907	Media stack surface sensor 2
TH3	Environmental sensor

## Low-voltage power supply

The low-voltage power-supply (LVPS) circuit converts the AC power from the wall receptacle into the DC voltage that the printer components use.

**Figure 1-4** Low-voltage power-supply circuit



## Low-voltage power supply voltages description

The low-voltage power supply converts the AC power into three DC voltages, which it then subdivides, as described in the following table.

**Table 1-7** Converted DC voltages

Main DC voltage	Sub-voltage	Behavior
+24 V	+24 VA	Constantly supplied
		Stopped during active OFF or inactive OFF

**Table 1-7 Converted DC voltages (continued)**

Main DC voltage	Sub-voltage	Behavior
+5 V	+24 VB	Interrupted when the right door is open (SW1)
	+24 VC	Interrupted when the right door is open (SW1)
	+5 VA	Constantly supplied
	+5 VB	Constantly supplied
+3.3 V	+5 VC	Constantly supplied
		Stopped during active OFF or inactive OFF
	+3.3 VA	Constantly supplied
	+3.3 VB	Constantly supplied
		Stopped during inactive OFF
	+3.3 VC	Constantly supplied
	Stopped during active OFF or inactive OFF	
	+3.3 VD	Constantly supplied
		Stopped during active OFF or inactive OFF

## Over-current/over-voltage protection

If a short-circuit or other problem on the load side causes an excessive current flow or generates abnormal voltage, the overcurrent/overvoltage protection systems automatically cut off the output voltage to protect the power-supply circuit.

**⚠ CAUTION:** If DC voltage is not being supplied from the low-voltage power supply, the protective function might be running. In this case, turn the power switch off and unplug the power cord.

Do not turn the power switch on until the root cause is found and corrected.

If the overcurrent or overvoltage protection system are activated and the power-supply circuit does not generate DC voltage, turn the power off, correct the problem, and then turn the printer on again.

The circuit has two fuses (FU1, FU2), which break and cut off the output voltage if overcurrent flows through the alternating current (AC) line.

## Sleep mode operation

Sleep mode conserves energy by stopping the power to several components when the printer is idle. If the DC controller detects voltage that is too high when the printer is in Sleep mode, it determines that the low-voltage power supply has failed, and it notifies the formatter.

## Low-voltage power supply failure detection

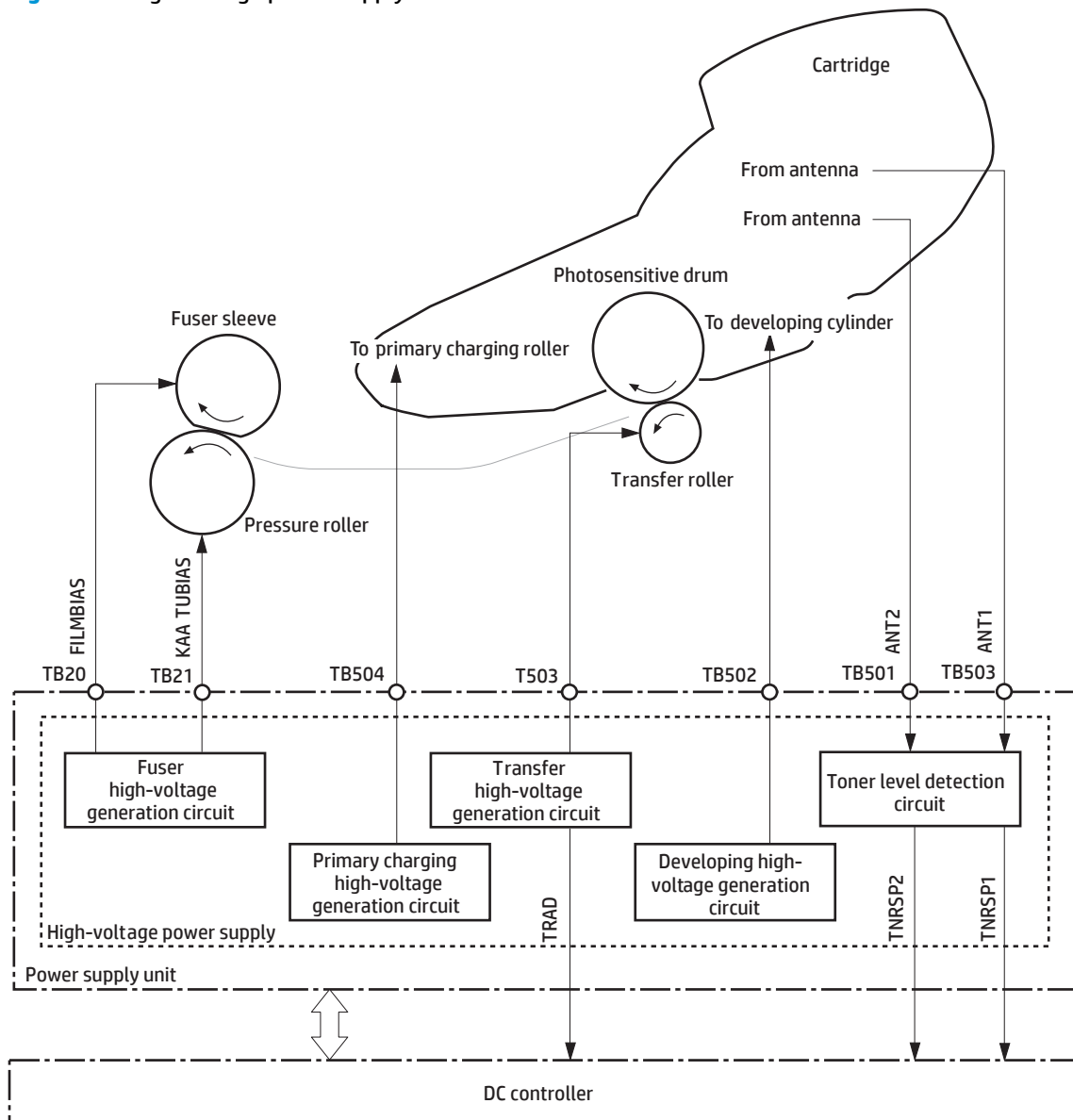
The DC controller determines a low-voltage power supply failure and notifies the formatter when the low-voltage power supply does not supply +24 V.

## High-voltage power supply

The DC controller controls the high-voltage power supply (HVPS) to generate biases. The high-voltage power supply delivers the high-voltage biases to the following components used to transfer toner during the image-formation process:

- Primary charging roller (in the toner cartridges)
- Developing roller (in the toner cartridge)
- Transfer roller
- Fuser roller
- Pressure roller

**Figure 1-5** High-voltage power supply circuits





## Fuser bias

The printer uses instant-on fusing. The fuser bias is DC positive for improved print quality. The fuser bias circuit is located in the high-voltage power supply.

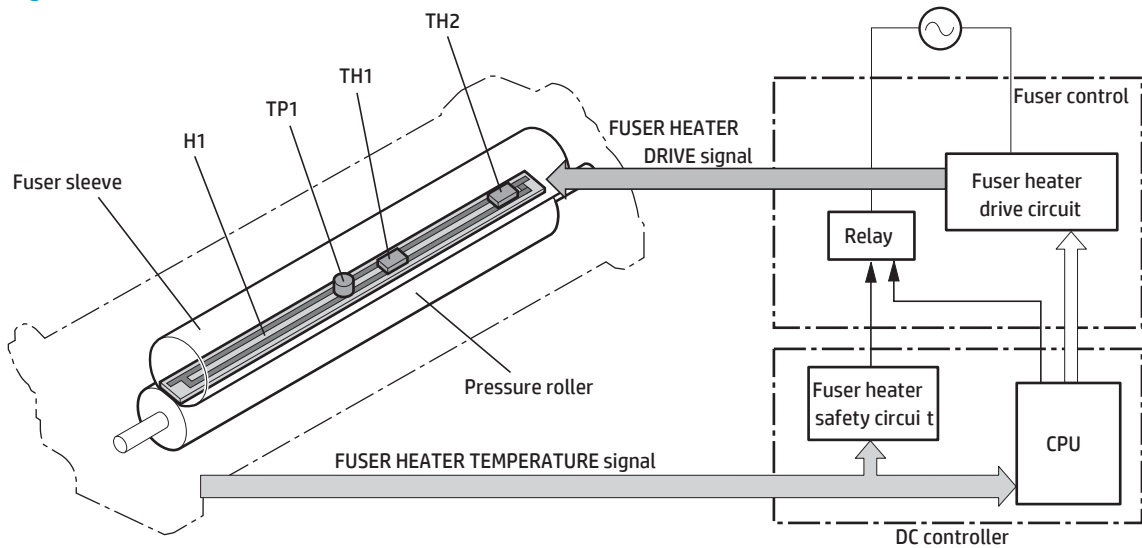
## Engine power supply

The power supply consists of the fuser-control circuit, the high-voltage circuit, and the low-voltage circuit. The fuser-control and high-voltage circuits control the temperature of the fuser and generate high voltage according to signals from the DC controller PCA. The low-voltage circuit generates the DC voltages that other components in the printer use (for example the DC controller PCA, the motors, and fans).

## Fuser-control circuit

The fuser-control circuit controls the fuser components. The two fuser heaters provide the high temperatures that cause the toner to permanently bond to the media. The fuser thermistor monitors the fuser temperatures. The thermal switch detects abnormally high fuser temperatures and interrupts the supply of voltage to the fuser if the temperature is too high.

Figure 1-6 Fuser control

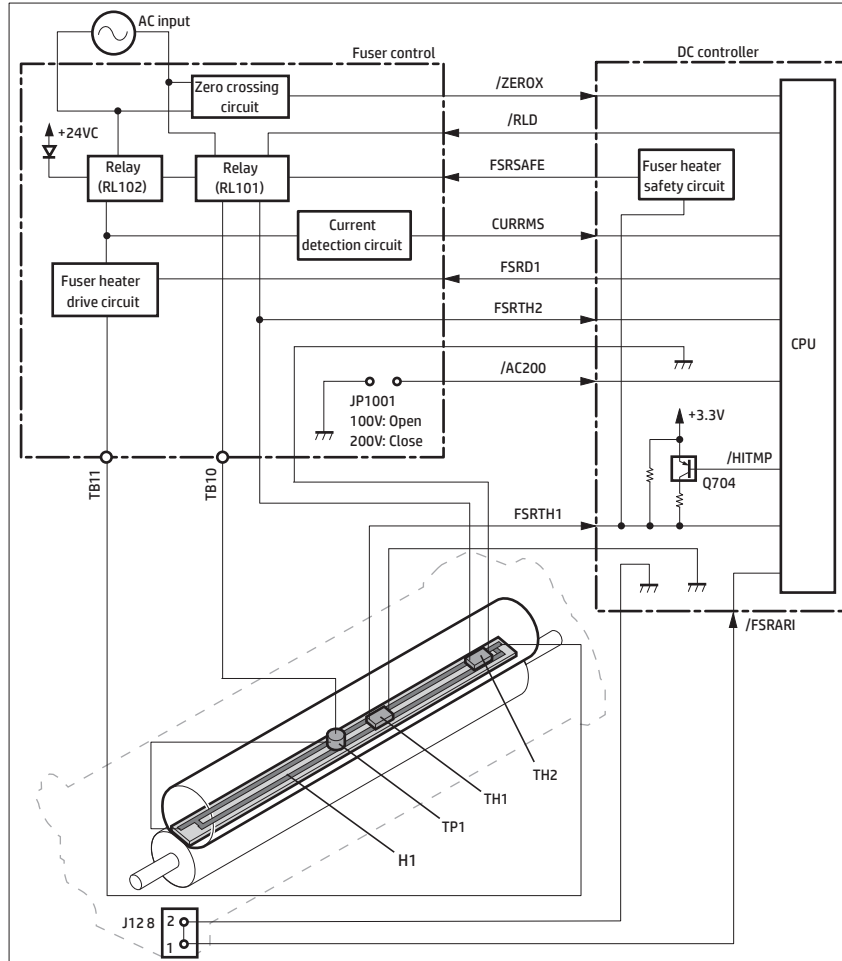


## Fuser temperature control

The fuser temperature control detects the temperature of the fuser heater surface, and then controls the FUSER HEATER DRIVE (FSRD1) signal to the fuser heater until the fuser heater temperature reaches the target temperature.

The DC controller controls the FSRD1 signal by monitoring the detected fuser heater temperature—using the thermistor (TH3)—and then holds the heater at the target temperature.

**Figure 1-7** Fuser temperature-control circuit



## Fuser unit life detection

The fuser life is tracked by fuser rotations, and not by the number of pages printed. This is a more accurate tracking method since the fuser rotates for every print job. There will be variations in fuser life depending on customer usage. Three-page, intermittent jobs optimize fuser life. Customers who are running one and two-page intermittent jobs with long pauses between each job might reach the fuser low message sooner due to the fuser rotating for each one-page job compared to every three pages.

## Fuser unit identification

The printer detects the type and presence of the fuser. The DC controller detects whether the fuser is installed and its type by monitoring the FIXING UNIT IDENTIFICATION signal when the printer is turned on or when the right door is closed. The DC controller determines a low-voltage power supply failure and notifies the formatter when it fails to detect the type or presence of the fuser.



**NOTE:** This printer detects if the correct fuser for the printer is installed. The fuser from a different printer can be installed in this printer, but it will not correctly function.

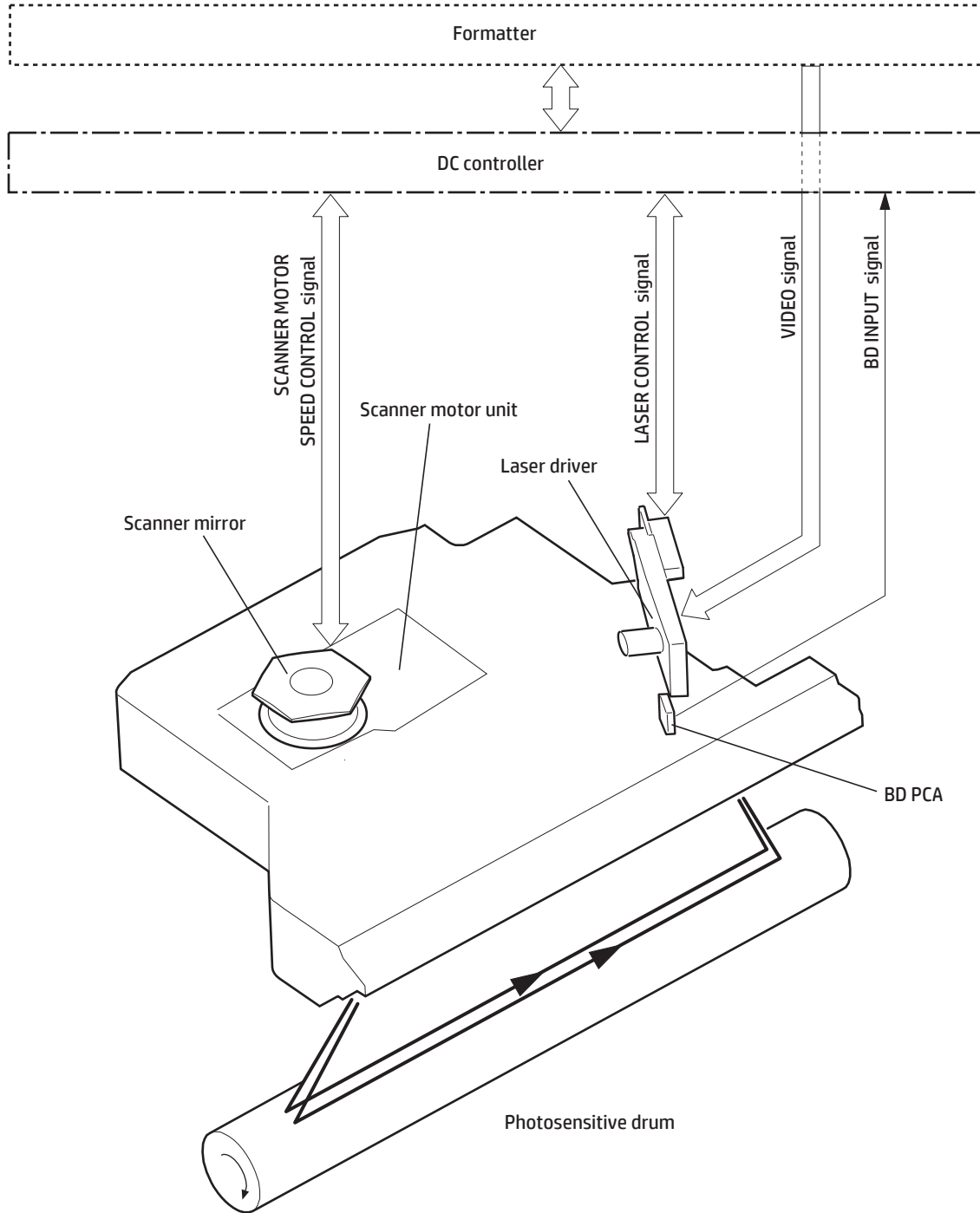
## Engine laser/scanner system

The laser/scanner system forms a latent image on the photosensitive drum according to the VIDEO signals sent from the formatter. The main components, such as the laser driver and scanner motor, are assembled as a laser/scanner unit and controlled by the DC controller. The DC controller allows the laser to emit light according to the VIDEO signals. The laser beam passes through the lenses and enters the scanner mirror that is rotating at constant speed. The laser beam is reflected by the scanner mirror, passes through the lenses, and scans on the photosensitive drum.

The DC controller receives instructions from the formatter regarding the image of the page to be printed. The DC controller signals the lasers to emit light, and the laser beams pass through lenses and onto the scanner mirror, which rotates at a constant speed. The mirror reflects the beam onto the photosensitive drum in the pattern required for the image, exposing the surface of the drum so it can receive toner.

The main components of the laser/scanner system are the laser assembly and the scanner motor assembly, which are controlled by signals sent from the DC controller.

**Figure 1-8** Laser/scanner system



The laser scanner uses two laser diodes to scan two lines simultaneously, producing high-speed laser scanning. After receiving the print command from the host computer, the DC controller PCA activates the scanner motor, which rotates the six-sided scanner mirror. The laser-driver PCA emits light from the two laser diodes according to signals from the DC controller PCA. The two laser beams strike the six sided scanning mirror and are directed through the focusing lenses and onto the photosensitive drum.

The modulated laser beams generate the latent electrostatic image on the photosensitive drum according to the image data signals that the DC controller PCA sends.

1. As it receives a print command from the formatter, the dc controller outputs the SCANNER MOTOR SPEED CONTROL signal (/ACC) and rotates the scanner motor in order to rotate the six sided mirror.
2. As the scanner motor starts rotating, the dc controller uses a LASER CONTROL signal (CNT0, CNT1, CNT2) to receive the /BD INPUT signal (/BDI) and force the laser to emit light . The dc controller detects the rotational speed of the scanner motor based on the timing the /BD1 signal is input and controls the speed to keep it constant.
3. While the scanner motor rotates at a constant speed, the dc controller passes the VIDEO signals from the formatter on to the laser driver PCA. The laser driver PCA emits light from the two laser diodes according to these signals: VDO1, /VDO1, VDO2, /VDO2.
4. The two laser beams pass through the collimator lens and cylindrical lens and strike the six-sided mirror that is rotating at a constant speed.
5. The laser beams, that are reflected off of the six-sided mirror pass through the focus lens and reflective mirror and focus on the photosensitive drum. The laser beams scan the drum surface at a constant speed.
6. As the six-sided mirror rotates and the laser beam scans the drum surface at a constant speed, a latent image forms on the drum surface.

## Laser failure detection

The DC controller determines a laser/scanner unit failure and notifies the formatter, if the laser/scanner unit encounters the following conditions:

- **Laser failure:** The laser intensity is not detected for a specified value when the laser is turned on for a specified period during the scanner unit start-up period.
- **BD failure:** The BD interval is out of a specified value during a print operation.
- **Scanner motor start-up failure:** The scanner motor does not reach a specified rotation within a specified period from when the scanner motor starts rotation.

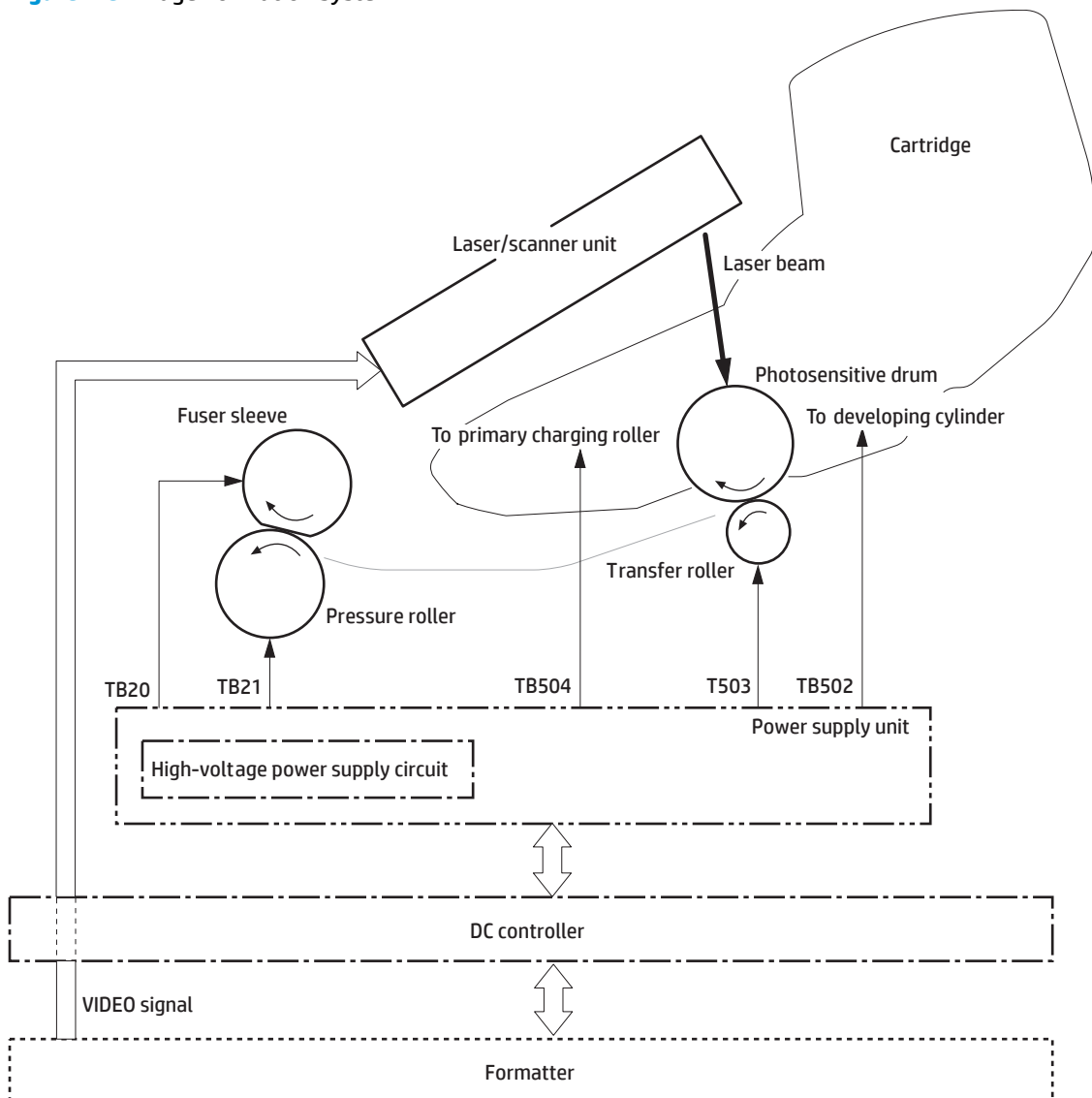
## Image formation process

The image formation system is the central hub of the printer. It also forms the toner image on the media.

- Toner cartridge
- Transfer roller
- Fuser

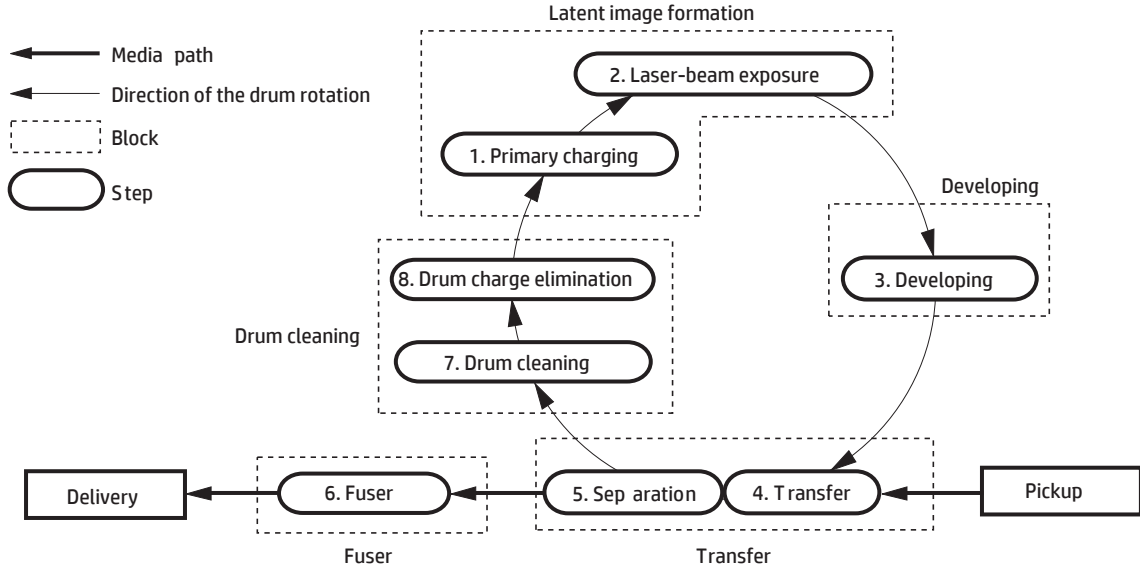
The DC controller controls the laser/scanner unit and high-voltage power supply to form an image on the media according to the VIDEO signals.

**Figure 1-9** Image-formation system



The image-formation system consists of 8 steps divided into five functional blocks.

**Figure 1-10** Image-formation process



**Table 1-8** Image formation process

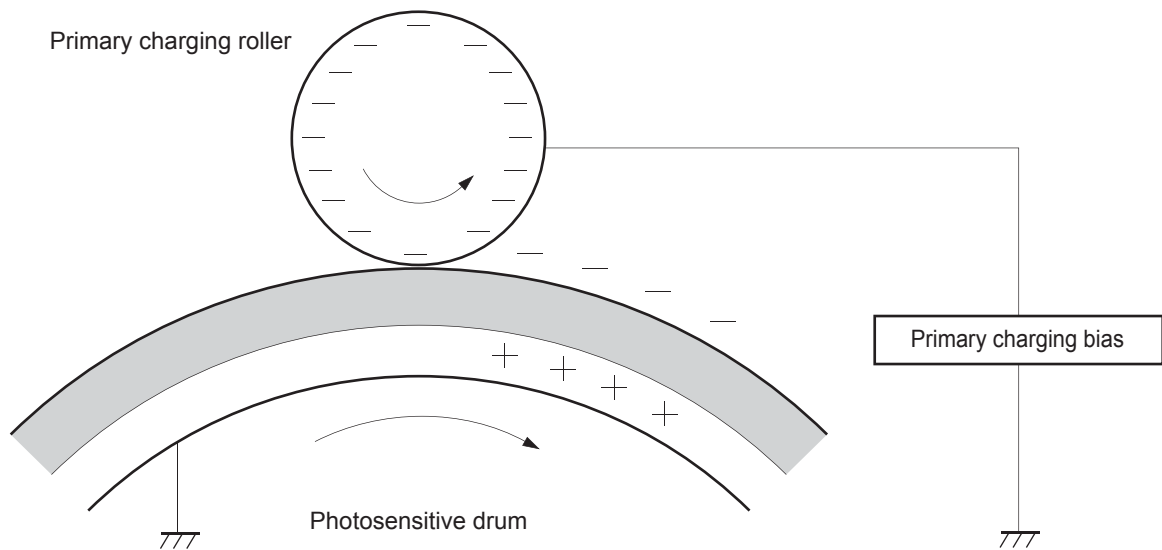
Functional block	Steps	Description
Latent image formation	1. Primary charging 2. Laser-beam exposure	An invisible latent image forms on the surface of the photosensitive drums.
Development	3. Development	Toner adheres to the electrostatic latent image on the photosensitive drums.
Transfer	4. Transfer 5. Separation	The toner image transfers to the paper.
Fusing	6. Fusing	The toner fuses to the paper to make a permanent image.
Drum cleaning	7. ITB cleaning 8. Drum charge elimination	Residual toner is removed from the drum.

## Step 1: Primary charging

The primary-charging roller contacts the photosensitive drum and charges the drum with negative potential.

To prepare for latent image formation, the surface of the photosensitive drum is charged with a uniform negative potential. The printer charges the photosensitive drum surface directly from the primary charging roller. The DC bias and AC bias are applied to the primary charging roller to maintain a constant charge on the drum surface.

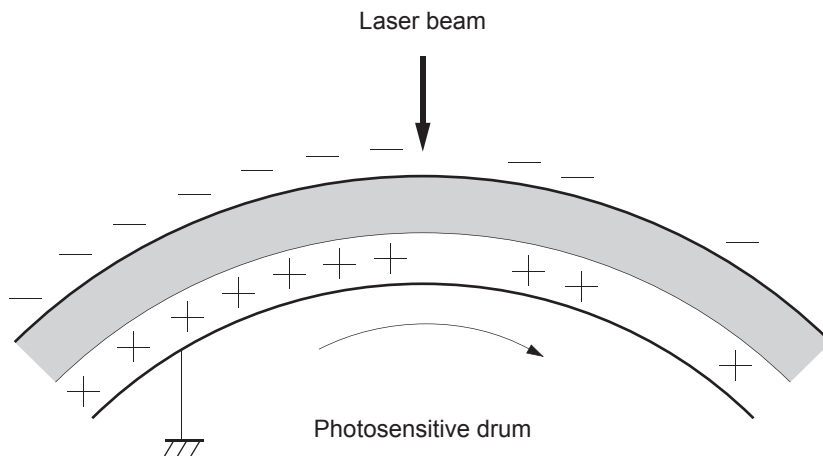
**Figure 1-11** Primary charging



### Step 2: Laser-beam exposure

The laser beam strikes the surface of the photosensitive drum in the areas where the image will form. The negative charge neutralizes in those areas, which are then ready to accept toner.

**Figure 1-12** Laser-beam exposure

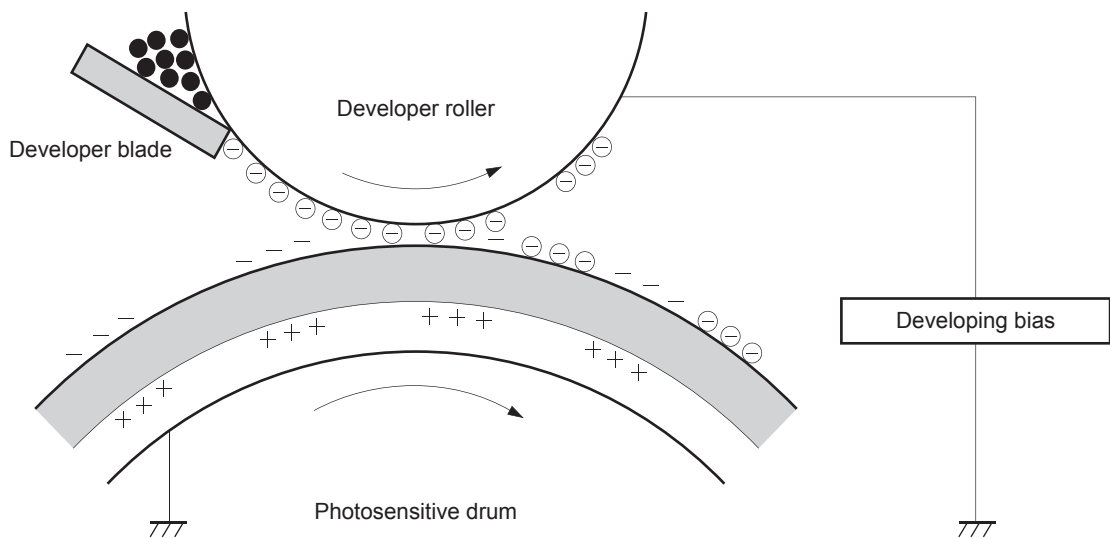


### Step 3: Development

Toner acquires a negative charge as the developing cylinder contacts the developing blade. Because the negatively charged surface of the photosensitive drums have been neutralized where they have been struck by the laser beam, the toner adheres to those areas on the drums. The latent image becomes visible on the surface of each drum.



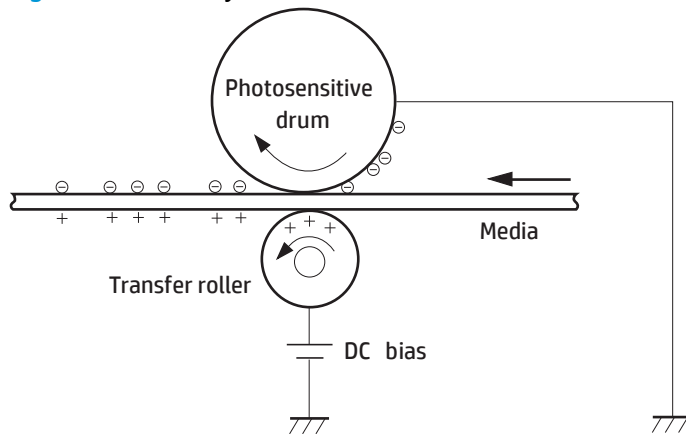
**Figure 1-13** Development



### Step 4: Transfer

The positive DC bias is applied to the transfer roller to charge the media positive. The positively charged media attracts the negatively charged toner from the photosensitive drum surface.

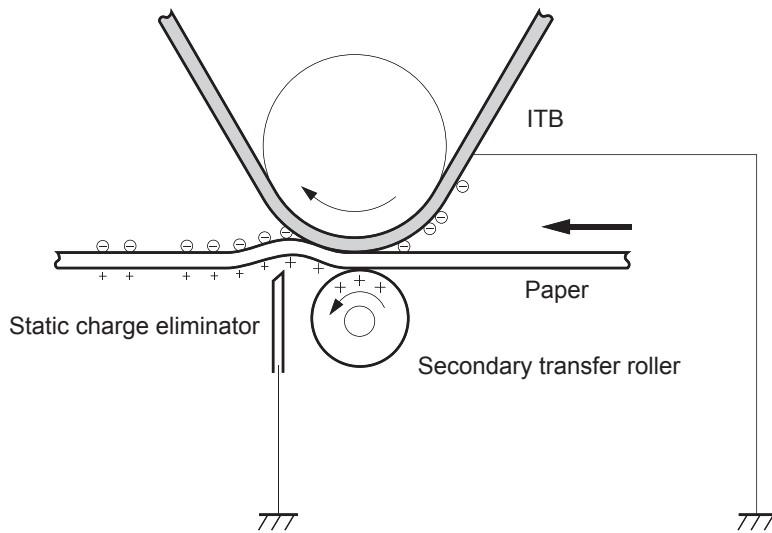
**Figure 1-14** Primary transfer



### Step 5: Separation

The curvature elasticity of the print media causes it to separate from the photosensitive drum surface. The static charge eliminator reduces back side static discharge of the media for stable media feed and image quality.

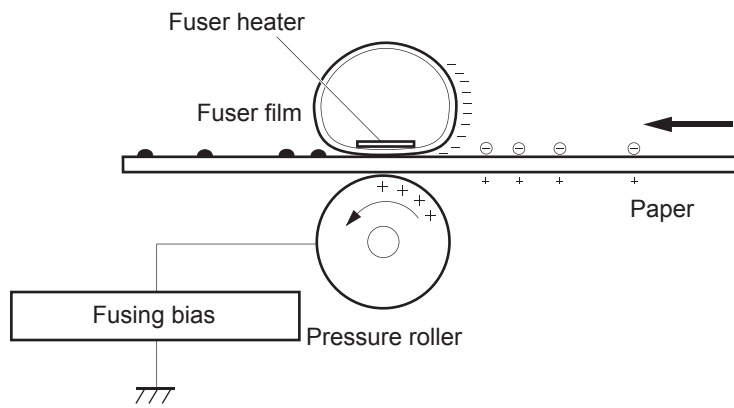
**Figure 1-15** Separation



### Step 6: Fusing

To create the permanent image, the paper passes through heated, pressurized rollers to melt the toner onto the page.

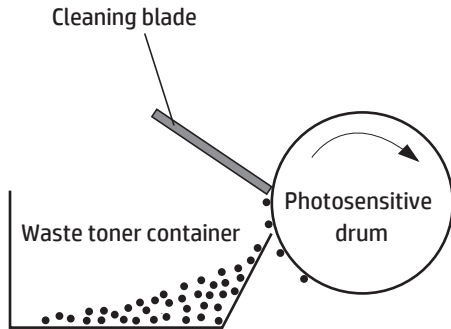
**Figure 1-16** Fusing



### Step 7: Drum cleaning

The cleaning blade scrapes the residual toner off the surface of the photosensitive drum and deposits it in the waste toner container.

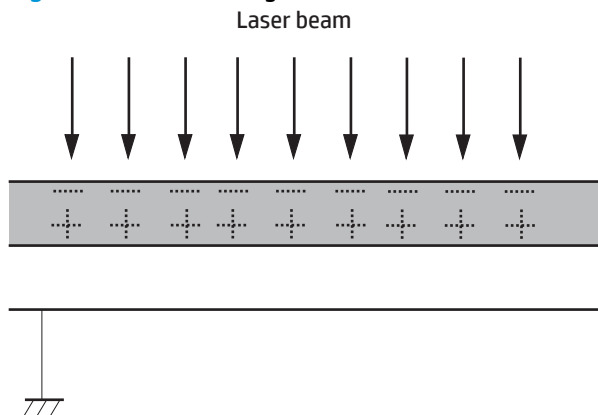
**Figure 1-17** Drum cleaning



### Step 8: Drum charge elimination

The residual charge on the photosensitive drum surface is eliminated to avoid uneven image. The residual charge of the previous image is left on the drum surface after the transfer operation and this affects the following image formation. The printer eliminates this residual charge by emitting a laser beam to the drum surface. The drum charge elimination is operated only during the last rotation period.

**Figure 1-18** Drum charge elimination



## Pickup, feed, and delivery system

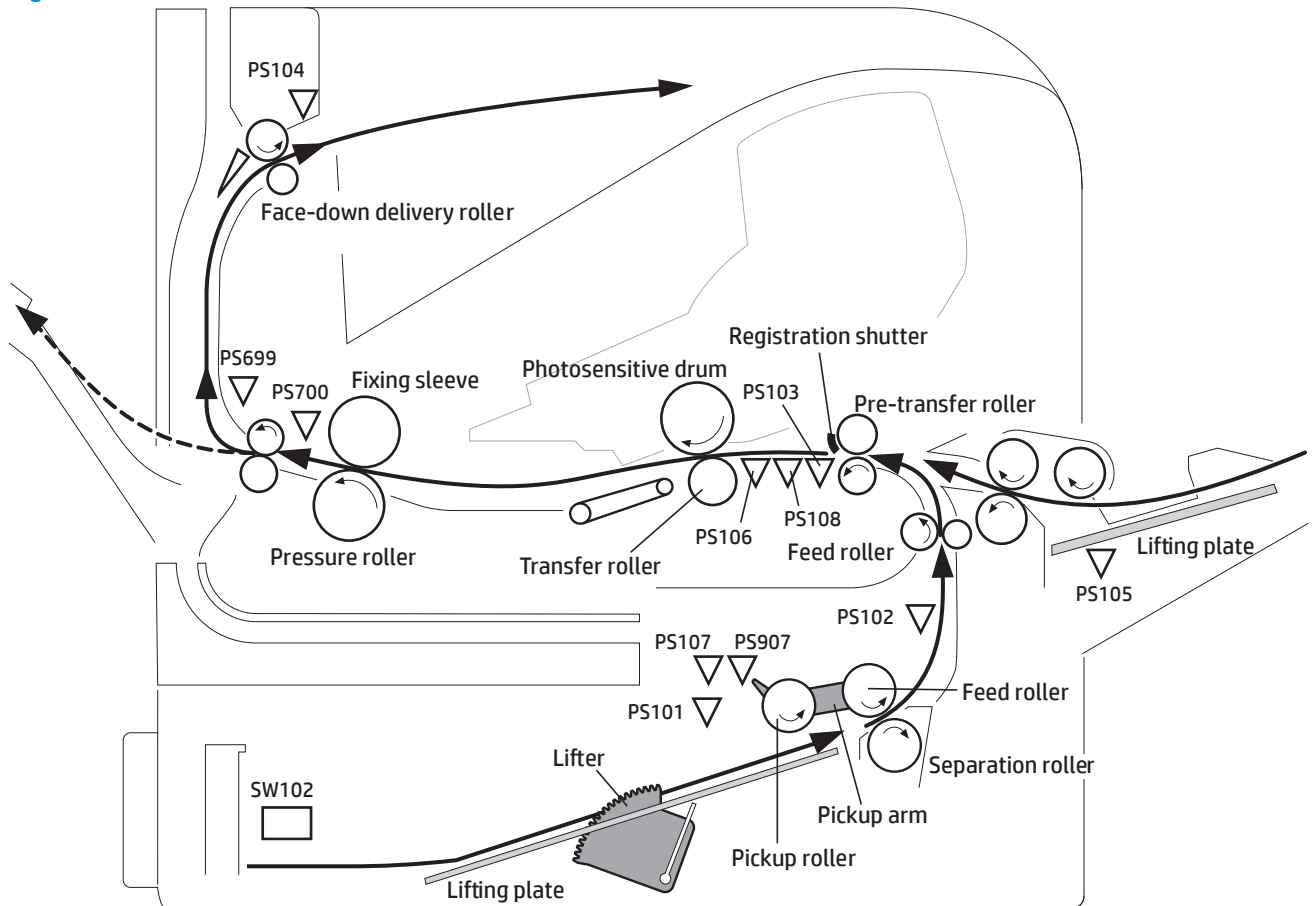
The DC controller controls the pickup, feed, and delivery system according to commands from the formatter. The pickup, feed, and delivery system uses a series of rollers to move the paper through the printer.

### Photo sensors and switches

The Tray 1 paper sensor (on the Tray 1 pickup assembly; PS105) detects media in Tray 1. The Tray 2 paper sensor (PS101) detects media in Tray 2. The paper-size switch (SW102) detects the media size that is loaded in Tray 2.

The pre-feed, top-of-page, and fuser-assembly delivery sensors (PS102, PS103, PS700) detect media arriving and passing along the paper path. If the media does not reach or pass these sensors within a specific amount of time, the microprocessor on the DC controller PCA halts the printer functions and a jam error message appears on the control-panel display.

**Figure 1-19** Photo sensors



### Motors, clutches, and solenoids

When it receives a print command from the host computer, the DC controller PCA turns on the feed motor (M101) power. The motor drives the Tray 2 pickup, feed, and separation rollers. The drum motor power also turns on. The laser/ scanner motor power turns on.

The DC controller PCA then activates the feed clutch (CL101) to rotate the feed roller. The Tray 2 pickup solenoid is activated (SL101) and the pickup arm descends. The pickup roller touches the media and a sheet is fed into the printer. The separation roller prevents multiple sheets of media from being fed at one time.


As the pre-feed sensor (PS102) detects the media, the dc controller PCA turns off the clutch, which stops the media. When the DC controller PCA detects that the laser/scanner is ready it activates the feed clutch again. The feed roller moves the media farther into the printer. The registration shutter corrects page skew and the media is transported to the designated output area.

## Tray 1 (multipurpose)/Tray 2 (base printer)

Moving paper from Tray 1 and Tray 2 involves the interaction of multiple components within the printer. The following sections describe these processes.

### Tray 1 paper pickup and feed

The printer picks up one sheet of paper from Tray 1.


 **NOTE:** Tray 1 and Tray 2 are optimal for paper pickup when using special paper or media other than 20lb plain paper. For Tray 1 and Tray 2 the printer increases the number of attempts to pickup a page, which increases the reliability of successfully picking the page from the tray and decreases the possibility of a mis-pick jam.

HP recommends using Tray 1 or Tray 2 if the printer is experiencing excessive or reoccurring jams from trays other than Tray 1 and Tray 2, or for print jobs that require media other than 20 lb plain paper.

The Tray 1 paper sensor (PS105) detects the presence of media in Tray 1. When the DC controller PCA receives the print command, the printer starts the initial rotation phase, which consists of feed motor warm-up, scanner motor warm-up, high-voltage control sequence, and fuser warm-up. When the initial rotation phase ends, the Tray 1 pickup solenoid (SL102) is activated.

The cam rotates, the paper-tray lifter rises, and the media comes in contact with the Tray 1 pickup roller. At the same time, the Tray 1 pickup roller rotates twice and picks up a sheet of media from Tray 1. The separation pad prevents additional sheets from feeding with the first sheet.

The sheet then reaches the registration assembly, where its skew is corrected. The sheet then passes through the transfer, separation, and fusing stages; through the delivery unit; and is to the output bin.

 **NOTE:** If media is removed from Tray 1 after the initial rotation phase, but before the pickup roller pulls the media from the tray, the Tray 1 pickup roller might continue to rotate up to six times, after which a jam detected.

### Tray 2 paper presence detection

The media size detection switch (SW102) detects the presence and size of paper loaded in the tray.

The media size detection switch—comprised of three switches: upper, center, and lower—is active when the tray paper size plate is correctly positioned to the loaded paper size and the tray is installed in the printer. The DC controller determines the paper size by monitoring the switch conditions.

The DC controller determines a size mismatch and sends a signal to the formatter if the switches detect a paper size that is different from the size specified by the formatter.


**Table 1-9 Media presence and size detection (Tray 2 and 1x500- sheet feeder)**

Media size	Media size switch settings
------------	----------------------------

**Table 1-9 Media presence and size detection (Tray 2 and 1x500- sheet feeder) (continued)**

	Upper	Center	Lower
No cassette			
A4	Off	Off	On
B5	Off	Off	On
A5	On	Off	Off
Legal	On	On	Off
Letter	Off	On	Off
Executive	On	Off	On

## Tray 2 paper pickup and feed

 **NOTE:** Tray 1 and Tray 2 are optimal for paper pickup when using special paper or media other than 20lb plain paper. For Tray 1 and Tray 2 the printer increases the number of attempts to pickup a page, which increases the reliability of successfully picking the page from the tray and decreases the possibility of a mis-pick jam.

HP recommends using Tray 1 or Tray 2 if the printer is experiencing excessive or reoccurring jams from trays other than Tray 1 and Tray 2, or for print jobs that require media other than 20lb plain paper.

When the DC controller PCA receives the print command, the feed motor (M101) and scanner motor start their rotation. When the feed motor reaches its prescribed speed, the feed roller clutch (CL101) and Tray 2 pickup solenoid (SL101) are activated. (The feed motor rotation drives the Tray 2 pickup roller, Tray 2 feed roller, Tray 2 separation roller, and paper-feed rollers.)

The Tray 2 pickup roller, which the pickup solenoid activates, rotates once and picks up the media in the tray. The separation roller prevents additional sheets from feeding with the first sheet, and the media is fed to the pre-feed sensor (PS102).

The sheet then reaches the registration assembly, where its skew is corrected. The sheet then passes through the transfer, separation, and fusing stages; through the delivery unit; and to the output bin.

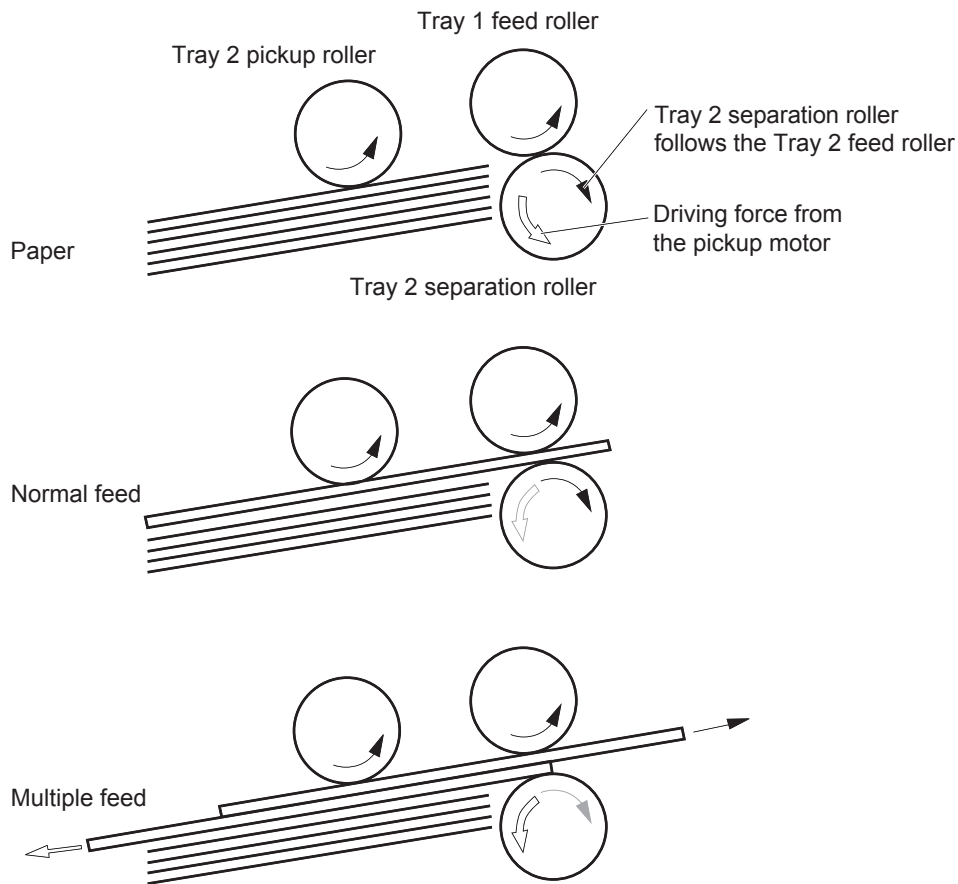
## Tray 2 multiple-feed prevention

The printer uses a separation roller method to prevent multiple sheets of print media from entering the paper path.

During normal feed, when the printer picks up one piece of paper, the Tray 2 separation roller is driven by the Tray 2 pickup roller through one sheet of paper. Thus, the separation roller rotates in the paper feed direction.

During multiple feed, when the printer picks up more than one piece of paper, the low friction force between the sheets weakens the driving force from the Tray 2 pickup roller is not enough to rotate the separation roller. In addition, some braking force is always applied to the Tray 2 separation roller, so the weak rotational force of the pickup roller is not enough to rotate the separation roller. Therefore, the separation roller is driven by its own driving force and holds back any multiply-fed sheets from Tray 2 and one sheet of paper feeds into the printer.

**Figure 1-20** Tray 2 multiple-feed prevention



### Tray 2 tray presence detection

The media size detection switch (SW102) detects the presence of the tray.

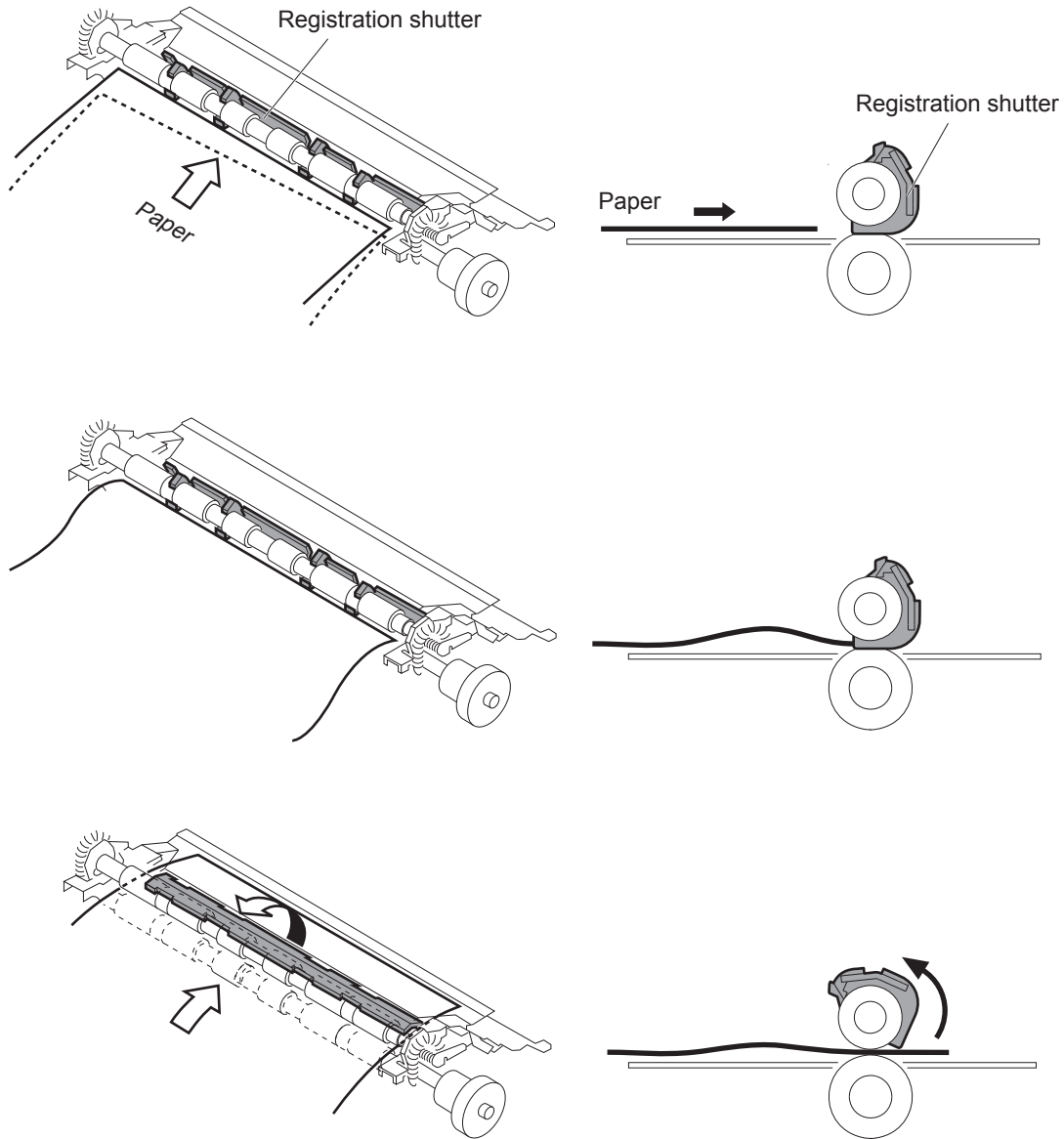
The media size detection switch—comprised of three switches: upper, center, and lower—is active when the cassette is installed in the printer.

### Tray 2 skew feed prevention

The printer can straighten the paper without slowing the feed operation.

1. The leading edge of paper strikes the registration shutter, and the leading edge is aligned with the shutter.
2. As the feed rollers keep pushing the paper, the paper warps.
3. When the force is great enough, the registration shutter opens, and the paper passes through and straightens.

**Figure 1-21** Skew-feed prevention



## Duplexer

The duplexing unit reverses the paper and feeds it through the paper path to print the second side.

### Duplexing reverse and duplex feed control

The duplexer has two motors: the duplex reverse motor (M1501) and the duplex re-pickup motor (M1502). The duplex driver controls forward and reverse the duplex re-pickup motor rotations. When the duplex re-pickup motor rotates, the rollers in the duplexer rotate and when it reverses, the side registration guide moves.

The duplex reverse motor rotates or reverses the face-down delivery roller of the printer.

In addition, the duplexer has three photo interrupters: the face-up sensor (PS1501), duplex media re-pickup sensor (PS1502), and the side registration guide home-position sensor (PS1503). The face-up sensor is used

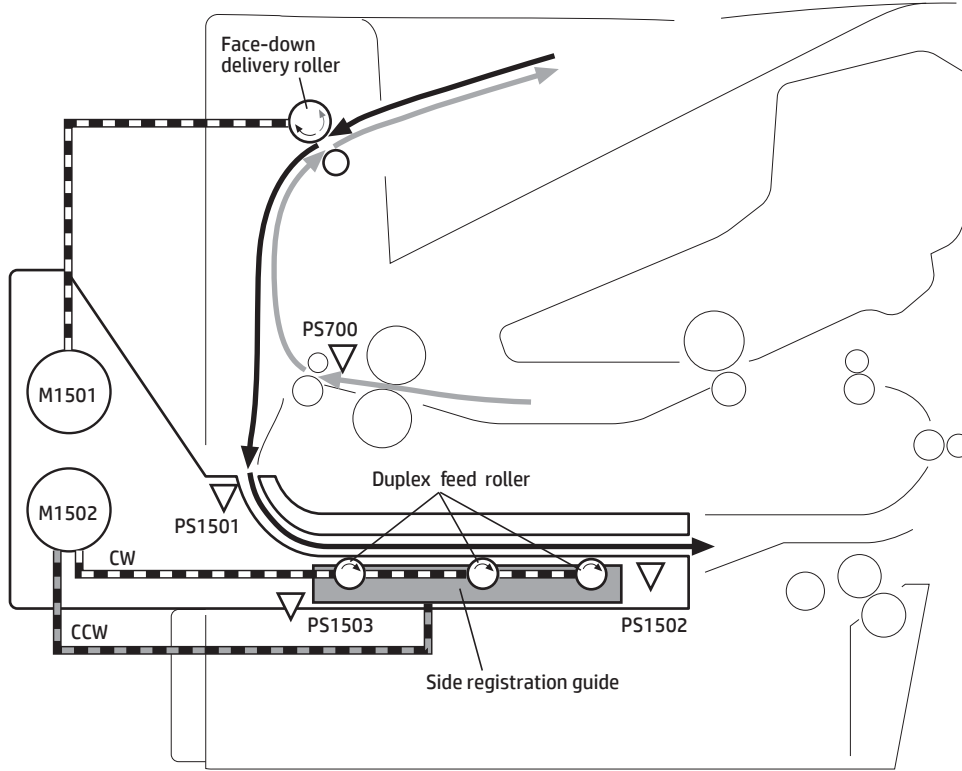


for face-up tray open detection, the duplex media re-pickup sensor is used for jam detection, and the side registration guide home-position sensor is used for side registration guide home-position detection.

1. The duplex driver reverses the duplex re-pickup motor (M1502) when it receives a side registration adjustment command from the DC controller. See [Side registration adjustment operation \(DP\) on page 34](#).
2. The DC controller outputs a duplex reverse motor rotation command to the duplex driver after a specified period from when the fuser delivery sensor (PS700) of the printer detects the leading edge of the page.
3. The duplex driver rotates the duplex reverse motor (M1501) and the page is fed to the face-down tray when the command is received.
4. The DC controller outputs a duplex reverse motor reverse command to the duplex driver after a specified period from when the fuser delivery sensor detects the trailing edge of a page.
5. The duplex driver reverses the duplex reverse motor and the page is fed to the duplexer along the side registration guide when the command is received.
6. The duplex driver rotates the duplex re-pickup motor after a specified period from when it reverses the duplex reverse motor. The media is fed by the oblique roller and the duplex feed rollers so that the edge contacts with the left plate to correct a skewed feed.
7. The duplex driver stops the duplex reverse motor after a specified period from when the DC controller reverses the duplex reverse motor.
8. The duplex driver stops the duplex re-pickup motor after a specified period from when the duplex media re-pickup sensor (PS1502) detects the leading edge of the page.
9. The duplex driver rotates the duplex re-pickup motor when it receives a duplex re-pickup command from the DC controller. The page is fed to the pre-feed sensor (PS102) of the printer at the same printer feed speed.
10. The duplex driver stops duplex re-pickup motor after a specified period from when the duplex media re-pickup sensor detects the trailing edge of the page.

The DC controller determines a print error and delivers media to the delivery tray without duplex printing if it encounters following conditions after the page is picked up for the first side printing.

**Figure 1-22** Duplex block diagram



Description	Signal	Driver
DP reverse motor	M1501	DUPLEX REVERSE MOTOR DRIVE signal
DP re-pick motor	M1502	DUPLEX RE-PICK MOTOR signal
Face-up sensor	M1501	FACE-UPsignal
DP media re-pick sensor	M1502	DUPLEX MEDIA RE-PICK signal
Side registration guide home-position sensor	M1503	SIDE REGISTRATION GUIDE HOMEPOSITION signal

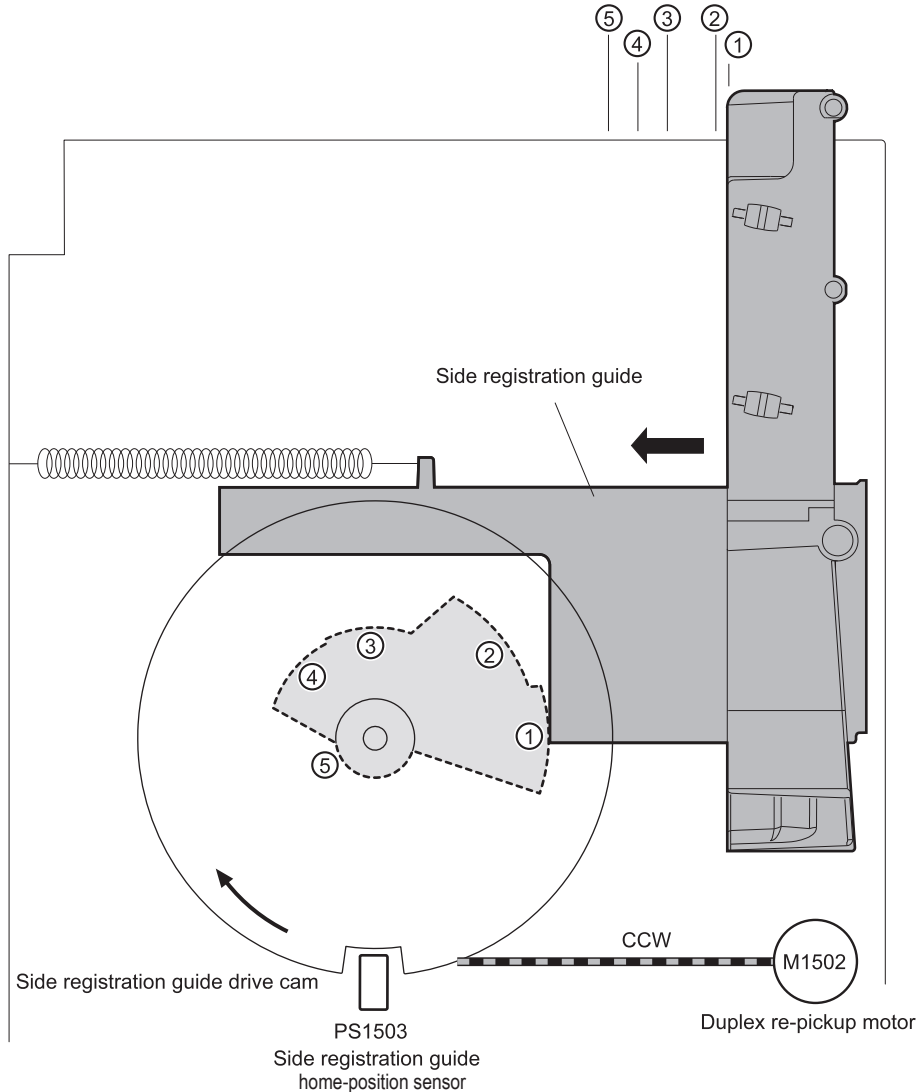
### Side registration adjustment operation (DP)

The printer adjusts the side registration during a duplex print operation to align the center of the horizontal scanning on the second side with that of the print area on the photosensitive drum.

The side registration adjustment is made by moving the side registration guide to the designated page size of the side registration adjustment command. The side registration guide moves to the following five positions depending on the media size in order of numbers 1 to 5 and then back to 1.

1. Letter or Legal (home position)
2. A4
3. Executive
4. B5
5. A5

**Figure 1-23** Side registration adjustment operation (DP)



The sequence of the side registration adjustment operation is as follows:

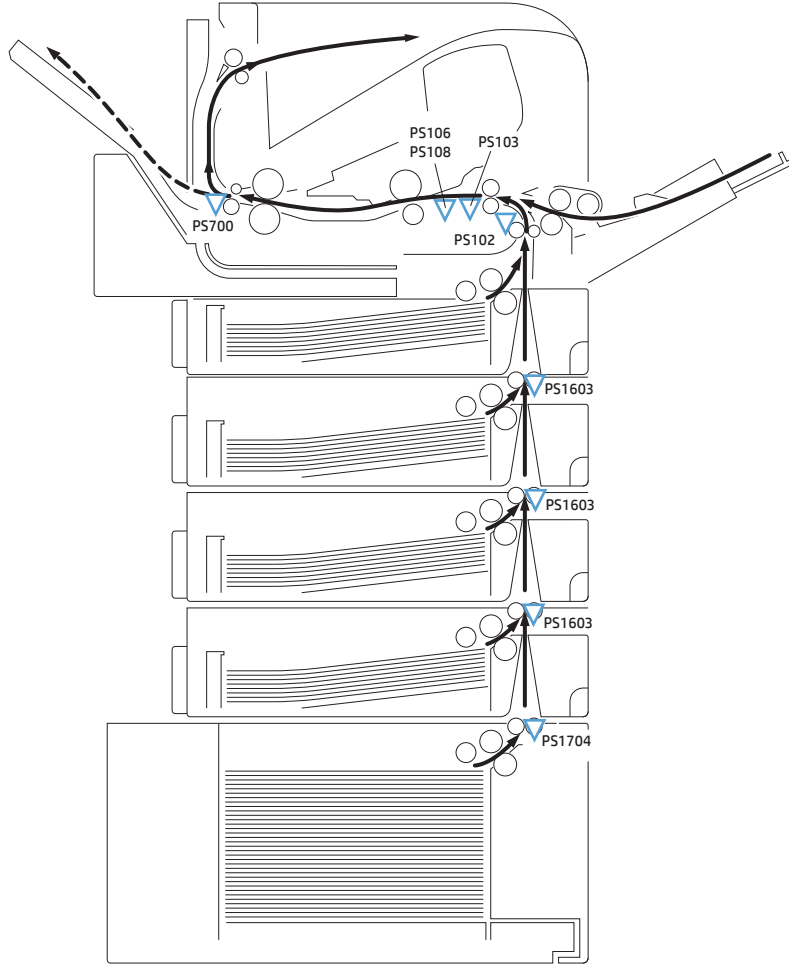
1. The duplex driver reverses the duplex re-pickup motor (M1502) when it receives a side registration adjustment command from the DC controller.
2. The side registration guide drive cam rotates and the side registration guide home-position sensor (PS1503) detects the home position of the side registration guide. Then the side registration guide moves depending on the media size.
3. The duplex driver stops the duplex re-pickup motor and completes the side registration guide movement.

The duplex driver determines a side registration guide failure and notifies the DC controller when the side registration guide home-position sensor does not detect the home position after the side registration guide drive cam rotates twice.

## Jam detection/prevention

The printer uses the following sensors to detect the presence of media and to check whether media is being fed correctly or has jammed.

**Figure 1-24** Jam detection sensors



PS102: Pre-feed sensor	PS108: Media width sensor 2	PS1704: Media path sensor (paper deck)
PS103: Top of page sensor	PS700: Fuser delivery sensor	
PS106: Media width sensor 1	PS1603: Media path sensor (paper feeder)	

The printer determines a jam if the sensor detects paper presence at a specified timing stored in the DC controller.

The DC controller stops a print operation and notifies the formatter when it determines a jam occurrence.

The printer detects the following jams.

**Table 1-11** Jams that the printer detects

Jam	Description
Pickup delay jam 1	a. Standard equipped tray

**Table 1-11 Jams that the printer detects (continued)**

Jam	Description
	<p>The top of page sensor (PS103) does not detect the leading edge of media within a specified period from when the pre-feed sensor (PS102) detects the leading edge.</p> <p><b>b.</b> Pickup option</p> <p>The top of page sensor (PS103) does not detect the leading edge of media within a specified period from when the feed clutch (CL101) is turned on.</p> <p><b>c.</b> Tray 1 (MP tray)</p> <p>The top of page sensor (PS103) does not detect the leading edge of media within a specified period from when the MP tray pickup solenoid (SL102) is turned on.</p>
Pickup delay jam 2	<p><b>a.</b> Standard equipped tray</p> <p>The pre-feed sensor (PS102) does not detect the leading edge of media within a specified period from when a pickup operation starts.</p> <p><b>b.</b> Top pickup source of pickup option</p> <p>The PF media path sensor (PS1603) for the top PF cassette or the PD media path sensor (PS1704) does not detect the leading edge of media within a specified period from when a pickup operation starts.</p> <p><b>c.</b> Lower pickup sources of pickup option</p> <p>The PF media path sensor (PS1603) for the top PF cassette does not detect the leading edge of media within a specified period from when the PF media path sensor (PS1603) or the PD media path sensor (PS1704), either one of that equipped to the pickup source that picks up the media, detects the leading edge of media.</p>
Pickup delay jam 3	<p>The PF media path sensor (PS1603) or PD media path sensor (PS1704), either one of that equipped to the pickup source that picks up the media, does not detect the leading edge of media within a specified period from when a pickup operation from the lower pickup sources of the pickup option.</p>
Pickup stationary jam	<p><b>a.</b> Top of page sensor detection</p> <p>The top of page sensor (PS103) does not detect the trailing edge of media within a specified period from when it detects the leading edge.</p> <p><b>b.</b> Media width sensors detection</p> <p>Both of the media width sensors (PS106, PS108) do not detect the trailing edge of media within a specified period from when the top of page sensor (PS103) detects the trailing edge.</p>
Delivery delay jam	<p>The fuser delivery sensor (PS700) does not detect the leading edge of media within a specified period from when the top of page sensor (PS103) detects the leading edge.</p>
Delivery stationary jam	<p>The fuser delivery sensor (PS700) does not detect the trailing edge of media within a specified period from when the top of page sensor (PS103) detects the trailing edge.</p>
Residual media jam 1	<p><b>a.</b> Either one of the following sensors detects media presence when the wait sequence starts:</p>

**Table 1-11 Jams that the printer detects (continued)**

Jam	Description
	<ul style="list-style-type: none"><li>• Top of page sensor (PS103)</li><li>• Media width sensors (PS106, PS108)</li><li>• Fuser delivery sensor (PS700)</li></ul> <p><b>b.</b> The fuser delivery sensor (PS700) detects media presence before the top of page sensor (PS103) or the media width sensor (PS106, PS108) detects leading edge of media during an automatic delivery operation.</p> <p><b>NOTE:</b> The automatic delivery delivers the deliverable residual media automatically during the initial rotation period when the power is turned on or when the door is closed. The DC controller sends an automatic delivery request to the formatter and stops a print operation when it determines that there is deliverable residual media. Then the formatter sends an automatic delivery command and the DC controller drives media feed system to deliver the residual media out of the printer.</p> <p><b>c.</b> Either one of the following sensors detects media presence during an automatic delivery operation:</p> <ul style="list-style-type: none"><li>• Pre-feed sensor (PS102)</li><li>• Top of page sensor (PS103)</li><li>• Media width sensors (PS106, PS108)</li><li>• Fuser delivery sensor (PS700)</li><li>• PF media path sensor (PS1603)</li><li>• PD media path sensor (PS1704)</li></ul> <p><b>d.</b> The door open is detected when either one of the following sensors detects media presence during an automatic delivery operation:</p> <ul style="list-style-type: none"><li>• Top of page sensor (PS103)</li><li>• Media width sensors (PS106, PS108)</li><li>• Fuser delivery sensor (PS700)</li></ul> <p><b>e.</b> A stop control command is received when either one of the following sensors detects media presence during an automatic delivery operation:</p> <ul style="list-style-type: none"><li>• Pre-feed sensor (PS102)</li><li>• Top of page sensor (PS103)</li><li>• Media width sensors (PS106, PS108)</li><li>• Fuser delivery sensor (PS700)</li><li>• PF media path sensor (PS1603)</li><li>• PD media path sensor (PS1704)</li></ul>
Residual media jam 2	<p><b>a.</b> Either one of the following sensors detects media presence when a print operation completes:</p> <ul style="list-style-type: none"><li>• Pre-feed sensor (PS102)</li><li>• Top of page sensor (PS103)</li><li>• Media width sensors (PS106, PS108)</li></ul>

**Table 1-11 Jams that the printer detects (continued)**

Jam	Description
	<ul style="list-style-type: none"><li>• Fuser delivery sensor (PS700)</li><li>• PF media path sensor (PS1603)</li><li>• PD media path sensor (PS1704)</li></ul> <p><b>b.</b> A stop control command is received from the formatter after a pickup operation has started.</p>
Door open jam	The door open is detected after a pickup operation has started.
Wrapping jam	The fuser delivery sensor (PS700) detects media absence before it detects the trailing edge of media after a specified period from when it detects the leading edge.

### Fuser wrapping jam detection

The printer includes controls for detecting when a jam occurs causing the paper to wrap around the fuser roller.

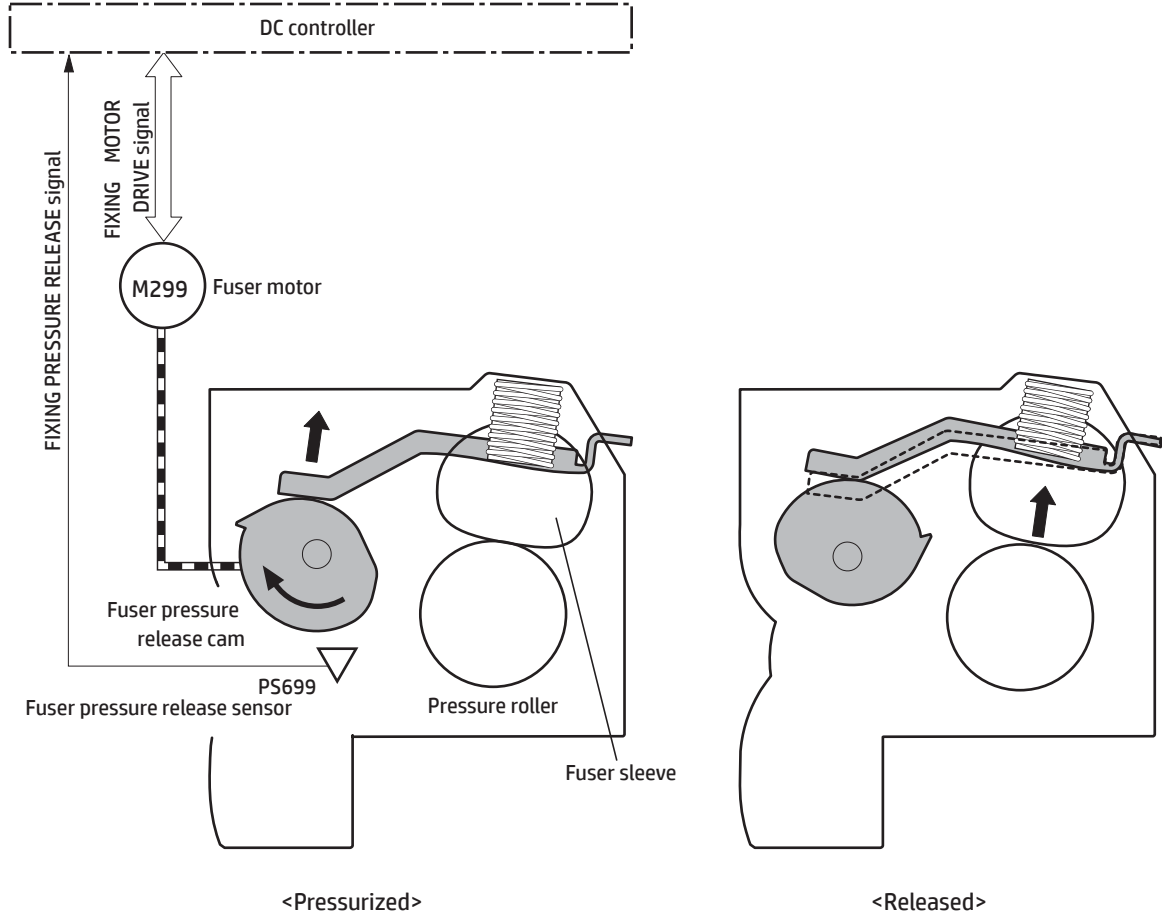
### Pressure roller pressurization and depressurization control

The printer releases the pressure roller except during a print operation to improve usability for jammed paper removal.

The DC controller reverses the fuser motor (M299) to rotate the fuser pressure release cam. The pressure roller is pressurized or depressurized due to the shape of the cam.

The DC controller reverses the fuser motor to control the pressure roller pressurize or depressurize state according to the signal sent from the fuser pressure release sensor (PS699).

**Figure 1-25** Pressure roller pressure release control




The pressure roller depressurizes under the following conditions:

- When a paper jam is detected
- Factory shipment

The DC controller determines a fuser pressure release mechanism failure and notifies the formatter if the fuser roller release control is not completed within a specified period when it reverses the fuser motor.



# Input accessories

 **NOTE:** The printer accepts up to four 1 x 500-sheet feeders, or three 1 x 500-sheet feeders and one 1,500-sheet high capacity input tray.

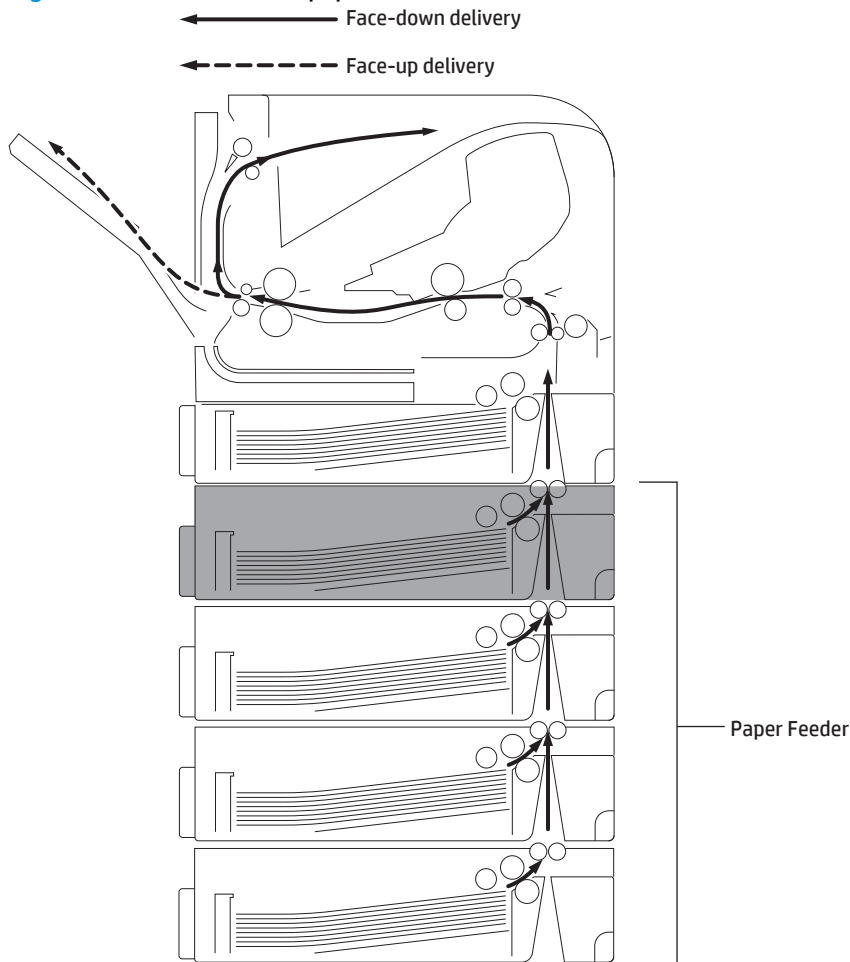
---

- [Trays 3-6](#)
- [High-capacity input \(HCI\) feeder](#)
- [Envelope feeder](#)
- [Duplexer](#)

## Trays 3-6

The 1 x 500-sheet paper feeder (PF) is optionally installed at the bottom of the printer. It features paper pickup and paper feeding to the printer. The printer supports up to four optional paper feeders.

**Figure 1-26** 1 x 500-sheet paper feeder



## Trays 3-6 driver PCA

The paper feeder driver controls the operational sequence of the paper feeder and the serial communication with the DC controller of the printer.

The DC controller sends several commands to the paper feeder driver at necessary timing. The paper feeder driver drives each load, such as motor and solenoid, according to the commands. The paper feeder driver responds the status information of the paper feeder to the DC controller.

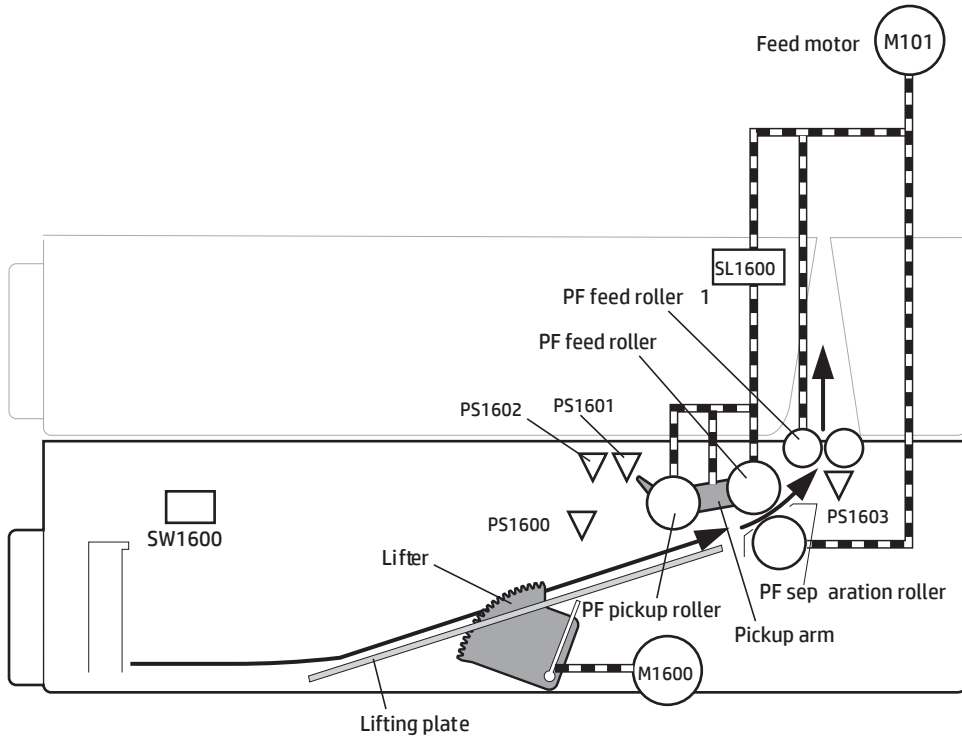
The DC controller determines a paper feeder illegal connection and notifies the formatter if it does not make the serial communication with the paper feeder driver during the pre-rotation period when the printer is turned on, when recovering from the Sleep mode or when the door is closed.

The printer supplies DC24V to the paper feeder. The DC3.3V for sensors and ICs is generated from the DC24V in the paper feeder driver.

## Trays 3-6 motor control

The paper feeder uses same mechanism of the printer for the pickup-and-feed operation. The rollers used in the paper feeder are driven by the feed motor (M101) of the printer through the gears.

**Figure 1-27** 1 x 500-sheet paper feeder block diagram

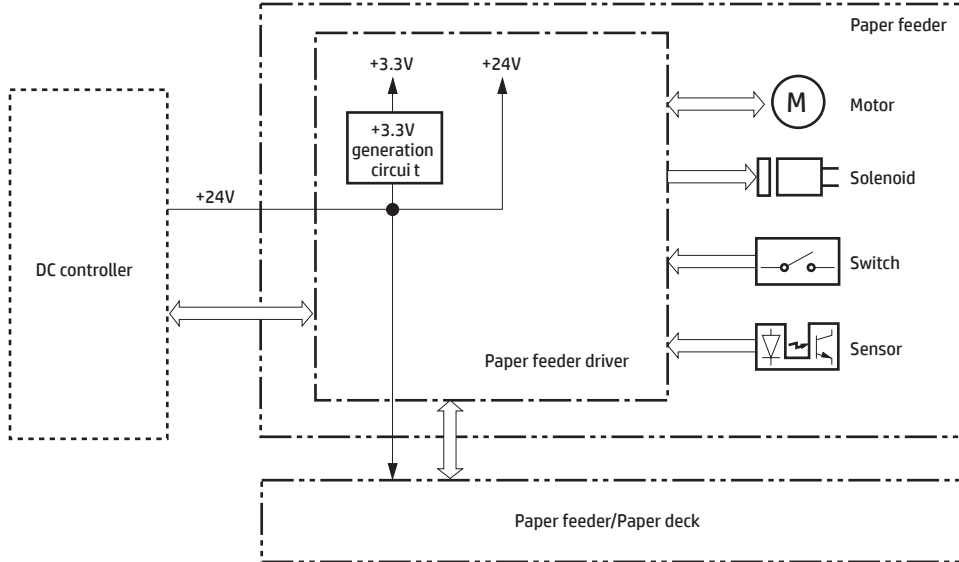


Description		Signal	Driver
PF lifter motor	M1600	PF LIFTER MOTOR DRIVE signal	PF driver
PF media presence sensor	PS1600	PF MEDIA PRESENCE signal	PF driver
Paper feeder media stack surface sensor 1	PS1601	PF MEDIA STACK SENSOR 1 signal	PF driver
Paper feeder media stack surface sensor 2	PS1602	PF MEDIA STACK SENSOR 2 signal	PF driver
Paper feeder media path sensor	PS1603	PF MEDIA PATH signal	PF driver
Paper feeder pickup solenoid	SL1600	PF PICKUP SOLENOID signal	PF driver
Paper feeder media size switch	SW1600	PF MEDIA SIZE signal	PF driver

## Trays 3-6 electrical components

The paper feeder motors, solenoids, sensors, and switches, are described in the following figure and table.

**Figure 1-28** 1 x 500-sheet paper feeder circuit diagram



Component	Description	
Motor	M1600	Paper feeder lift motor
Sensor	PS1600	Paper feeder media presence sensor
	PS1601	Paper feeder media stack surface sensor 1
	PS1602	Paper feeder media stack surface sensor 2
	PS1603	Paper feeder media path sensor
Solenoid	SL1600	Paper feeder pickup solenoid
Switch	SW1600	Paper feeder media size switch

### Trays 3-6 media size detection

The media size for the trays 3-6 is detected in the same way as that of the printer base.

### Trays 3-6 paper pickup

The 1 x 500-sheet paper feeder picks up one sheet from the paper-feeder tray and feeds it to the printer.

1. The lifting plate moves up to the position where the paper can be picked up after the printer is turned on or the paper feeder cassette is installed.
2. The DC controller drives the feed motor (M101) when it receives a print command from the formatter.
3. The DC controller outputs a pickup command to the paper feeder driver.
4. The trays 3-6 driver turns on the PF pickup solenoid (SL1600) when it receives a pickup command. Accordingly the PF pickup roller, PF feed roller and PF feed roller 1 rotate to pick up media in the PF cassette. (PF cassette pickup mechanism and PF lift-up operation are the same way as that of the printer).
5. The PF separation roller holds back any multiple-fed sheets and one sheet of media is fed into the printer. (PF multiple-feed prevention mechanism is the same way as that of the printer).

## Trays 3-6 multiple feed prevention

The trays 3-6 multiple-feed prevention for the paper feeder is operated in the same way as that of the printer base.

## Trays 3-6 tray presence detection

The trays 3-6 tray presence detection for the paper feeder is the same way as that of the printer base.

## Trays 3-6 tray lift operation

The lift-up operation keeps the stack surface of media in the paper feeder tray at a specified position to perform stable pickup operation.

The trays 3-6 driver drives the PF lifter motor (M1600) to move up the lifter plate in which media is stacked. The tray lift-up operation for the paper feeder is operated in the same way as that of the printer base.

The trays 3-6 driver monitors the PF media stack surface sensors (PS1601, PS1602) when the printer is turned on, when the PF tray is installed or during a print operation to perform the lift-up operation.

The sequence occurs as follows:

### 1. Initial lift-up operation

- The initial lift-up operation is performed if either one of the PF media stack surface sensors (PS1601,PS1602) does not detect the media surface when the power is turned on or when the PF cassette is installed. The trays 3-6 driver drives the PF lifter motor for a specified period after both of the PF stack surface sensors detect media and lifts the stack surface to the pickup position.

The trays 3-6 driver determines a PF lifter motor failure and notifies the DC controller if both of the PF media stack surface sensors do not detect media within a specified period from when a lift-up operation is started.

### 2. During print lift-up operation

- The during print lift-up operation is performed when the media surface is lowered for a specified level due to a pickup operation. The trays 3-6 driver drives the PF lifter motor for a specified period and lifts the stack surface to the pickup position when the PF media stack surface 1 (PS1601) detects media absence during a print operation.

If a tray media-stack-surface sensor does not detect a stack surface within a specified period after the PD lifter motor starts rotating, the trays 3-6 driver determines that the PD lifter motor has failed and through the DC controller notifies the formatter.

The trays 3-6 driver notifies the formatter if either of the paper-feeder media-stack surface sensors fails to detect the stack surface within a specified period from when a lift-up operation starts.

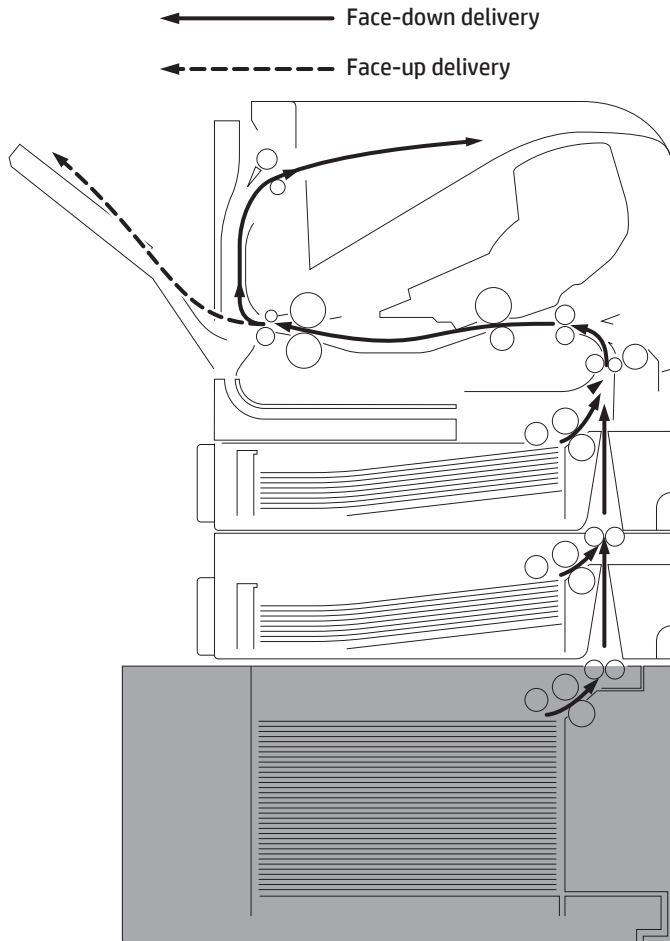
## Trays 3-6 jam detection

The paper jam for trays 3-6 is detected by the DC controller of the printer base.

## High-capacity input (HCI) feeder

The HCI (1 x 1500-sheet paper feeder; PD) is optionally installed at the bottom of the printer. It features paper pickup and paper feeding to the printer. The printer supports one HCI and up to three paper feeders between the printer and the HCI.

**Figure 1-29** HCI



### HCI driver PCA

The HCI driver controls the operational sequence of the paper deck and the serial communication with the DC controller of the printer.

The DC controller sends several commands to the HCI driver at necessary timing. The HCI driver drives each load, such as motor and solenoid, according to the commands. The HCI driver responds the status information of the HCI to the DC controller.

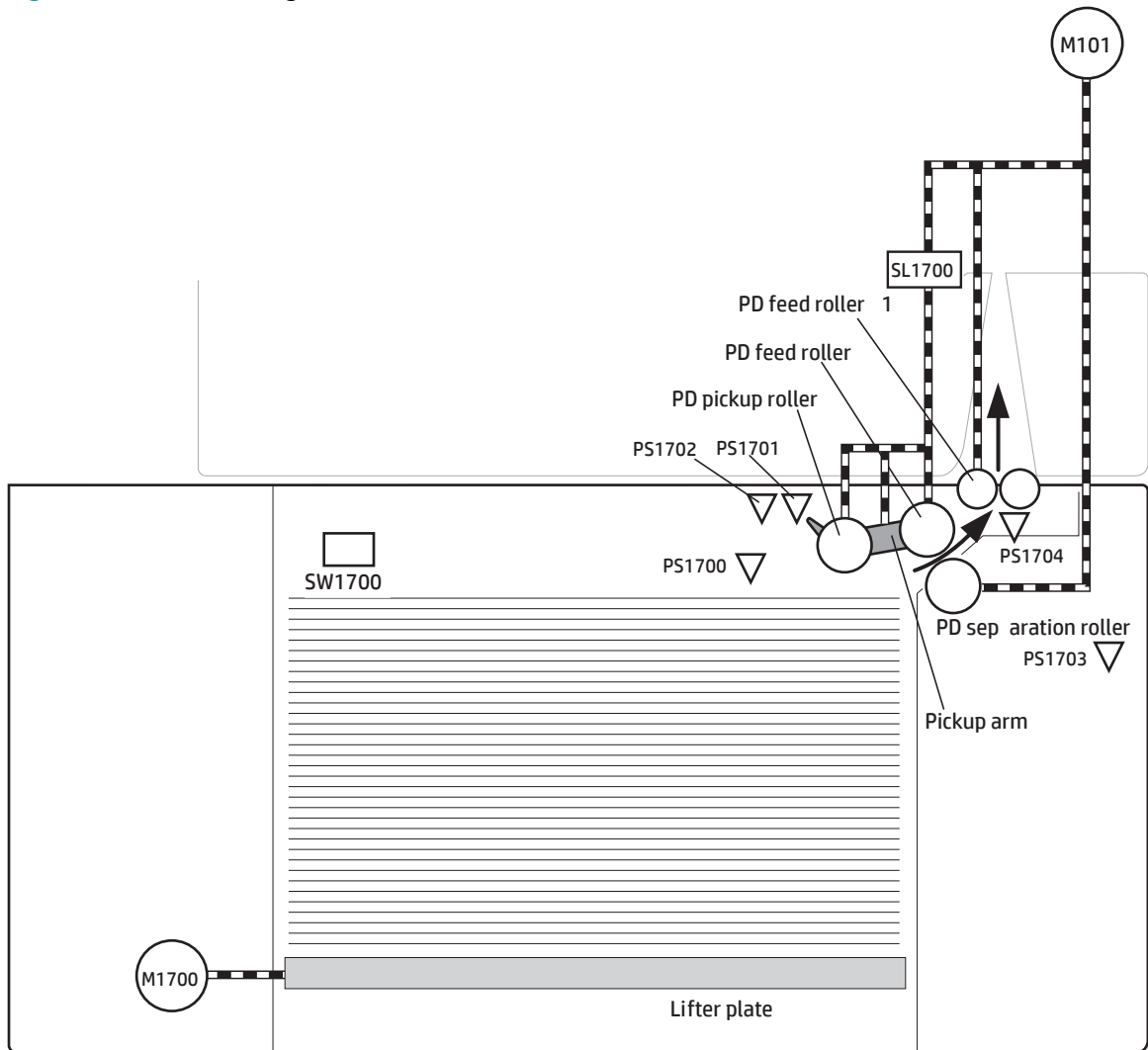
The DC controller determines a HCI illegal connection and notifies the formatter if it does not make the serial communication with the HCI driver during the pre-rotation period when the printer is turned on, when recovering from the sleep mode or when the door is closed.

The printer supplies DC24V to the HCI. The DC3.3V for sensors and ICs is generated from the DC24V in the HCI driver.

## HCI motor control

The HCI uses same mechanism of the printer for the pickup-and-feed operation. The rollers used in the HCI are driven by the feed motor (M101) of the printer through the gears.

**Figure 1-30** HCI block diagram

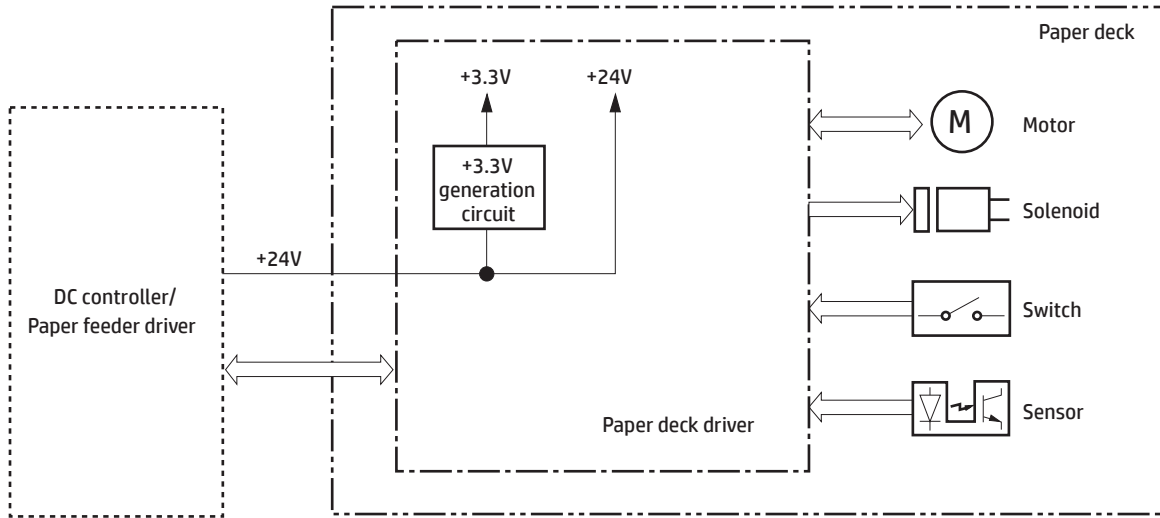


Description		Signal	Driver
PD lifter motor	M1700	PD LIFTER MOTOR DRIVE signal	PD driver
PD media presence sensor	PS1700	PD MEDIA PRESENCE signal	PD driver
PD media stack surface sensor 1	PS1701	PD MEDIA STACK SENSOR 1 signal	PD driver
PD media stack surface sensor 2	PS1702	PD MEDIA STACK SENSOR 2 signal	PD driver
PD door open detection sensor	PS1703	PD DOOR OPEN DETECTION signal	PD driver
PD media path sensor	PS1704	PD MEDIA PATH signal	PD driver
PD pickup solenoid	SL1700	PD PICKUP SOLENOID signal	PD driver
PD media size switch	SW1700	PD MEDIA SIZE signal	PD driver

## HCI electrical components

The HCI motors, solenoids, sensors, and switches, are described in the following figure and table.

**Figure 1-31** HCI circuit diagram



Component	Description	
Motor	M1700	Paper deck lift motor
Sensor	PS1700	Paper deck media presence sensor
	PS1701	Paper deck media stack surface sensor 1
	PS1702	Paper deck media stack surface sensor 2
	PS1703	Door open detection sensor
	PS1704	Paper deck media path sensor
Solenoid	SL1700	Paper deck pickup solenoid
Switch	SW1700	Paper deck media size switch

## HCI media size detection

The combination of the switches for the HCI media size detection differs from the printer tray.

## HCI paper pickup

The HCI picks up one sheet from the paper-feeder tray and feeds it to the printer.

1. The lifter plate moves up to the position where the paper can be picked up after the printer is turned on or the HCI front door is closed.
2. The DC controller drives the feed motor (M101) when it receives a print command from the formatter.
3. The DC controller outputs a pickup command to the HCI driver.



4. The HCI driver turns on the PD pickup solenoid (SL1700) when it receives a pickup command. Accordingly the HCI pickup roller, HCI feed roller and HCI feed roller 1 rotate to pick up media in the HCI. (HCI pickup mechanism is the same way as that of the printer).
5. The HCI separation roller holds back any multiple-fed sheets and one sheet of media is fed in to the printer. (HCI multiple-feed prevention mechanism is the same way as that of the printer).

### **HCI multiple feed prevention**

The HCI multiple-feed prevention for the paper feeder is operated in the same way as that of the printer base.

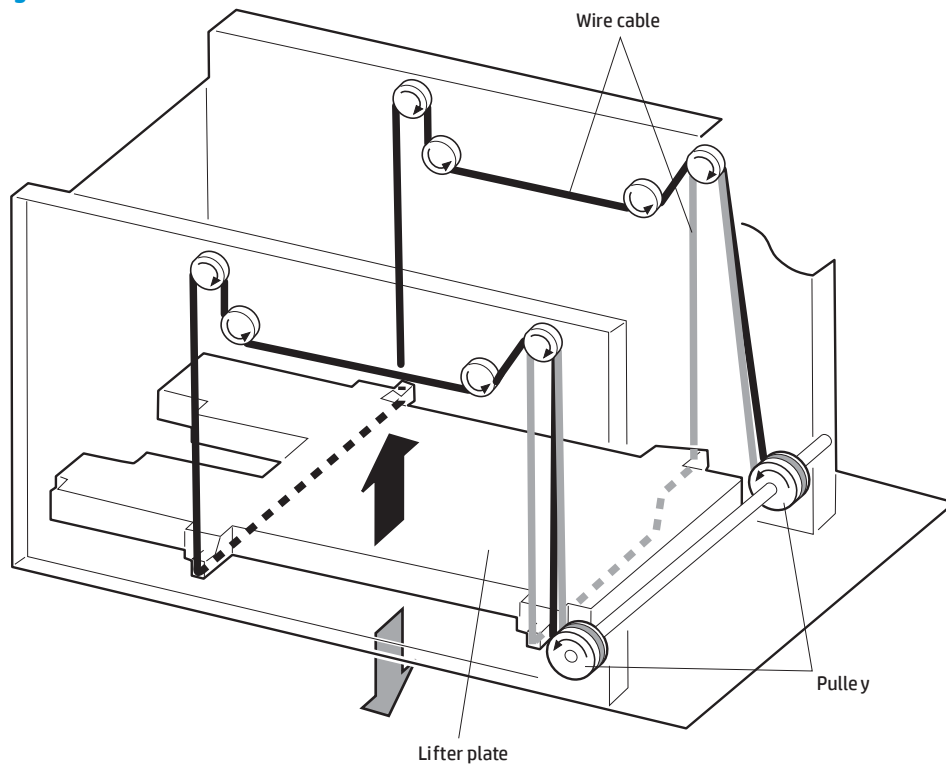
## HCI tray lift operation

The lift-up operation keeps the stack surface of media in the HCI tray at a specified position to perform stable pickup operation.

The HCI driver drives the PD lifter motor (M1700) to move up the lifter plate in which media is stacked. The PD lifter motor uses four pulleys to wind the wire cables and two wire cables lift the lifter plate. When the HCI front door is opened, the pulley gears and the motor gear are disengaged and the lifter plate lowers under its own weight.

The HCI driver monitors the PD media stack surface sensors (PS1701, PS1702) when the printer is turned on, when the HCI front door is closed or during a print operation to perform the lift-up operation.

**Figure 1-32** HCI lift



- Direction of the lifter plate moves up
- Direction of the lifter plate lowers under its own weight

The sequence occurs as follows:

### 1. Initial lift-up operation

- The initial lift-up operation is performed if either one of the PD media stack surface sensors (PS1701, PS1702) does not detect the media surface when the power is turned on or when the HCI front door is closed. The HCI driver drives the PD lifter motor for a specified period after both of the PD media stack surface sensors detect media and lifts the stack surface to the pickup position.

The HCI driver determines a PD lifter motor failure and notifies the DC controller if both of the PD media stack surface sensors do not detect media within a specified period from when a lift-up operation is started.

### 2. During print lift-up operation

- The during print lift-up operation is performed when the media surface is lowered for a specified level due to a pickup operation. The HCI driver drives the PD lifter motor for a specified period and lifts the stack surface to the pickup position when the PD media stack surface sensor 1 (PS1701) detects media absence during a print operation.
- 3. Pickup retry lift-up operation**
- The pickup retry lift-up operation is performed when the first pickup retry is failed to pick up media. The HCI driver drives the PD lifter motor for a specified period to lift the stack surface and performs second pickup retry.

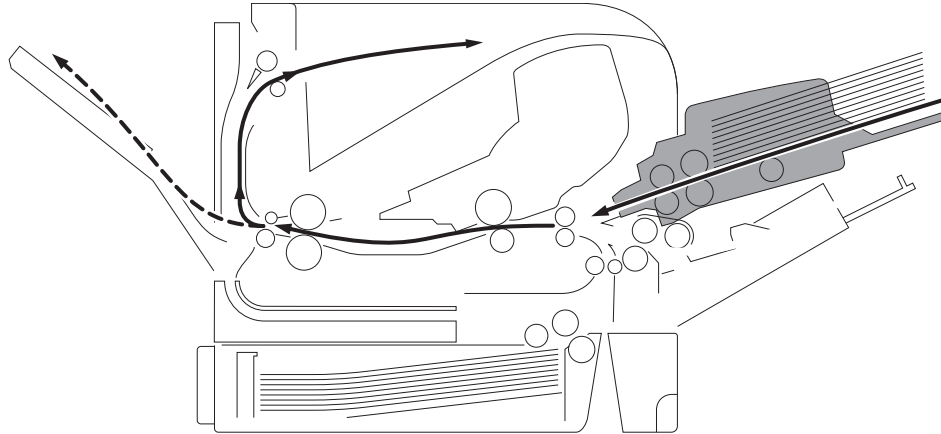
## **HCI jam detection**

The paper jam for the HCI is detected by the DC controller of the printer base.

## Envelope feeder

The envelope feeder (EF) is optionally installed on Tray 1, at the front side of the printer. It features envelope pickup and envelope feed to the printer.

**Figure 1-33** Envelope feeder



### Envelope feeder driver PCA

The envelope feeder driver controls the operational sequence of the envelope feeder and the serial communication with the DC controller of the printer.

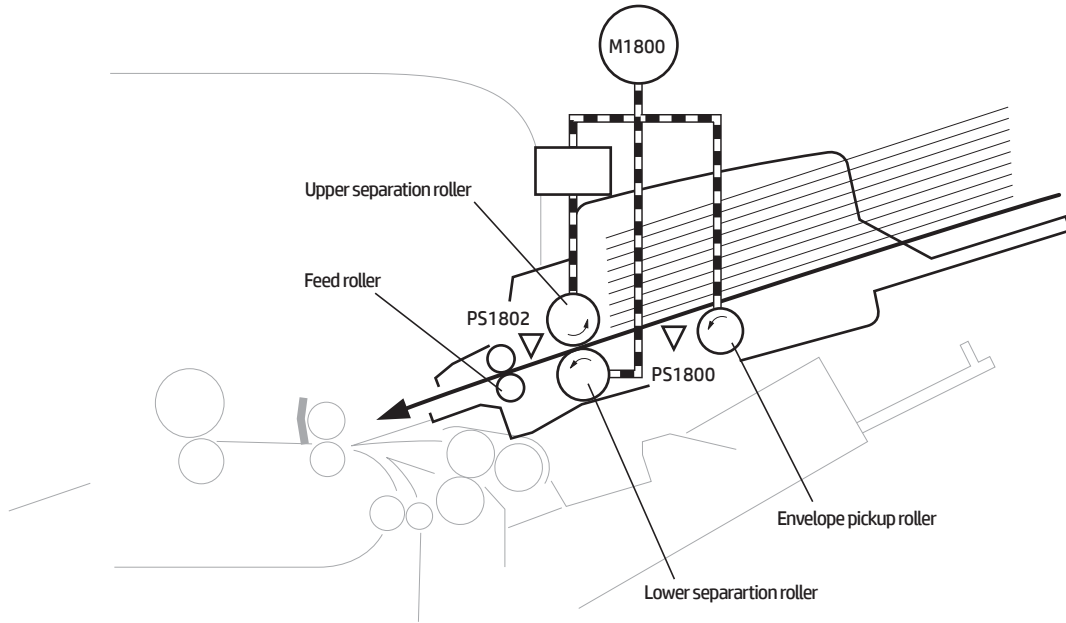
The DC controller sends several commands to the envelope feeder driver at necessary timing. The envelope feeder driver drives the motor according to the commands. The envelope feeder driver responds the status information of the envelope feeder to the DC controller.

The printer supplies DC24V to the envelope feeder. The DC3.3V for sensors and ICs is generated from the DC24V in the envelope feeder driver.

### Envelope feeder motor control

The envelope in the envelope feeder is fed into the printer individually.

**Figure 1-34** Envelope feeder block diagram

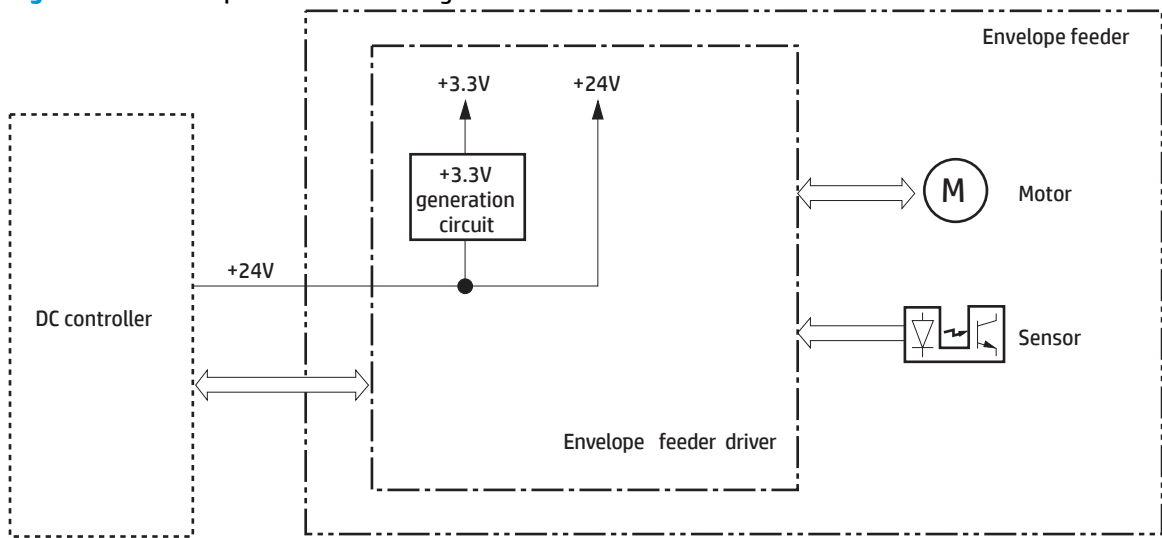


Description		Signal	Driver
EF pickup motor	M1800	ENVELOPE PICKUP MOTOR DRIVE signal	EF driver
EF media presence sensor	PS1800	ENVELOPE PRESENCE signal	EF driver
EF multi feed sensor	PS1802	ENVELOPE MULTI FEED signal	EF driver

### Envelope feeder electrical components

The envelope feeder motor and sensors are described in the following figure and table.

**Figure 1-35** Envelope feeder circuit diagram



Component	Description	
Motor	M1800	Envelope pickup motor

Component		Description
Sensor	PS1800	Envelope presence sensor
	PS1802	Envelope multiple feed sensor

## Envelope feeder paper pickup

The envelope in the envelope feeder is fed into the printer individually.

1. The envelope feeder driver drives the envelope pickup motor (M1800) when it receives a pickup command from the DC controller. Accordingly the envelope pickup roller, upper separation roller and lower separation roller rotate to pick up envelope.
2. The upper separation roller and lower separation roller remove any multiple-fed envelopes and one envelope is fed into the printer.

## Envelope feeder multiple feed prevention

The envelope feeder multiple-feed prevention for the paper feeder is operated in the same way as that of the printer base.

## Envelope feeder multiple feed detection

The envelope feeder detects the multiple-feed of the envelopes to prevent the printer damage from massive multiple-feed.

The envelope feeder driver monitors the envelope multiple-feed sensor (PS1802) to detect up and down motion of the upper separation roller.

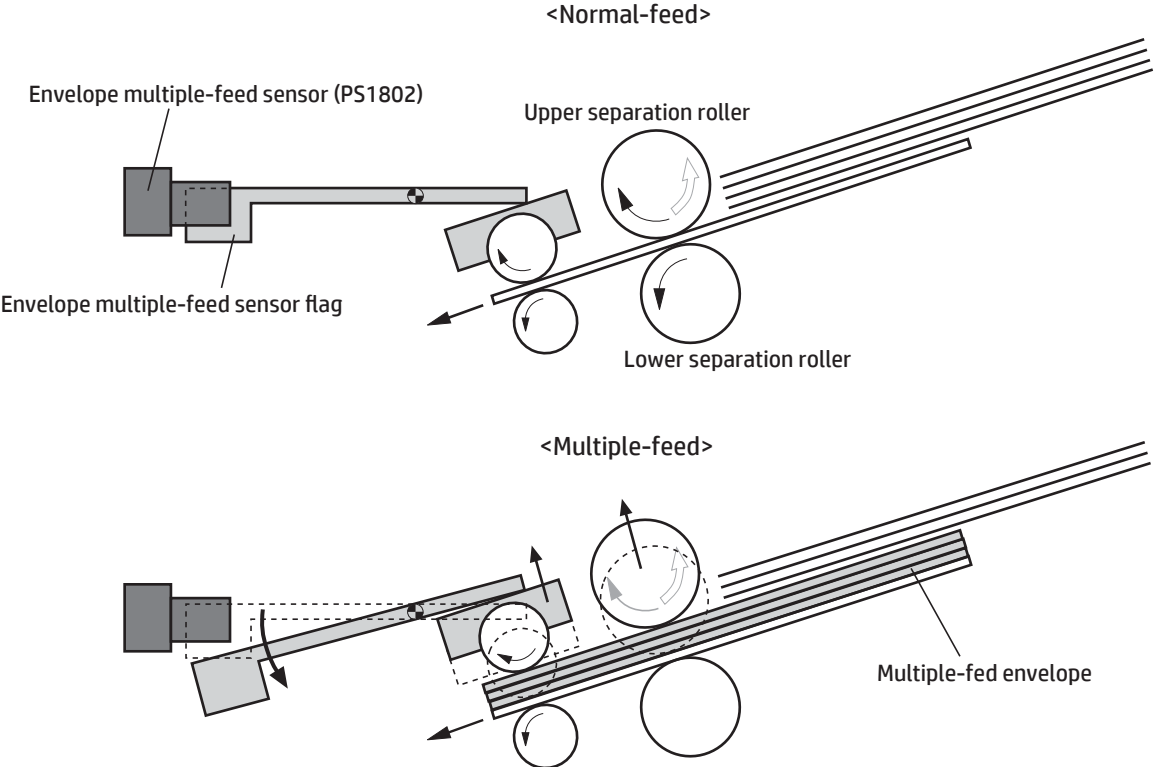
During a normal-feed operation, the envelope multiple-feed sensor flag interrupts the multiple-feed sensor. If more than four multiple-fed envelopes are placed between the upper separation roller and the lower separation roller, the upper separation roller rises approximately 0.7mm (almost equivalent to the thickness of four envelopes). This causes the multiple-feed sensor flag not interrupting the sensor and the envelope feeder driver detects the multiple-feed of envelopes.



**NOTE:** The multiple-feed detection mechanism is not able to detect less than four multiple-fed envelopes.

The envelope feeder driver notifies the pickup jam to the DC controller when it determines a multiple feed.

**Figure 1-36** Envelope feeder multiple feed detection



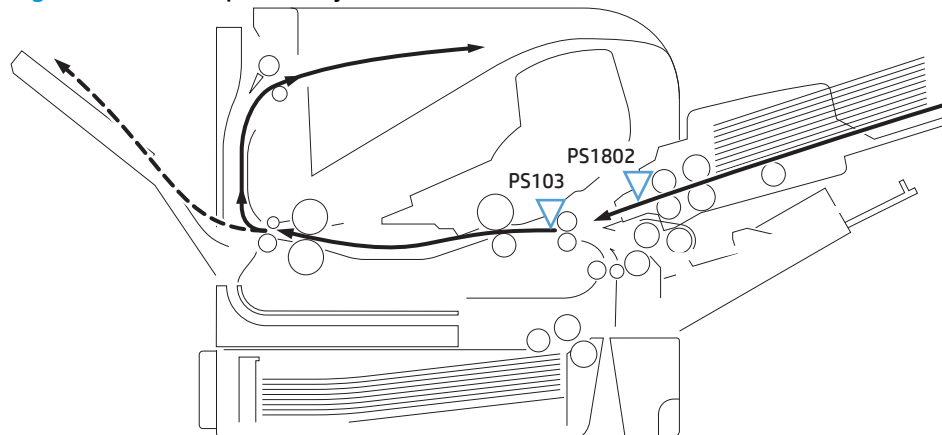
## Envelope feeder jam detection

The envelope feeder uses the following sensors to detect the presence of media and to check whether media is being fed correctly or has jammed.

Jam detection sensors (EF)

- PS1802: Envelope multiple-feed sensor
- PS103: Top of page sensor (in the printer)

**Figure 1-37** Envelope feeder jam detection



The envelope feeder driver determines a jam if the sensor detects envelope presence at a specified timing stored in the envelope feeder driver. The envelope feeder driver stops a print operation and notifies the DC controller when it determines a jam has occurred.

- Envelope feeder pickup delay jam

The top of page sensor (PS103) does not detect the leading edge of envelope within a specified period from when an envelope pickup operation starts.

- Envelope feeder multiple-feed jam

The envelope multiple-feed sensor (PS1802) detects the multiple-fed envelopes after a pickup operation has started.

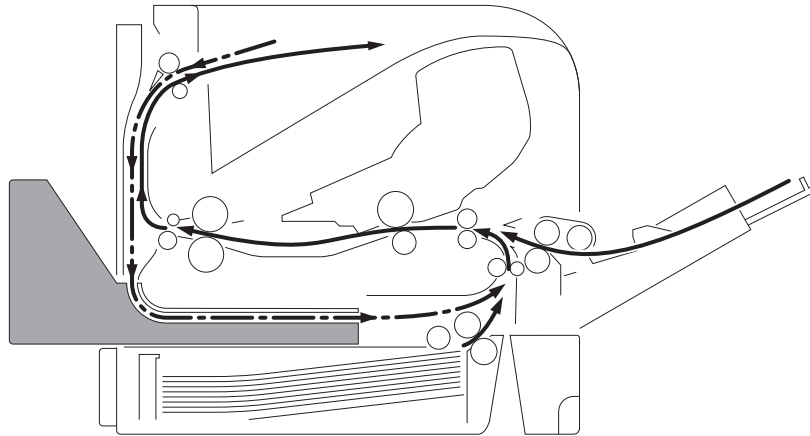


## Duplexer

The duplexer (DP) is installed at the back of the printer. It features media reverse and media feed to the printer to print two sides of media.

**Figure 1-38** Duplexer

← Face-down delivery  
← - - - Duplex print



### Duplexer driver PCA

The duplex driver controls the operational sequence of the duplexer and the serial communication with the DC controller of the printer.

The DC controller sends several commands to the duplex driver at necessary timing. The duplex driver drives the duplex reverse motor and the duplex re-pickup motor according to the commands. The duplex driver monitors the sensors and responds the status information of the duplexer to the DC controller.

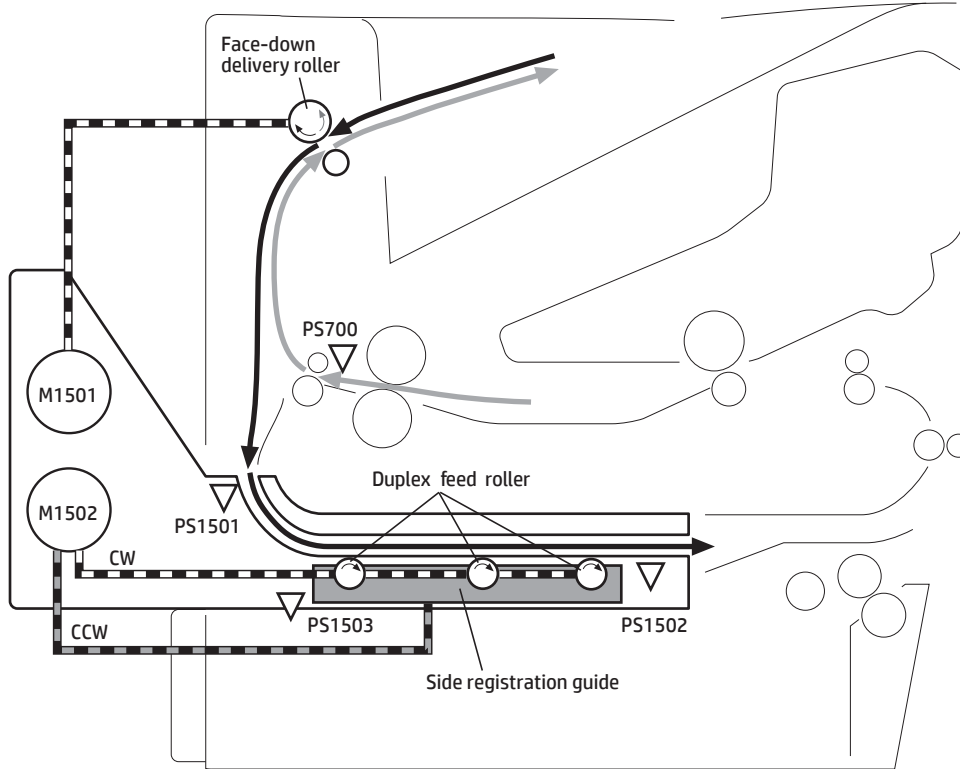
The printer supplies DC24V to the duplexer. The DC5V for sensors and ICs is generated from the DC24V in the duplex driver.

### Duplexer motor control

The duplexer has two motors and a fan. The motors are used for the media feeding and the fan is used for preventing a temperature rising inside the duplex unit.

The duplex driver determines a fan failure and notifies the DC controller when the fan locks for a specified period after the fan starts up.

**Figure 1-39** Envelope feeder block diagram



Description		Signal	Driver
DP reverse motor	M1501	DUPLEX REVERSE MOTOR DRIVE signal	DP driver
DP re-pick motor	M1502	DUPLEX RE-PICK MOTOR signal	DP driver
Face-up sensor	PS1501	FACE-UP signal	DP driver
DP media re-pick sensor	PS1502	DUPLEX MEDIA RE-PICK signal	DP driver
Side registration guide home-position sensor	PS1503	SIDE REGISTRATION GUIDE HOMEPOSITION signal	DP driver

## Duplex electrical components

The duplex sensors, motors, and fans are described in the following figure and table.

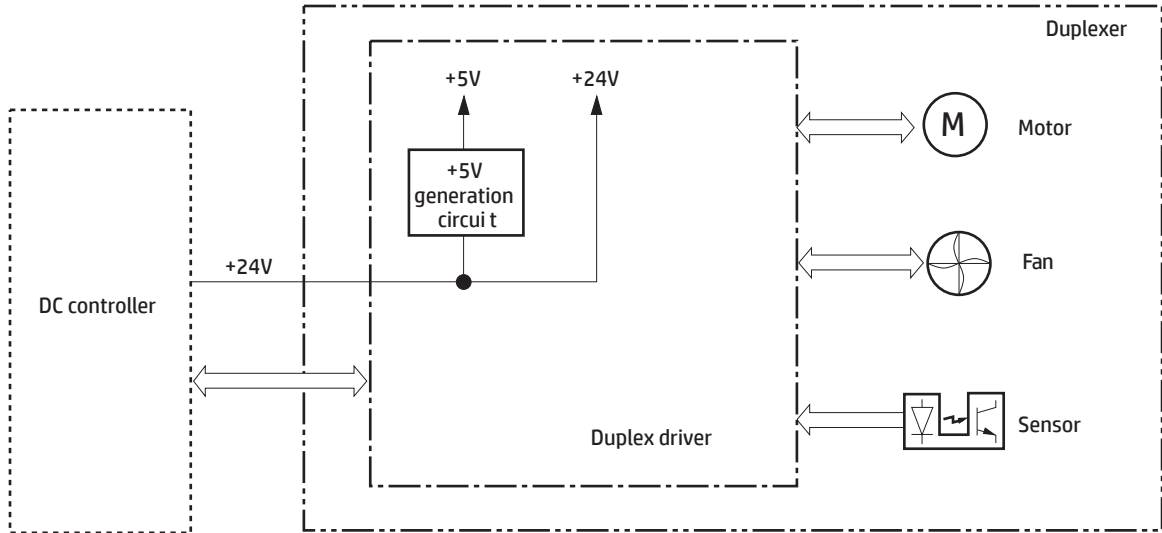
The duplex has two motors: the duplex reverse motor (M1501) and the duplex re-pickup motor (M1502). The duplex driver controls forward and reverse the duplex re-pickup motor rotations. When the duplex re-pickup motor rotates, the rollers in the duplex rotate and when it reverses, the side registration guide moves.

The duplex reverse motor rotates or reverses the face-down delivery roller of the printer.

In addition, the duplex has three photo interrupters: the face-up sensor (PS1501), duplex media re-pickup sensor (PS1502), and the side registration guide home-position sensor (PS1503). The face-up sensor is used for face-up tray open detection, the duplex media re-pickup sensor is used for jam detection, and the side registration guide home-position sensor is used for side registration guide home-position detection.

 **NOTE:** The duplex motors do not have failure detection.

**Figure 1-40** Duplexer circuit diagram



Component		Description
Motor	M1501	Duplex reverse motor <b>NOTE:</b> This motor drives the face-down delivery roller (in the printer).
	M1502	Duplex re-pick motor <b>NOTE:</b> This motor drives the side registration guide, duplex feed roller.
Fan	FM1501	Duplex cooling fan <b>NOTE:</b> This fan runs at full speed.
Sensors	PS1501	Face up sensor
	PS1502	Duplex re-pick sensor
	PS1503	Side registration home-position sensor

## Duplexer paper pickup

The duplexer allows for automatically printing on both sides of the paper.

**NOTE:** If the DC controller determines a print error after the duplexer picked up the page for first side printing, the page is delivered to the delivery tray without duplex printing.

1. The duplexer driver reverses the duplex re-pickup motor (M1502) when it receives a side registration adjustment command from the DC controller. See [Side registration adjustment operation \(DP\) on page 60](#).
2. The DC controller outputs a duplex reverse motor rotation command to the duplex driver after a specified period from when the fuser delivery sensor (PS700) of the printer detects the leading edge of the page.
3. The duplex driver rotates the duplex reverse motor (M1501) and the page is fed to the face-down tray when the command is received.
4. The DC controller outputs a duplex reverse motor reverse command to the duplex driver after a specified period from when the fuser delivery sensor detects the trailing edge of a page.

5. The duplex driver reverses the duplex reverse motor and the page is fed to the duplexer along the side registration guide when the command is received.
6. The duplex driver rotates the duplex re-pickup motor after a specified period from when it reverses the duplex reverse motor. The media is fed by the oblique roller and the duplex feed rollers so that the edge contacts with the left plate to correct a skewed feed.
7. The duplex driver stops the duplex reverse motor after a specified period from when the DC controller reverses the duplex reverse motor.
8. The duplex driver stops the duplex re-pickup motor after a specified period from when the duplex media re-pickup sensor (PS1502) detects the leading edge of the page.
9. The duplex driver rotates the duplex re-pickup motor when it receives a duplex re-pickup command from the DC controller. The page is fed to the pre-feed sensor (PS102) of the printer at the same printer feed speed.
10. The duplex driver stops duplex re-pickup motor after a specified period from when the duplex media re-pickup sensor detects the trailing edge of the page.

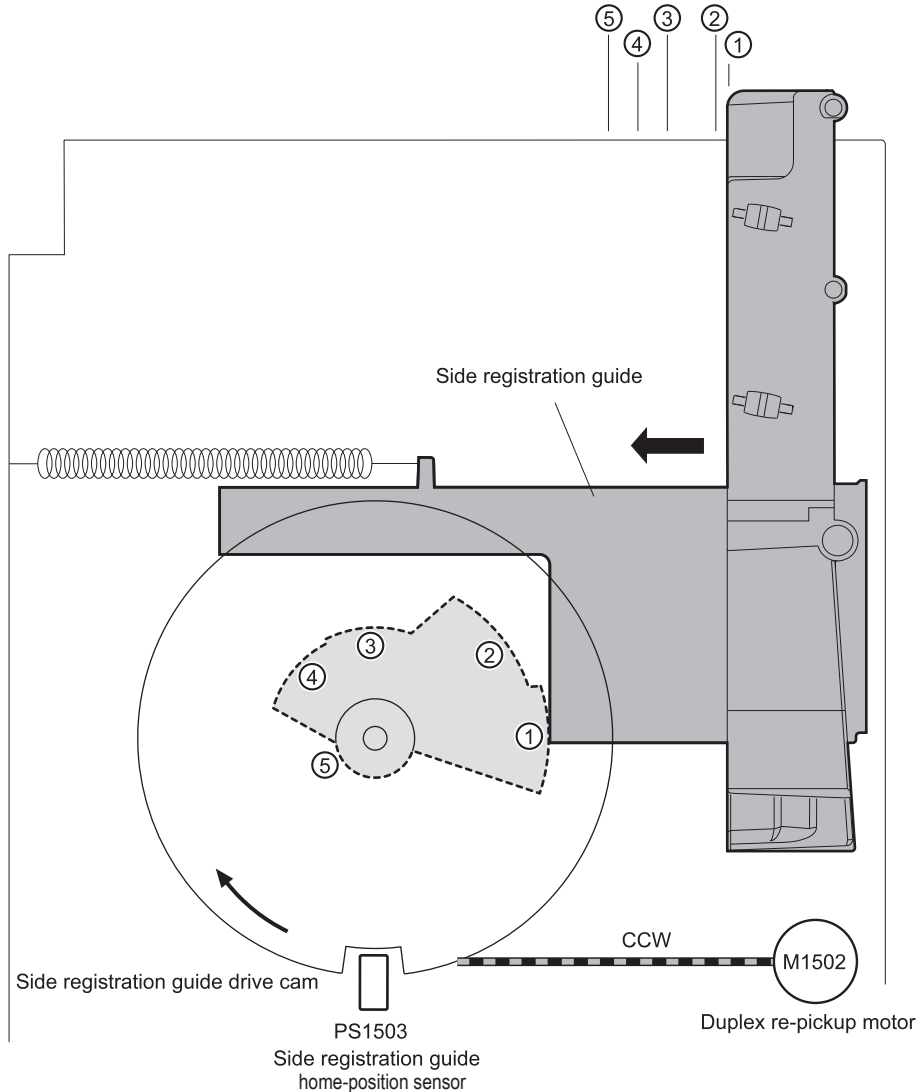
### **Side registration adjustment operation (DP)**

The printer adjusts the side registration during a duplex print operation to align the center of the horizontal scanning on the second side with that of the print area on the photosensitive drum.

The side registration adjustment is made by moving the side registration guide to the designated page size of the side registration adjustment command. The side registration guide moves to the following five positions depending on the media size in order of numbers 1 to 5 and then back to 1.

1. Letter or Legal (home position)
2. A4
3. Executive
4. B5
5. A5

**Figure 1-41** Side registration adjustment operation (DP)



The sequence of the side registration adjustment operation is as follows:

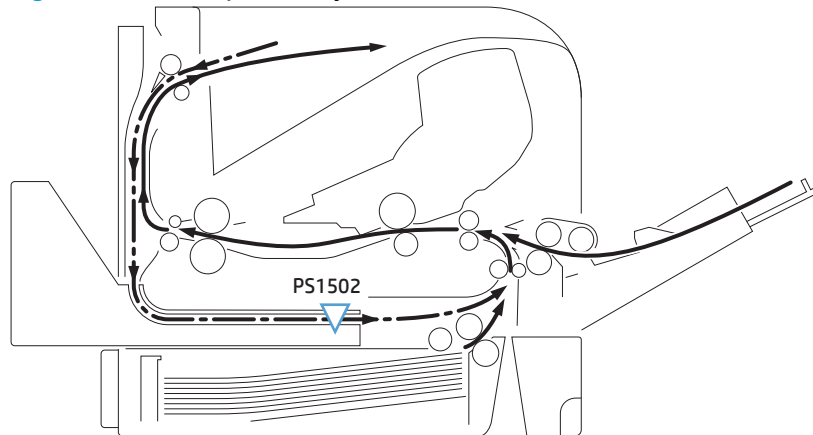
1. The duplex driver reverses the duplex re-pickup motor (M1502) when it receives a side registration adjustment command from the DC controller.
2. The side registration guide drive cam rotates and the side registration guide home-position sensor (PS1503) detects the home position of the side registration guide. Then the side registration guide moves depending on the media size.
3. The duplex driver stops the duplex re-pickup motor and completes the side registration guide movement.

The duplex driver determines a side registration guide failure and notifies the DC controller when the side registration guide home-position sensor does not detect the home position after the side registration guide drive cam rotates twice.

## Duplexer jam detection

The duplex unit uses the duplex media re-pickup sensor (PS1502) to detect the presence of media and to check whether media is being fed correctly or has jammed.

**Figure 1-42** Envelope feeder jam detection



The duplexer determines a jam if the sensor detects media presence at a specified timing stored in the duplex driver.

The duplex driver stops a print operation and notifies the DC controller when it determines a jam has occurred.

- Duplex media reverse delay jam

The duplex media re-pickup sensor (PS1502) does not detect the leading edge of media within a specified period from when the duplex reverse motor starts reverse rotation.

- Duplex media re-pickup stationary jam

The duplex media re-pickup sensor (PS1502) does not detect the trailing edge of media within a specified period from when the re-pickup operation starts.

---

## 2 Solve problems

- [For additional service and support](#)
- [Solve problems checklist](#)
- [Troubleshooting process](#)
- [Tools for troubleshooting](#)
- [Solve image-quality problems](#)
- [Clean the printer](#)
- [Solve paper handling problems](#)
- [Clear paper jams](#)
- [Solve performance problems](#)
- [Solve connectivity problems](#)
- [Service mode functions](#)
- [Firmware upgrades](#)

## For additional service and support

HP service personnel, go to the Service Access Work Bench (SAW) at <http://h41302.www4.hp.com/km/saw/home.do>.

Channel partners, go to HP Channel Services Network (CSN) at <https://h30125.www3.hp.com/hpcsn>.

- To access HP PartSurfer information from any mobile device, go to <http://partsurfermobile.hp.com/> or scan the Quick Response (QR) code below.



- Install and configure
- Printer specifications
- Up to date control-panel message (CPMD) troubleshooting
- Solutions for printer issues and emerging issues
- Remove and replace part instructions and videos
- Service advisories
- Warranty & regulatory information



# Solve problems checklist

- [Solve problems checklist](#)
- [Print the configuration page](#)
- [Print menu map](#)
- [Print current settings pages](#)
- [Print event log](#)
- [Pre-boot menu options](#)

## Solve problems checklist

If the printer is not correctly functioning, complete the steps (in the order given) in the following checklist. If the printer fails a checklist step, follow the corresponding troubleshooting suggestions for that step. If a checklist step resolves the problem, skip the remaining checklist items.

1. If the control panel is blank or black, check the following before proceeding:
  - Check to make sure that the printer is not in Sleep mode (tap the touchscreen control panel or press a button on the LCD control panel).
  - Check the power cable.
  - Check that the power is turned on.
  - Make sure that the line voltage is correct for the printer power configuration. (See the label that is on the back of the printer for voltage requirements.) If a power strip is in use, and its voltage is not within specifications, connect the printer directly into the electrical outlet. If it is already connected into the outlet, try a different outlet.

If the control panel is not responding to touch (M605x and M606x models), or if it appears black or blank, try the following:

- a. Turn the printer power off, and then on again.
- b. Try upgrading the firmware. If the firmware upgrade fails to resolve the problem, and the printer still freezes while in Sleep mode, elevate the case after collecting the following info:
  - Try printing to the printer from a host computer. Does the printer print a page?
  - Is the printer HP Embedded Web Server (EWS) accessible?
  - Turn the printer power off, and then on again. Save the printer diagnostic file.


### To save diagnostic files from a touchscreen control panel

1. From the [Home](#) screen on the printer control panel, scroll to and touch the [Backup/Restore](#) button.
2. Open the following menu:
  - [Retrieve Diagnostic Data](#)
3. Use the down arrow ▼ button to scroll to the desired data-saving option, and then touch the [Save](#) button.

### To save diagnostic files from a LCD control panel

1. From the [Home](#) screen on the printer control panel, use the down arrow button to scroll to [Backup/Restore](#) and then press the [OK](#) button.
  2. Use the down arrow ▼ button to scroll to [Retrieve Diagnostic Data](#), and then press the [OK](#) button.
  3. Use the down arrow ▼ button to scroll to the desired data saving options, and then press the [OK](#) button.
- c. If the printer did not freeze while in Sleep mode, verify that the control panel is correctly functioning by accessing the control panel diagnostics. See the Control-panel checks section of the printer problem solving manual.

---


 **TIP:** The LED on the formatter will blink if the control panel is not detected or the cables are not properly seated.

---

If the control panel does not respond to the diagnostic button, try the following:

- Turn the printer power off.
  - Reseat the cable connections on the bottom of the control-panel assembly.
  - Turn the printer power on, and then check for functionality of the control-panel.
- d. Check the control-panel connectors at the control panel and at the formatter.
- e. If the error persists, replace the control-panel assembly.
2. The control panel should indicate a [Ready](#), [Paused](#), or [Sleep mode on](#) status. If an error message displays, resolve the error.
- Use the Power-on checks section in the printer troubleshooting service manual to solve the problem.
3. For network connection errors, check the cables.
- a. Check the network cable connections between the printer and the computer or network port. Make sure that the connections are secure.

---

 **NOTE:** The network LEDs should be illuminated and flashing.

---


- b. Make sure that the cables are not faulty by trying different cables, if possible.
- c. Check the network connection.
4. Print a configuration page. If the printer is connected to a network, an HP Jetdirect page also prints.

### Print a configuration page from a touchscreen control panel

- a. From the [Home](#) screen on the printer control panel, scroll to and touch the [Administration](#) button.
- b. Open the following menus:
  - [Reports](#)
  - [Configuration/Status Pages](#)
  - [Configuration Page](#)

- c. Touch [Configuration Page](#) to select it.

---

 **TIP:** Multiple report pages can be selected, and then printed together.


---

- d. Touch the [Print](#) button to print the pages.

#### Print a configuration page from a LCD control panel

- a. From the [Home](#) screen on the printer control panel, use the ▼ to scroll to [Administration](#), and then press the [OK](#) button.
- b. If necessary, use the down arrow ▼ button to scroll to [Reports](#), and then press the [OK](#) button.
- c. If necessary, use the down arrow ▼ button to scroll to [Configuration/Status Pages](#), and then press the [OK](#) button.
- d. Use the down arrow ▼ button to scroll to [Configuration page](#), and then press the [OK](#) button to select it.
- e. Use the up arrow ▲ button to scroll to [Print](#), and then press the [OK](#) button to print the pages.


---

 **TIP:** Multiple report pages can be selected, and then printed together.

---

- If the pages do not print, check that at least one tray contains paper.

---

 **TIP:** Make sure that the selected paper size and type meet HP specifications. Also open the **Trays** menu on the printer control panel and verify that the tray is configured correctly for the paper type and size.

---

- If the page jams in the printer, follow the instructions on the control panel to clear the jam.
- If the page does not print correctly, the problem is with the printer hardware.
- If the page prints correctly, the printer hardware is working. The problem is with the host computer, with the print driver, or with the program.

5. Print a supplies status page and then check that the maintenance items below are not at their end-of-life.

---


 **TIP:** If a maintenance item needs to be replaced, order the part number provided below.

---

#### Print a supplies status page from a touchscreen control panel

- a. From the Home screen on the printer control panel, scroll to and touch the [Administration](#) button.
- b. Open the following menus:
  - [Reports](#)
  - [Configuration/Status Pages](#)
  - [Supplies Status Page](#)
- c. Touch the [Print](#) button to print the page, and then check the maintenance items (listed below in this step).

---


 **TIP:** Multiple report pages can be selected, and then printed together.

---


### Print a supplies status page from a LCD control panel

- a. From the **Home** screen on the printer control panel, use the down arrow ▼ button to scroll to **Administration**, and then press the **OK** button.
- b. If necessary, use the down arrow ▼ button to scroll to **Reports**, and then press the **OK** button.
- c. If necessary, use the down arrow ▼ button to scroll to **Configuration/Status Pages**, and then press the **OK** button.
- d. Use the down arrow ▼ button to scroll to **Supplies Status Page**, and then press the **OK** button to select it.
- e. Use the up arrow ▲ button to scroll to **Print**, and then press the **OK** button to print the page, and then check the maintenance items (listed below in this step).

---

 **TIP:** Multiple report pages can be selected, and then printed together.

---

 **NOTE:** HP long-life consumables and maintenance kit life specifications are estimations. Actual individual life/yield during normal use varies depending on usage, environment, media, and other factors. Estimated life is not an implied guarantee or warrantable.

---

- Fuser kit; estimated life: 225,000 pages
  - F2G76-67901 (110V)
  - F2G77-67901 (220V)
- 6. Verify that the correct print driver for this printer is installed. Check the program to make sure that the print driver for this printer is used. The print driver is on the CD that came with the printer, or can be downloaded from this Web site: [www.hp.com/support/ljM604](http://www.hp.com/support/ljM604), [www.hp.com/support/ljM605](http://www.hp.com/support/ljM605), [www.hp.com/support/ljM606](http://www.hp.com/support/ljM606).
- 7. Print a short document from a different program that has worked in the past. If this solution works, the problem is with the program. If this solution does not work (the document does not print), complete these steps:
  - a. Try printing the job from another computer that has the printer software installed.
  - b. If the printer is connected to the network, connect the printer directly to a host computer with a USB cable. Redirect the printer to the correct port, or reinstall the software (make sure to select the new connection type).

### Print the configuration page

 **NOTE:** Depending on the model, up to three pages print when printing a configuration page. In addition to the main configuration page, the HP embedded Jetdirect configuration pages print.


---

#### Print the configuration page from a touchscreen control panel

1. From the **Home** screen on the printer control panel, scroll to and touch the **Administration** button.
2. Open the following menus:
  - **Reports**
  - **Configuration/Status Pages**

3. Touch [Configuration Page](#) to select it.
4. Touch the [Print](#) button to print the pages.

---


 **TIP:** Multiple report pages can be selected, and then printed together.

---

### Print the configuration page from a LCD control panel

1. From the [Home](#) screen on the printer control panel, use the down arrow ▼ button to scroll to [Administration](#), and then press the [OK](#) button.
2. Open the following menus:
  - [Reports](#)
  - [Configuration/Status Pages](#)
3. Use the down arrow ▼ button to scroll to [Configuration Page](#), and then press the [OK](#) button to select it.
4. Use the up arrow ▲ button to scroll to [Print](#), and then press the [OK](#) button to print the pages.

---

 **TIP:** Multiple report pages can be selected, and then printed together.

---


## Print menu map

To more easily navigate individual settings, print a report of the complete [Administration](#) menu.

### Print the menu map from a touchscreen control panel

1. From the [Home](#) screen on the printer control panel, scroll to and touch the [Administration](#) button.
2. Open the following menus:
  - [Reports](#)
  - [Configuration/Status Pages](#)
3. Select the [Administration Menu Map](#) option.
4. Touch the [Print](#) button to print the report.

---


 **TIP:** Multiple report pages can be selected, and then printed together.

---

### Print the menu map from a LCD control panel

1. From the [Home](#) screen on the printer control panel, use the down arrow ▼ button to scroll to [Administration](#), and then press the [OK](#) button.
2. Open the following menus:
  - [Reports](#)
  - [Configuration/Status Pages](#)
3. Use the down arrow ▼ button to scroll to [Administration Menu Map](#), and then press the [OK](#) button to select it.
4. Use the up arrow ▲ button to scroll to [Print](#), and then press the [OK](#) button to print the pages.

---

 **TIP:** Multiple report pages can be selected, and then printed together.

---


## Print current settings pages

Printing the current settings page provides a map of the user configurable settings that might be helpful in the troubleshooting process.

### Print the current settings page from a touchscreen control panel

1. From the [Home](#) screen on the printer control panel, scroll to and touch the [Administration](#) button.
2. Open the following menus:
  - [Reports](#)
  - [Configuration/Status Pages](#)
3. Select the [Current Settings Page](#) option.
4. Touch the [Print](#) button to print the report.

---


 **TIP:** Multiple report pages can be selected, and then printed together.

---

### Print the current settings page from a LCD control panel

1. From the [Home](#) screen on the printer control panel, use the down arrow ▼ button to scroll to [Administration](#), and then press the [OK](#) button.
2. Open the following menus:
  - [Reports](#)
  - [Configuration/Status Pages](#)
3. Use the down arrow ▼ button to scroll to [Current Settings Page](#), and then press the [OK](#) button to select it.
4. Use the up arrow ▲ button to scroll to [Print](#), and then press the [OK](#) button to print the pages.

---

 **TIP:** Multiple report pages can be selected, and then printed together.

---

## Print event log

Printing the event log might be helpful in the troubleshooting process. For more information, see the Interpret control-panel messages and event log entries section in the printer troubleshooting manual.

### Print the event log from the Administration menu from a touchscreen control panel

1. From the [Home](#) screen on the printer control panel, scroll to and touch the [Administration](#) button.
2. Open the following menus:
  - [Troubleshooting](#)
  - [Event Log](#)
3. The event log displays on the screen. To print it, touch the [Print](#) button.

### Print the event log from the Administration menu from a LCD control panel

1. From the [Home](#) screen on the printer control panel, use the down arrow ▼ button to scroll to [Administration](#), and then press the [OK](#) button.
2. Use the down arrow ▼ button to scroll to [Troubleshooting](#), and then press the [OK](#) button.
3. If necessary, use the down arrow ▼ button to scroll to [Print Event Log](#), and then press the [OK](#) button to print the page.

### Print the event log from the Service menu from a touchscreen control panel

1. From the [Home](#) screen on the printer control panel, scroll to and touch the [Device Maintenance](#) button.
2. Open the [Service](#) menu.
3. On the sign-in screen, select the [Service Access Code](#) option from the drop-down list.
4. Enter the following service access code for the printer:
  - 04060615 (M606)
  - 04060515 (M605)
  - 04060415 (M604)
5. Touch the [Print Event Log](#) item.

### Print the event log from the Service menu from a LCD control panel

1. From the [Home](#) screen on the printer control panel, use the down arrow ▼ button to scroll to [Device Maintenance](#), and then press the [OK](#) button.
2. Use the down arrow ▼ button to scroll to [Service](#), and then press the [OK](#) button.
3. On the sign-in screen, use the down arrow ▼ button to scroll to [Service Access Code](#) option and then press the [OK](#) button.
4. Enter the following service access code for the printer:
  - 04060615 (M606)
  - 04060515 (M605)
  - 04060415 (M604)
5. If necessary, use the down arrow ▼ button to scroll to [Print Event Log](#), and then press the [OK](#) button to print the page.

### Clear the event log from a touchscreen control panel

1. From the [Home](#) screen on the printer control panel, scroll to and touch the [Device Maintenance](#) button.
2. Open the [Service](#) menu.
3. On the sign-in screen, select the [Service Access Code](#) option from the drop-down list.
4. Enter the following service access code for the printer:

- 04060615 (M606)
- 04060515 (M605)
- 04060415 (M604)

5. Select the **Clear Event Log** item, and then touch the **OK** button.

#### **Clear the event log from a LCD control panel**

1. From the **Home** screen on the printer control panel, use the down arrow ▼ button to scroll to **Device Maintenance**, and then press the **OK** button.
2. Use the down arrow ▼ button to scroll to **Service**, and then press the **OK** button.
3. On the sign-in screen, use the down arrow ▼ button to scroll to **Service Access Code** option and then press the **OK** button.
4. Enter the following service access code for the printer:
  - 04060615 (M606)
  - 04060515 (M605)
  - 04060415 (M604)
5. If necessary, use the down arrow ▼ button to scroll to **Clear Event Log**, and then press the **OK** button.



## Pre-boot menu options

The **Pre-boot** menus are available prior to the printer initializing.

**CAUTION:** The **Format Disk** option (printers with a hard-disk drive only) performs a disk initialization for the entire disk. The operating system, firmware files, and third party files (among other files) will be completely lost. HP does not recommend this action.

**TIP:** The Pre-boot menu can be remotely accessed by using a telnet network protocol to establish an administration connection to the printer. See [Remote Admin on page 82](#).

### Open the Pre-boot menu from a touchscreen control panel

1. Touch the HP logo in the middle of the control-panel display when you see the **1/8** under the logo.

**Figure 2-1** Open the Pre-boot menu



2. On the **Pre-boot** menu screen, use the following buttons to navigate the tests.

**Figure 2-2** Pre-boot menu



Use this button to see more information about a selected item.



Use this button to scroll up through menu items.



Use this button to select a highlighted menu item.



Use this button to scroll down through menu items.



Use this button to go back to the previous menu.




Not used.



Use this button to exit a diagnostic test.

3. Use the arrow buttons on the touchscreen to navigate the **Pre-boot** menu.
4. Touch the **OK** button to select a menu item.

### Open the Pre-boot menu from a LCD control panel

1. Press the **Cancel**  button when you see the **1/8** under the logo.
2. Use the arrow buttons on the control panel to navigate the **Pre-boot** menu.
3. Press the **OK** button to select a menu item.

### Cold reset using the Pre-boot menu from a touchscreen control panel

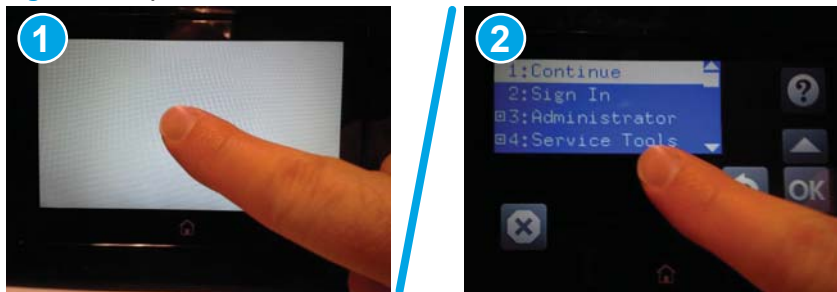
---

**CAUTION:** This procedure resets all printer configurations and settings to factory defaults (customer configurations and settings are lost).

---

1. Touch the HP logo in the middle of the control-panel display when you see the **1/8** under the logo.

**Figure 2-3** Open the Pre-boot menu



2. Use the ▼ button to highlight the **+3:Administrator** item, and then touch the **OK** button.
3. Use the ▼ button to highlight the **+8:Startup Options** item, and then touch the **OK** button.
4. Use the ▼ button to highlight the **2 Cold Reset** item, and then touch the **OK** button to select it.
5. Touch the Home button to return to the main **Pre-boot** menu and highlight the **1:Continue** item, and then touch the **OK** button.

---

 **NOTE:** The printer will initialize.


---

### Cold reset using the Pre-boot menu from a LCD control panel

---

**CAUTION:** This procedure resets all printer configurations and settings to factory defaults (customer configurations and settings are lost).

---

1. Press the **Cancel**  button when you see the **1/8** under the logo.
2. Use the down arrow ▼ button to highlight the **+3:Administrator** item, and then press the **OK** button.
3. Use the down arrow ▼ button to highlight the **+8:Startup Options** item, and then press the **OK** button.
4. Use the down arrow ▼ button to highlight the **2 Cold Reset** item, and then press the **OK** button to select it.
5. Touch the Home button to return to the main **Pre-boot** menu and highlight the **1:Continue** item, and then touch the **OK** button.



**NOTE:** The printer will initialize.

**Table 2-1 Pre-boot menu options (1 of 7)**

Menu option	First level	Second level	Third level	Description
Continue				<p>Selecting the <a href="#">Continue</a> item exits the <a href="#">Pre-boot</a> menu and continues the normal boot process.</p> <p>If a selection is not made in the initial menu within 30 seconds, the printer returns to a normal boot (the same as selecting <a href="#">Continue</a>).</p> <p>If the user navigates to another menu, the timeout does not apply.</p>
Sign In				<p>Enter the administrator PIN or service PIN if one is required to open the <a href="#">Pre-boot</a> menu.</p>
Administrator				<p>This item navigates to the <a href="#">Administrator</a> submenus.</p> <p>If authentication is required (and the user is not already signed in) the <a href="#">Sign In</a> prompt displays. The user is required to sign in.</p>
	Download	<a href="#">Network</a> <a href="#">USB</a> <a href="#">USB Thumbdrive</a>		<p>This item initiates a Pre-boot firmware download process. A USB Thumbdrive option will work on all FutureSmart printers. USB or Network connections are not currently supported.</p>
	Format Disk			<p>This item reinitializes the disk and cleans all disk partitions.</p> <p><b>CAUTION:</b> Selecting the <a href="#">Format Disk</a> item removes <b>all</b> data. A delete confirmation prompt is <b>not</b> provided.</p> <p>The system is <b>not</b> bootable after this action and a <b>99.09.67</b> error displays on the control panel. A firmware download must be performed to return the system to a bootable state.</p>
	Partial Clean			<p>This item reinitializes the disk (removing all data except the firmware repository where the master firmware bundle is downloaded and saved).</p> <p><b>CAUTION:</b> Selecting the <a href="#">Partial Clean</a> item removes <b>all</b> data except the firmware repository. A delete confirmation prompt is <b>not</b> provided.</p> <p><b>CAUTION:</b> This procedure resets all printer configurations and settings to factory defaults (customer configurations and settings are lost).</p> <p>This allows a user to reformat the disk by removing the firmware image from the active directory without having to download new firmware code (printer remains bootable).</p>
	Change Password			<p>Select this item to set or change the administrator password.</p>
	Clear Password			<p>Select the <a href="#">Clear Password</a> item to remove a password from the <a href="#">Administrator</a> menu. Before the password is actually cleared, a message will be shown asking to confirm that the password should be cleared. Press the <a href="#">OK</a> button to confirm the action.</p> <p>When the confirmation prompt displays, press the <a href="#">OK</a> button to clear the password.</p>

**Table 2-2 Pre-boot menu options (2 of 7)**

Menu option	First level	Second level	Third level	Description
Administrator  (continued)	Manage Disk	Clear disk		Select the <b>Clear disk</b> item to enable using an external device for job storage. Job storage is normally enabled only for the Boot device. This will be grayed out unless the <b>99.09.68</b> error is displayed.
		Lock Disk		Select the <b>Lock Disk</b> item to lock (mate) a new secure disk to this printer.  The secure disk already locked to this printer will remain accessible to this printer. Use this function to have more than one encrypted disk accessible by the printer when using them interchangeably.  The data stored on the secure disk locked to this printer always remains accessible to this printer.
		Leave Unlocked		Select the <b>Leave Unlocked</b> item to use a new secure disk in an unlocked mode for a single service event. The secure disk that is already locked to this printer will remain accessible to this printer and uses the old disk's encryption password with the new disk.  The secure disk that is already locked to this printer remains accessible to this printer.
		Clear Disk Pwd		Select the <b>Clear Disk Pwd</b> item to continue using the non-secure disk and clear the password associated with the yet-to-be installed secure disk.  <b>CAUTION:</b> Data on the missing secure disk will be permanently inaccessible.
		Retain Password		Select the <b>Retain Password</b> item to use the non-secure disk for this session only, and then search for the missing secure disk in future sessions.
		Boot Device	Secure Erase	Select the <b>Secure Erase</b> item to erase all of the data on the disk and unlock it if required.  This might take a long time.  <b>NOTE:</b> The system will be unusable until the system files are reinstalled. The ATA secure-erase command is a one-pass overwrite, which erases the entire disk including firmware. The disk remains an encrypted disk.
			Erase/Unlock	Select the <b>Erase/Unlock</b> item to cryptographically erase all data on the disk and unlock the disk to allow a user to gain access to it from any printer.  <b>NOTE:</b> The system will be unusable until the system files are reinstalled. It erases the encryption key. The encryption key is erased, so the disk becomes a non-encrypted disk.
			Get Status	This item provides disk status information if any is available.

**Table 2-3 Pre-boot menu options (3 of 7)**

Menu option	First level	Second level	Third level	Description
Administrator	Manage Disk	Internal Device		Select the <b>Internal Device</b> item to erase the internal device or get a status about the internal device.
(continued)	(continued)		<b>Secure Erase</b>	Select the <b>Secure Erase</b> item to erase all of the data on the disk and unlock it if required.  This might take a long time.  <b>NOTE:</b> The system will be unusable until the system files are reinstalled. The ATA secure-erase command erases the entire disk, including firmware. The disk remains an encrypted disk.
			<b>Erase/Unlock</b>	Select the <b>Erase/Unlock</b> item to cryptographically erase all of the data on disk and unlock the disk to allow the user to gain access to it from any printer.  <b>NOTE:</b> The system will be unusable until the system files are reinstalled. The HP High Performance Secure Hard Disk is erased.
			<b>Get Status</b>	This item provides disk status information if any is available.
		External Device		Select the <b>External Device</b> item to erase the external device or get status about the external device.
			<b>Secure Erase</b>	Select the <b>Secure Erase</b> item to erase all of the data on the disk and unlock it if required.  This might take a long time.  <b>NOTE:</b> The system will be unusable until the system files are reinstalled.  The ATA secure-erase command erases the entire disk, including firmware. The disk remains an encrypted disk.
			<b>Erase/Unlock</b>	Select the <b>Erase/Unlock</b> item to cryptographically erase all of the data on disk and unlock the disk to allow a user to gain access to it from any printer.  <b>NOTE:</b> The system will be unusable until the system files are reinstalled. The encryption key is erased, so the disk becomes a non-encrypted disk.
			<b>Get Status</b>	This item provides disk status information if any is available.

**Table 2-4 Pre-boot menu options (4 of 7)**

Menu option	First level	Second level	Third level	Description
Administrator	Configure LAN	IP Mode [DHCP]		The network can be configured to obtain the network settings from a DHCP server or as static.
(continued)	<b>NOTE:</b> This configuration is only active when the Pre-boot menu is open.			Use this item for automatic IP address acquisition from the DHCP server.
		IP Mode [STATIC]		Use this item to manually assign the network addresses.
			IP Address	Use this item to manually enter the IP addresses.

**Table 2-4 Pre-boot menu options (4 of 7) (continued)**

Menu option	First level	Second level	Third level	Description
			Subnet Mask	Use this item to manually enter the subnet mask.
			Default Gateway	Use this item to manually enter the default gateway.
			Save	Select the <a href="#">Save</a> item to save the manual settings.

**Table 2-5 Pre-boot menu options (5 of 7)**

Menu option	First level	Second level	Third level	Description
Administrator (continued)	Startup Options			Select the <a href="#">Startup Options</a> item to specify options that can be set for the next time the printer is turned on and initializes to the <b>Ready</b> state.
		Show Revision		<b>Not currently functional:</b> Select the <a href="#">Show Revision</a> item to allow the printer to initialize and show the firmware version when the printer reaches the <b>Ready</b> state.  Once the printer power is turned on the next time, the <a href="#">Show Revision</a> item is unchecked so that the firmware revision is not shown.
		Cold Reset		Select the <a href="#">Cold Reset</a> item to clear the IP address and all customer settings. (This item also returns all settings to factory defaults.)  <b>NOTE:</b> Items in the <a href="#">Service</a> menu are not reset.
		Skip Disk Load		Select the <a href="#">Skip Disk Load</a> item to disable installed third-party applications.
		Skip Cal		Select the <a href="#">Skip Cal</a> item to skip the printer calibration for the very next power-initialization cycle only.
		Lock Service		<b>CAUTION:</b> Select the <a href="#">Lock Service</a> item to lock the <a href="#">Service</a> menu access (both in the <a href="#">Pre-boot</a> menu and the <a href="#">Device Maintenance</a> menu).  Service personnel must have the administrator remove the <a href="#">Lock Service</a> setting before they can open the <a href="#">Service</a> menu.
		Skip FSCK		Select the <a href="#">Skip FSCK</a> item to disable Chkdisk/ScanVolume during startup.
Administrator (continued)	Startup Options (continued)	First Power		<b>Not currently functional:</b> This item allows the printer to initialize as if it is the first time it has been turned on.  For example, the user is prompted to configure first-time settings like date/time, language, and other settings.  Select this item so that it is enabled for the next time the printer power is turned on.  When the printer power is turned on the next time, this item is unchecked so that the pre-configured settings are used during configuration, and the first-time setting prompt is not used.

**Table 2-5 Pre-boot menu options (5 of 7) (continued)**

Menu option	First level	Second level	Third level	Description
		Embedded Jetdirect Off		Select the <a href="#">Embedded Jetdirect Off</a> item to disable the embedded HP Jetdirect.  By default this item is unchecked so that HP Jetdirect is always enabled.
		WiFi Accessory		Select the <a href="#">WiFi Accessory</a> item to enable the wireless accessory.

**Table 2-6 Pre-boot menu options (6 of 7)**

Menu option	First level	Second level	Third level	Description
Administrator (continued)	Diagnostics			Diagnostic items are useful to diagnose hardware components and their interface connections. Use these items to troubleshoot specific hardware components, and the interface between them and other components.
		Memory	Do Not Run	Use the <a href="#">Do Not Run</a> item to exclude the <a href="#">Memory</a> diagnostic when executing multiple diagnostics.
			Short	Use the <a href="#">Short</a> item to select a brief memory test.  <b>NOTE:</b> This test requires about four minutes to execute.
			Long	Use the <a href="#">Long</a> item to select an extended memory test.  <b>NOTE:</b> This test requires about twenty minutes to execute.
		Disk	Do Not Run	Use the <a href="#">Do Not Run</a> item to exclude the <a href="#">Disk</a> diagnostic when executing multiple diagnostics.
			Short	Use the <a href="#">Short</a> item to select a brief firmware self-test.  <b>NOTE:</b> This test requires about two or three minutes to execute.
			Long	Use the <a href="#">Long</a> item to select an extended firmware self-test.  <b>NOTE:</b> This test requires about sixty minutes to execute.
			Optimized	Use the <a href="#">Optimized</a> item to select a test that checks the active sectors on the disk.  <b>NOTE:</b> This test requires about thirty minutes to execute.
			Raw	Use the <a href="#">Raw</a> item to select a test that checks every sector on the disk.  <b>NOTE:</b> This test requires about fifty minutes to execute.



**Table 2-6 Pre-boot menu options (6 of 7) (continued)**

Menu option	First level	Second level	Third level	Description
			Smart	Use the <a href="#">Smart</a> item to select a very brief test that checks the drive self-monitoring analysis and reporting technology (SMART) status—the drive detects and reports reliability indicators to help anticipate disk failures (SMART status).
		ICB Connection		Use the <a href="#">ICB</a> item to select a test that checks the communication between the formatter and interconnect board (ICB).
		CPB		Use the <a href="#">CPB</a> item to verify the integrity of the copy processor board (CPB) and the formatter PCA connections.
		Interconnect		Use the <a href="#">Interconnect</a> item to verify the integrity of the interconnect PCA (ICB) and its connections.
		Run Selected		Select the <a href="#">Run Selected</a> item to execute a selected test.  <b>NOTE:</b> If more than one test is selected, they are executed in sequence.

**Table 2-7 Pre-boot menu options (7 of 7)**

Menu option	First level	Second level	Third level	Description
Administrator  (continued)	Remote Admin	Start Telnet		The <a href="#">Remote Admin</a> item allows a service technician to access to the printer Pre-boot menu remotely, and to navigate the menu selections from a remote location.  <b>IMPORTANT:</b> A Remote Admin connection must be initiated by a person that is physically present at the printer.  This person will also need to provide a randomly generated PIN to the remote service technician.  <b>NOTE:</b> For more information about using the <a href="#">Remote Admin</a> function, see <a href="#">Remote Admin on page 82</a> .
			Stop Telnet	
			Refresh IP	
	System Triage	Copy Logs		If the device will not boot to the <b>Ready</b> state, or the diagnostic log feature found in the <a href="#">Troubleshooting</a> menu is not accessible, then use the <a href="#">System Triage</a> item to copy the diagnostic logs to a USB flash drive at the next printer start up.  The files can then be sent to HP to help diagnose the problem.
	Change Svc PWD			Use this item to change the <a href="#">Service</a> menu personal identification number (PIN).
	Reset Svc PWD			If the <a href="#">Service</a> menu personal identification number (PIN) has been changed. Use this item to reset it to the original PIN.

**Table 2-7 Pre-boot menu options (7 of 7) (continued)**

Menu option	First level	Second level	Third level	Description
Service Tools				This item requires the service access code. If the printer does not reach the <b>Ready</b> state, use this item to print the error logs. The logs can be copied to a USB storage accessory when the printer is initialized. Send these files to HP to help troubleshoot the cause of the problem.
	Reset Password			Use this item to reset the Pre-boot administrator password.
	Subsystems			For manufacturing use only. Do not change these values.
Developer Tools	Netexec			

## Remote Admin

The Remote Admin feature allows remote access the printer Pre-boot menu (BIOS environment). The printer functions as a telnet server which uses the telnet networking protocol to transmit text data. Any computer (with telnet installed and enabled) can function as the telnet client to remotely display and interact with the Pre-boot menu.



**IMPORTANT:** While the Remote Admin function allows remote access the Pre-boot menu, for security reasons the Remote Admin connection must be initiated by a person that is physically present at the printer.

This section describes the following Remote Admin items.

- [Required software and network connection](#)
- [Connect a remote connection](#)
- [Disconnect a remote connection](#)

### Required software and network connection

Before using the Remote Admin feature, make sure that the telnet network protocol is installed, and enabled, on the remote telnet client computer.




**NOTE:** This section describes enabling and configuring the telnet feature for computers using a Windows® operating system.

HP recommends that the telnet client computer be a Windows based system, however, there are other operating systems that support the telnet network protocol. For information about enabling and configuring the telnet network protocol for other operating systems, see the owner's manual for that operating system.

## Telnet client

### Enable the Windows telnet client

All computers using the Windows operating system have the telnet client installed, however, the telnet client function might not be enabled by default.

 **NOTE:** The figures and menus in this section are for the Windows 7 Enterprise® operating system. Screens and menu selections might vary slightly for other operating systems.

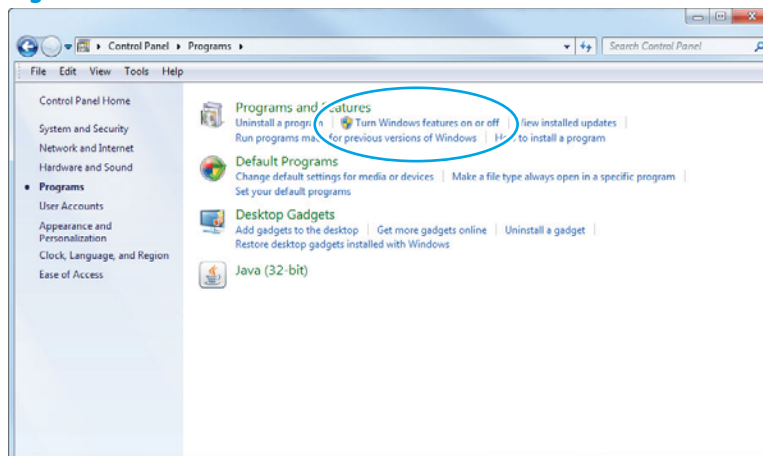
1. Use the **Start** menu to open the **Control Panel**, and then click the **Programs** item to select it.

**Figure 2-4** Open the Control Panel




2. Click the **Turn Windows features on or off** item to select it.

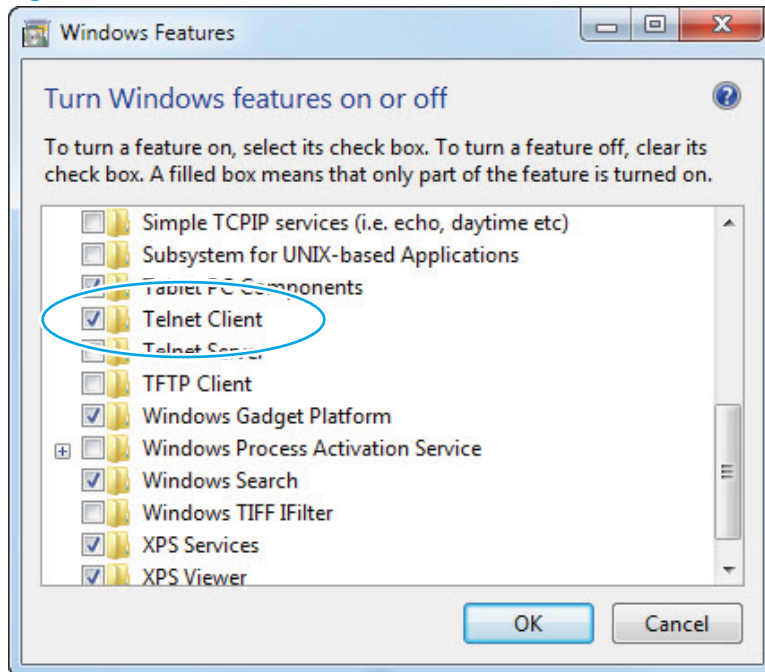
**Figure 2-5** Turn Windows features on or off



3. In the **Windows Features** box, scroll down to **Telnet Client**. If the check box is not checked, click the box to select it, and then click the **OK** button.

 **TIP:** If the check box is already checked then the telnet client function is already enabled. Click the **Cancel** button.

**Figure 2-6** Enable the telnet client feature



## Network connection


The remote telnet client computer must have direct network access to the printer for the Remote Admin function to operate. This means that the telnet client computer must be on the same network as the printer. The Remote Admin function cannot be accessed through a network firewall or other remote access network security programs.

If a private network is not accessible, ask the network administrator to set up a virtual private network (VPN) connection to the network.

## Connect a remote connection

### Start the telnet server function at the printer

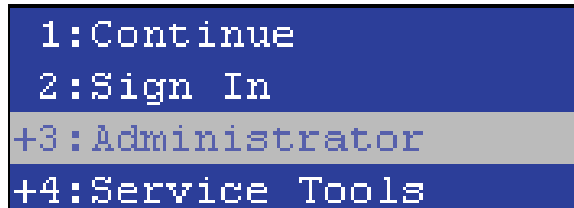
For security reasons the Remote Admin feature must be initiated by a person that is physically present at the printer. The following steps must be performed by a person that is physically present at the printer.

 **NOTE:** This person might need to sign in with an administrator or service password depending on how the printer is configured.

1. Turn the printer on.
2. The HP logo displays on the printer control panel. When a "1/8" with an underscore displays below the HP logo, touch the logo to open the **Pre-boot** menu.

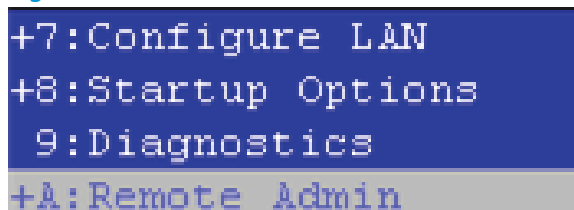
3. Use the arrow buttons on the touchscreen to scroll down and highlight the **+3:Administrator** item, and then touch the **OK** button to select it.

**Figure 2-7** Select the +3:Administrator item



4. Use the arrow buttons on the touchscreen to scroll down and highlight the **+A:Remote Admin** item, and then touch the **OK** button to select it.

**Figure 2-8** Select the +A:Remote Admin item



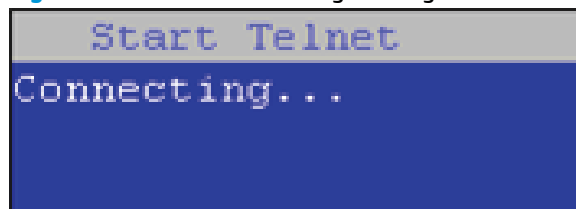
5. Use the arrow buttons on the touchscreen to scroll down and highlight the **1:Start Telnet** item, and then touch the **OK** button to select it.

**Figure 2-9** Select the 1:Start Telnet item



6. Do one of the following
  - If a connecting message displays briefly, go to step [7](#).

**Figure 2-10** Telnet connecting message



- If an error message displays, use the steps below to identify the problem.

**Figure 2-11** Telnet error message

```
Start Telnet
Unable to connect
Contact network
administrator.
```

- a. The printer network cable is not correctly connected.
  - b. The BIOS LAN settings are incorrect.
    - The printer should be configured to use a static IP address, but is configured to use DHCP instead.
    - The printer is configured to use a static IP address, but the IP address is incorrect.
  - c. The printer is correctly configured to use DHCP, but the DHCP server is not turned on or is malfunctioning.
7. When the printer telnet server function is initialized, the following screen appears. Use the information on this screen to connect the remote telnet client computer to the printer.



**NOTE:** The printer is now ready to receive remote telnet client commands.

- **IP:** The static or dynamically allocated IP address for the printer.
- **Port:** The standard telnet port (23).
- **Pin:** A randomly generated 4-digit personal identification number (PIN).

**Figure 2-12** Telnet server function initialized

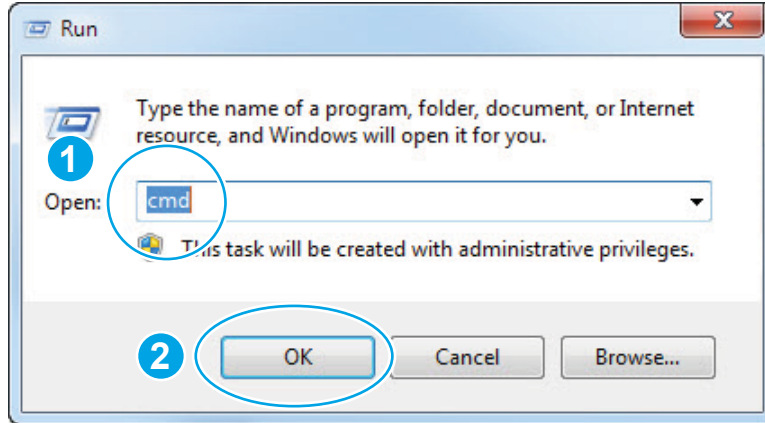
```
Start Telnet
IP: 16.88.109.66
Port: 23
Pin : 4031
```

### Start the telnet client function at the remote computer

The following steps establish a Remote Admin connection from a remote computer to the printer.

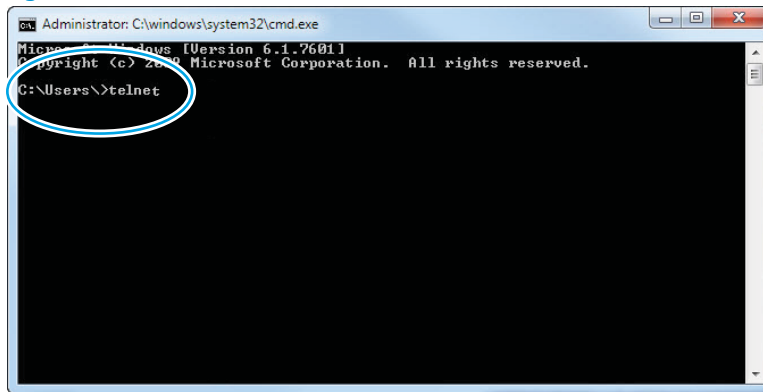
1. From the **Start** menu click **Run** to open a dialog box, type `cmd` in the **Open** field, and then click the **OK** button to open a Windows command window.

**Figure 2-13** Open a command window




2. From any displayed directory, type `telnet` at the prompt, and then press the **Enter** key.

**Figure 2-14** Start a telnet session

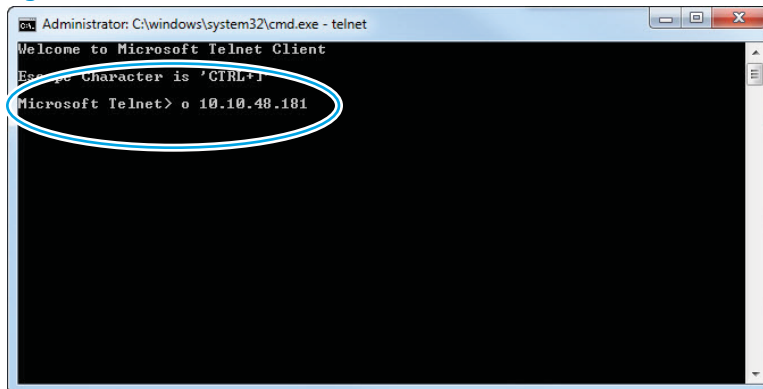


3. Type `<IP ADDRESS>` at the telnet prompt, and then press the **Enter** key.


 **NOTE:** For `<IP ADDRESS>`, substitute the IP address that was displayed in step 7 in [Start the telnet server function at the printer on page 84](#).

 **TIP:** If the telnet connection fails to establish a connection, the printer is probably behind a firewall or on a different network than the remote telnet client computer. See [Network connection on page 84](#).

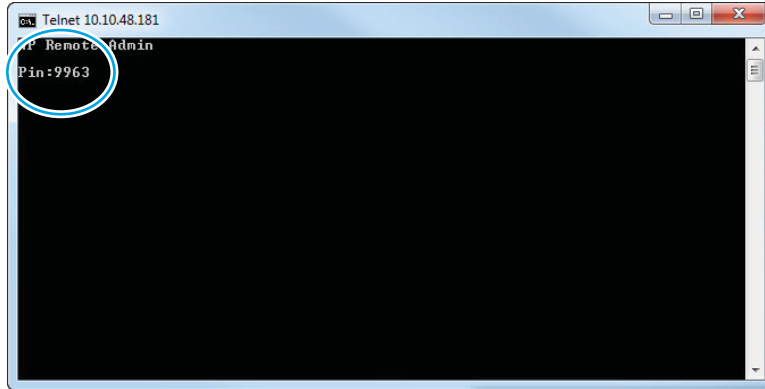
**Figure 2-15** Establish a telnet connection




4. Type the PIN that was displayed in step 7 in [Start the telnet server function at the printer on page 84](#) at the prompt, and then press the **Enter** key.

 **IMPORTANT:** Make sure to type the PIN correctly. After five incorrect PIN entries, the printer terminates the Remote Admin connection. The Remote Admin feature must be re-initiated at the printer. See [Start the telnet server function at the printer on page 84](#).

**Figure 2-16** Enter the PIN

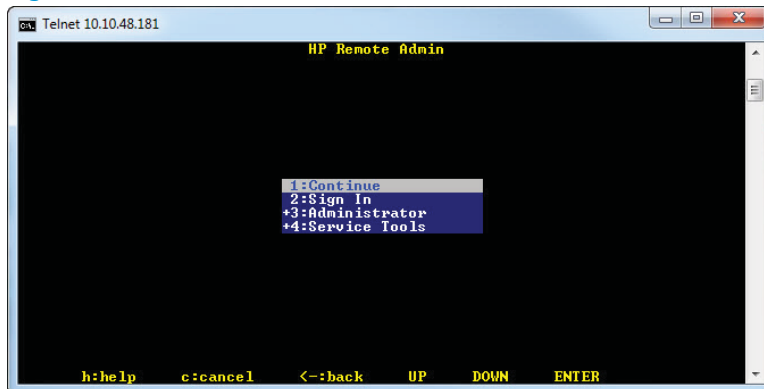


5. The following screen displays when the correct PIN is entered and the Remote Admin connection is successful. For information about the Pre-boot menu and options, see [Pre-boot menu options on page 73](#).

 **NOTE:** Because a Remote Admin connection is an unsecure telnet network protocol connection, the following Pre-boot menu items are disabled for the remote telnet client computer.


- The **+3:Administrator** menu **4:Change Password** item.
- The **+3:Administrator** menu **5:Clear Password** item.
- The **+3:Administrator** menu **6:Disk Manage** item.

**Figure 2-17** Remote Admin window



## Disconnect a remote connection

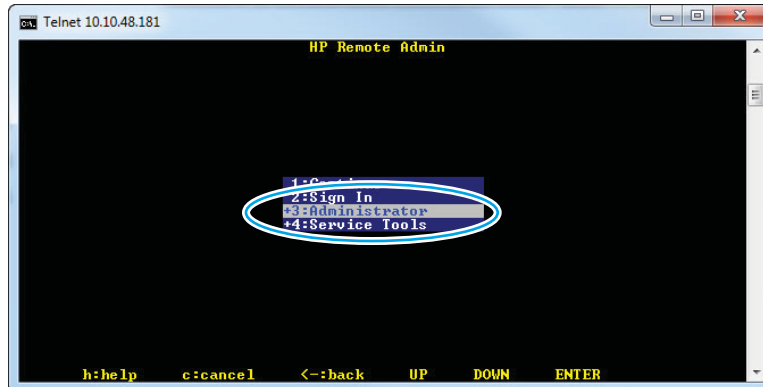
The Remote Admin connection can be terminated from the printer control panel or the remote telnet client computer.

 **NOTE:** The following procedure describes terminating a Remote Admin connection from the remote telnet client computer.



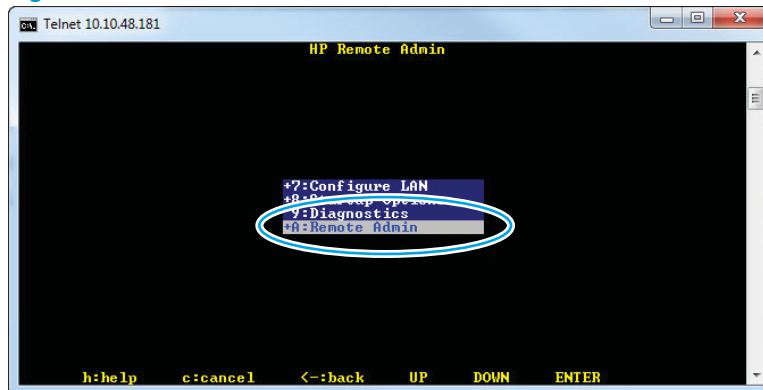
1. From the Pre-boot main menu, use the arrow buttons on the keyboard to scroll down to the **+3:Administrator** item, and then press the **Enter** key.

**Figure 2-18** Access the administrator menu




2. Use the arrow buttons on the keyboard to scroll down to the **+A:Remote Admin** item, and then press the **Enter** key.

**Figure 2-19** Access the remote admin menu

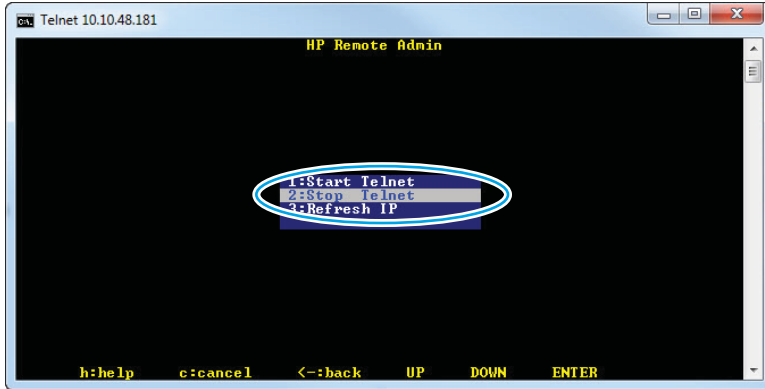


3. Use the arrow buttons on the keyboard to scroll down to the **2:Stop Telnet** item, and then press the **Enter** key. The Remote Admin connection between the printer and the remote telnet client computer terminates.

 **IMPORTANT:** The printer remains in the Pre-boot menu. Have the person that is physically present at the printer do the following:

- Touch the **Home** button to return to the main Pre-boot menu and highlight the **1:Continue** item, and then touch the **OK** button. The printer will continue to initialize.

**Figure 2-20** Terminate the telnet connection



# Troubleshooting process

- [Determine the problem source](#)
- [Power subsystem](#)
- [Control panel checks](#)

## Determine the problem source

When the printer malfunctions or encounters an unexpected situation, the printer control panel alerts the user to the situation. This section contains a pre-troubleshooting checklist to filter out many possible causes of the problem. Use the troubleshooting flowchart to help diagnose the root cause of the problem. The remainder of this chapter provides steps for correcting problems.

- Use the troubleshooting flowchart to pinpoint the root cause of hardware malfunctions. The flowchart provides guides to the section of this chapter that contain steps to correct the malfunction.

Before beginning any troubleshooting procedure, check the following issues:

- Are supply items within their rated life?
- Does the configuration page reveal any configuration errors?



**NOTE:** The customer is responsible for checking supplies and for using supplies that are in good condition.

## Troubleshooting flowchart

This flowchart highlights the general processes to follow to quickly isolate and solve printer hardware problems.

Each row depicts a major troubleshooting step. Follow a “yes” answer to a question to proceed to the next major step. A “no” answer indicates that more testing is needed. Go to the appropriate section in this chapter, and follow the instructions there. After completing the instructions, go to the next major step in this troubleshooting flowchart.

**Table 2-8 Troubleshooting flowchart**

<b>1</b> <b>Power on</b>	Is the printer on and does a readable message display?		Follow the power-on troubleshooting checks. See <a href="#">Power subsystem on page 92</a> .
	Yes ↓	No →	After the control panel display is functional, see step 2.
<b>2</b> <b>Control panel messages</b>	Does the message <b>Ready</b> display on the control panel?		After the errors have been corrected, go to step 3.
	Yes ↓	No →	
<b>3</b> <b>Event log</b>	Open the <a href="#">Troubleshooting</a> menu and print an event log to see the history of errors with this printer.		If the event log does not print, check for error messages.
	Does the event log print?		If paper jams inside the printer, see the jams section of the printer service manual.
	Yes ↓	No →	If error messages display on the control panel when trying to print an event log, see the control panel message section of the printer troubleshooting service manual.  After successfully printing and evaluating the event log, see step 4.

**Table 2-8 Troubleshooting flowchart (continued)**

<b>4</b> <b>Information pages</b>	Open the <a href="#">Reports</a> menu and print the configuration pages to verify that all the accessories are installed.		If accessories that are installed are not listed on the configuration page, remove the accessory and reinstall it.  After evaluating the configuration pages, see step 5.
	Are all the accessories installed?		
	Yes ↓	No →	
<b>5</b> <b>Print quality</b>	Does the print quality meet the customer's requirements?		Compare the images with the sample defects in the image defect tables. See the images defects table in the printer repair service manual.  After the print quality is acceptable, see step 6.
	Yes ↓	No →	
<b>6</b> <b>Interface</b>	Can the customer print successfully from the host computer?		Verify that all I/O cables are connected correctly and that a valid IP address is listed on the HP Jetdirect configuration page.  If error messages display on the control panel when trying to print an event log, see the control-panel message section of the printer troubleshooting service manual.  When the customer can print from the host computer, this is the end of the troubleshooting process.
	Yes. This is the end of the troubleshooting process.	No →	

## Power subsystem

### Power-on checks

The basic printer functions should start up when the printer is connected into an electrical outlet and the power switch is pushed to the *on* position. If the printer does not start, use the information in this section to isolate and solve the problem.

If the control panel display remains blank, random patterns display, or asterisks remain on the control panel display, perform power-on checks to find the cause of the problem.



**NOTE:** For touchscreen control panel models, also try the control panel checks in the printer troubleshooting manual.

### Power-on troubleshooting overview

During normal operation, a cooling fan begins to spin briefly after the printer power is turned on. Place a hand over the vents in the rear cover, near the formatter. When the fan is correctly operating, air passing out of the printer is felt. Lean close to the printer to hear the fan operating. If the fan is operating, the dc side of the power supply is functioning.

After the fan is operating, the main motor turns on (unless the top cover is open, a jam condition is sensed, or the paper-path sensors are damaged). Visually and audibly determine that the main motor is turned on.

If the fan and main motor are operating correctly, the next troubleshooting step is to isolate print engine, formatter, and control panel problems. Perform an engine test. If the formatter is damaged, it might interfere with the engine test. If the engine-test page does not print, try removing the formatter, and then performing the engine test again. If the engine test is then successful, the problem is almost certainly with the formatter, the control panel, or the cable that connects them.

## Troubleshooting power on problems

1. Verify that power is available to the printer. If the printer is plugged into a surge protector or uninterruptible power supply (UPS), remove it, and then plug the printer directly into a known operating wall receptacle (make sure that the wall receptacle provides the correct voltage and current for the printer).

Unplug any other devices on the same circuit that the printer is using.

2. Try another known operating wall receptacle and a different power cord.
3. Listen for startup noises (fans and motors) and illuminated lights on the control panel.



**NOTE:** Operational fans, motors, and control-panel lights indicate the following:

- AC power is present at the printer.
  - The power supply is providing either or both 24 Vdc and 5 Vdc voltages.
  - The DC controller microprocessor is functioning.
- 

4. If startup noises are not heard, check the following:

- a. Turn the printer on, and then listen for startup noises. If normal startup noises are heard, go to step 5.



**NOTE:** The control panel will be blank with the formatter removed.

---

- b. Turn the printer off, and then remove any installed accessories (for example, envelope feeders, paper feeders, or output accessories).

Turn the printer on, and then listen for startup noises. If normal startup noises are heard, the problem might be with one of the accessories.

- c. If normal startup noises and lights are still not present, replace the power supply.
- d. If after replacing the power supply normal startup noises are still not heard, replace the DC controller.



**NOTE:** If the error persists after replacing these assemblies, escalate the problem to the Global Business Unit (GBU).

---

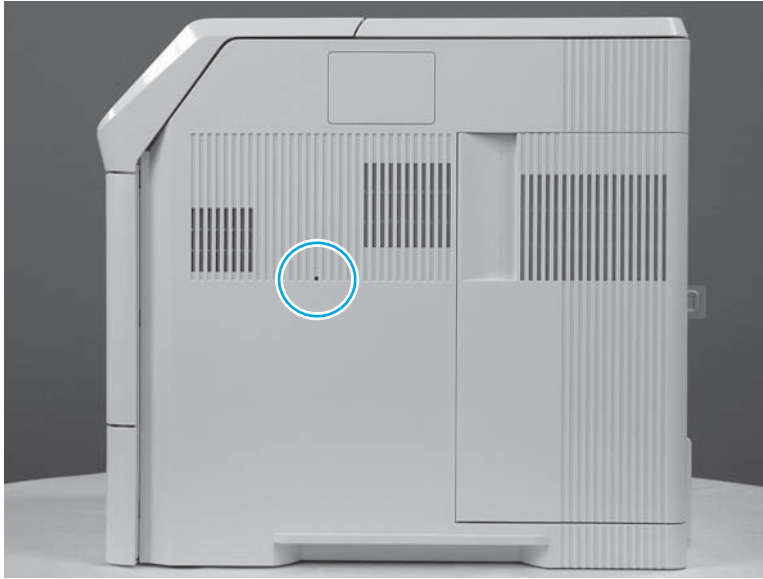
5. Try printing an engine test page.

- a. Use a small pointed object to depress the test-page switch located on the right-hand side of the printer.



**NOTE:** The test page can only use Tray 2 as the paper source, so make sure that paper is loaded in Tray 2.

---



- b. If the engine test page prints, the print engine is operating normally (a failed engine test print page does not necessarily indicate that the print engine or DC controller is defective).



**NOTE:** If the engine test page does not print, turn the printer off, remove the embedded Multimedia Card (eMMC), and then try the engine test again. If the page prints, the problem might be the eMMC.

### Troubleshooting a blank control panel

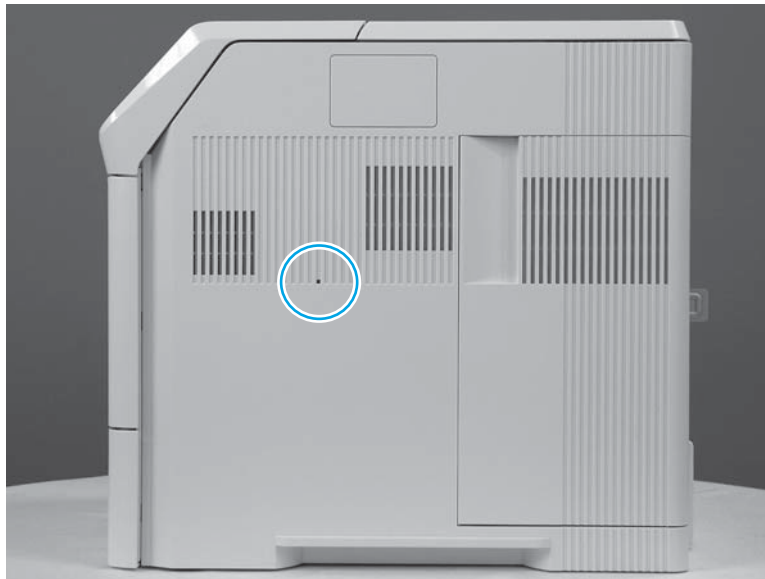
A blank control panel display can be caused by one or more of the following:

- No power to the printer.
  - Power supply has tripped (over-current/over-voltage/temperature issue).
  - Check the cables and connections on the formatter and at the control panel.
  - Make sure that the embedded Multimedia Card (eMMC) PCA is fully seated.
  - For touchscreen models, use the control panel checks section in the printer troubleshooting manual to troubleshoot the control panel
  - Faulty components installed on the formatter (for example, memory DIMM or disk drive).
  - Faulty control panel.
1. Verify that power is available to the printer. If the printer is plugged into a surge protector or uninterruptible power supply (UPS), remove it, and then plug the printer directly into a known operating wall receptacle (make sure that the wall receptacle provides the correct voltage and current for the printer).
  2. Make sure that the power switch is in the *on* position.
  3. Make sure that the fan runs briefly, which indicates that the power supply is operational.
  4. Make sure that the control-panel display wire harness is connected.

5. Make sure that the formatter connectors are fully seated. Make sure the power switch is in the on position, and then verify that the heartbeat LED is blinking and that the connectivity LED is illuminated.
6. Remove any external solutions, and then try to turn the printer on again.
7. If the control panel display is blank, but the main cooling fan runs briefly after the printer power is turned on, try printing an engine-test page to determine whether the problem is with the control-panel display, formatter, or other printer assemblies.
  - a. Remove the formatter.
  - b. Use a small pointed object to depress the test-page switch located on the rear of the printer.



**NOTE:** The test page can only use Tray 2 as the paper source, so make sure that paper is loaded in Tray 2.



- c. If the engine test page prints, the print engine is operating normally (a failed engine test print page does not necessarily indicate that the print engine or DC controller is defective).
  - d. Use the control-panel diagnostics to test the control panel. See the control panel checks section in the printer troubleshooting manual. If the error persists, proceed to step 8.
8. If the print engine appears to be correctly operating (the engine test page successfully printed) and the control panel is still blank, replace the power supply.
9. If after replacing the power supply normal startup noises and lights are still not present, replace the DC controller.



**NOTE:** If the error persists after replacing these assemblies, escalate the problem to the Global Business Unit (GBU).

## Control panel checks



**NOTE:** The printer includes a diagnostic test mode for the touchscreen control panel. Diagnostic tests are not available for the LCD control panel.

- [Control-panel diagnostics](#)

- [Control panel diagnostic flowcharts \(M605x and M606x only\)](#)

## Control-panel diagnostics

- [Touchscreen diagnostic mode \(M605x and M606x only\)](#)
- [Control-panel system diagnostics \(touchscreen control panel\)](#)

### Touchscreen diagnostic mode (M605x and M606x only)

Use the diagnostics in this section to test the control-panel hardware and embedded firmware. These tests are useful for checking control-panel functionality independent of the printer control-panel system diagnostics. To test the control panel using the system diagnostics, see [Control-panel system diagnostics \(touchscreen control panel\) on page 100](#).

1. Locate the diagnostic-tests access button on the back of the control panel.


**Figure 2-21** Diagnostic-tests access button





2. Press the diagnostics-access button. Repeatedly pressing the button cycles through the available diagnostics.


 **NOTE:** A pen, pencil, or other small blunt object is needed to press the button.


 **TIP:** When pressed, the button illuminates green.

**Figure 2-22** Press the diagnostics-access button

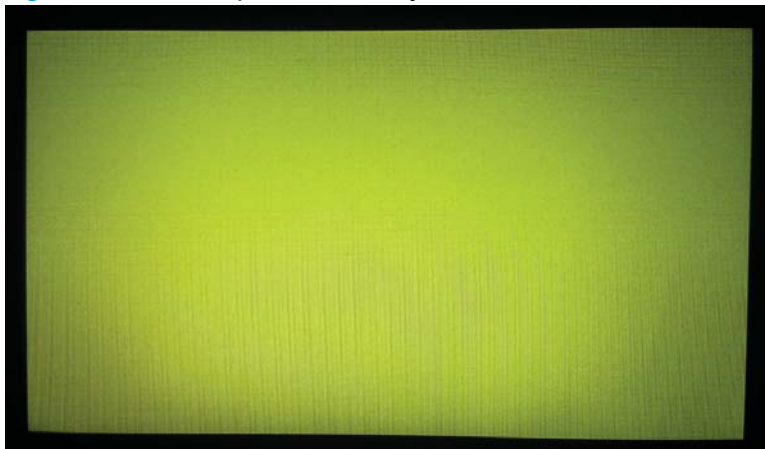


3. A yellow screen appears (after the first press of the button) indicating that the control-panel firmware is version A (a magenta screen indicates version B firmware).

 **NOTE:** If a different color appears on the screen, contact your global business unit (GBU) to determine the firmware version.


 **TIP:** After 4 seconds of inactivity, the diagnostic mode times out and is exited.

**Figure 2-23** Control-panel version A yellow screen

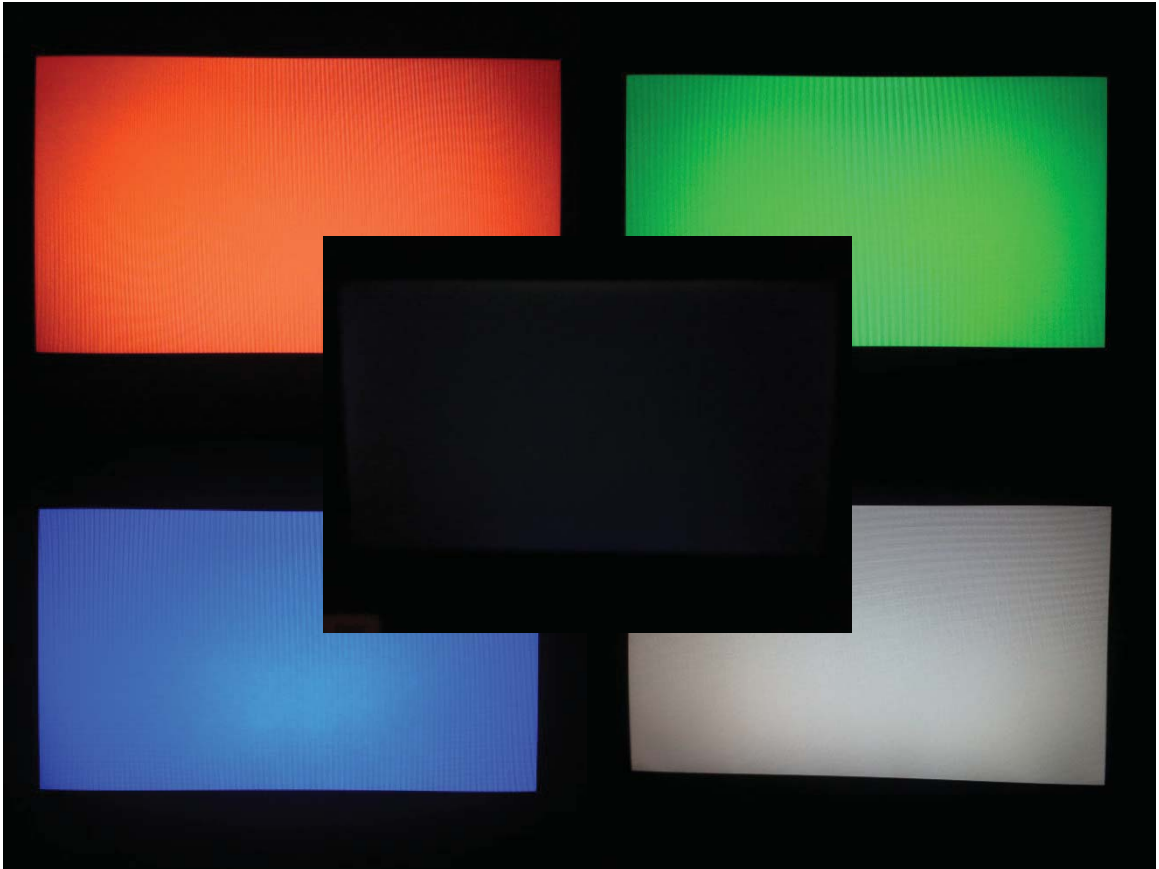


4. Touch the screen to cycle the screen through the following:

- A red screen, a green screen, and a blue screen.
- Five brightness levels of a white screen.
- A final black screen.

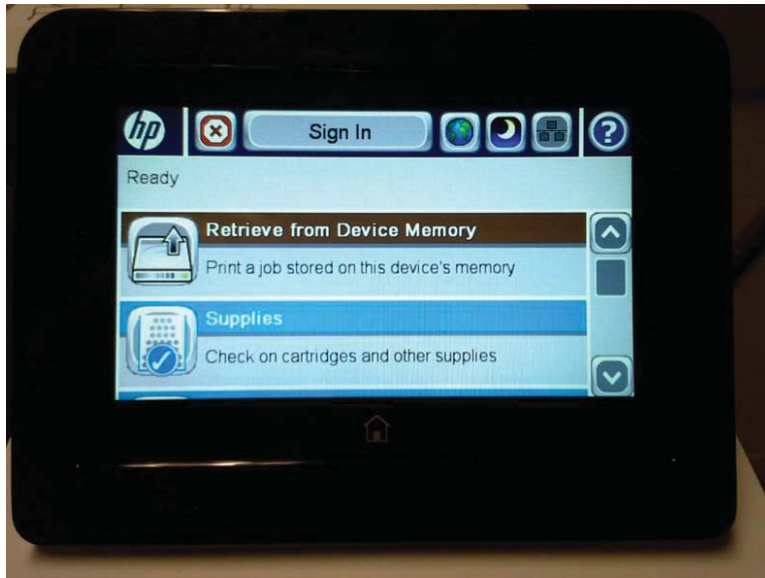
 **TIP:** When the final black screen displays, press the Home button to cycle through the diagnostic screens and test its functionality.

**Figure 2-24** Touch the screen to advance colored screens



5. Pressing the diagnostic-tests button with the black screen displayed, exits the diagnostic mode.

**Figure 2-25** Exit the diagnostic mode



## Control-panel system diagnostics (touchscreen control panel)

Use the diagnostics in this section to test the control-panel hardware and display using the printer firmware system diagnostics.

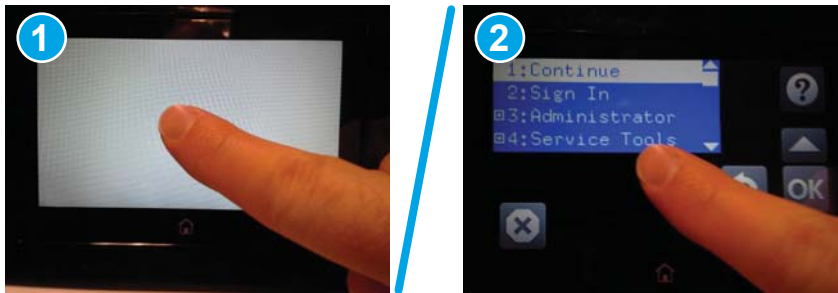
- [Open the control-panel system diagnostic tests](#)
- [Screen test](#)
- [Touch test](#)
- [SoftKey test](#)
- [Backlight test](#)
- [Sound test](#)
- [Keyboard test](#)
- [Version](#)

### Open the control-panel system diagnostic tests

#### Open the control-panel system diagnostic tests from a touchscreen control panel

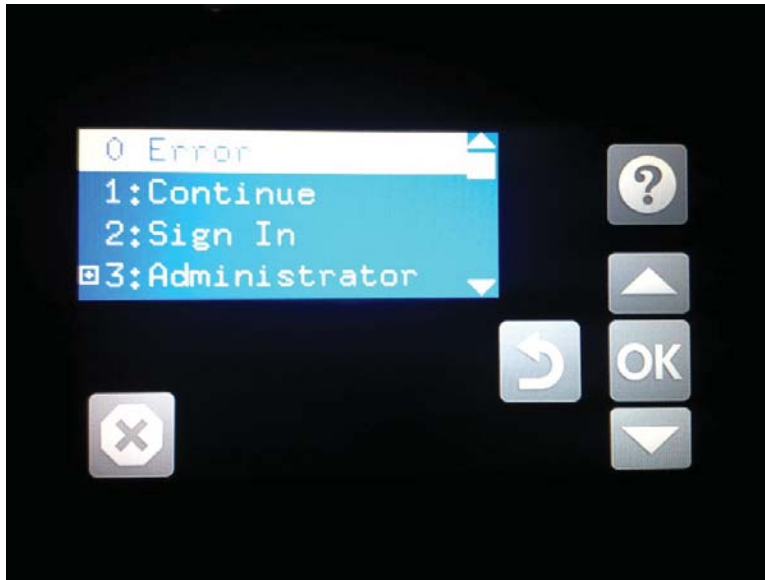
1. Touch the HP logo in the middle of the control-panel display when you see the 1/8 under the logo.

**Figure 2-26** Open the Pre-boot menu



2. On the **Pre-boot** menu screen, use the following buttons to navigate the tests.

**Figure 2-27** Pre-boot menu



Use this button to see more information about a selected item.



Use this button to scroll up through menu items.



Use this button to select a highlighted menu item.



Use this button to scroll down through menu items.



Use this button to go back to the previous menu.



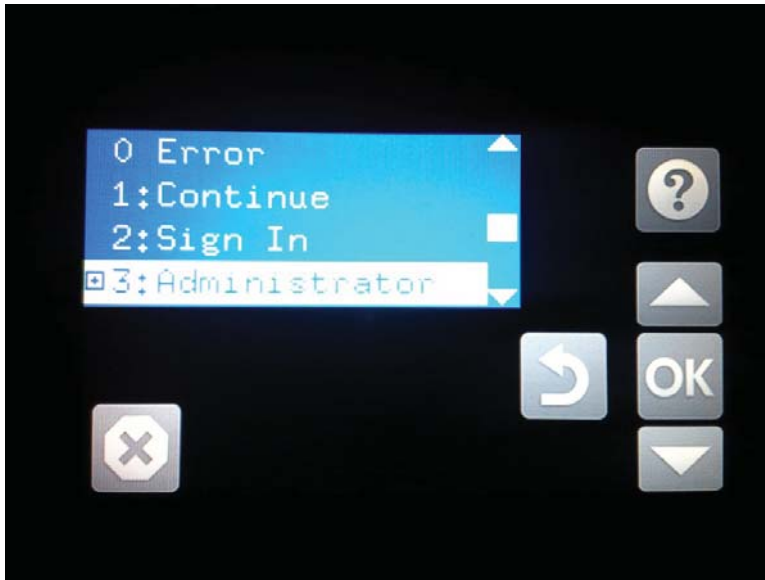
Not used.



Use this button to exit a diagnostic test.

- Use the **down arrow** ▼ button to scroll to **+3 Administration**, and then press the **OK** button to select it.

**Figure 2-28** Access the administration menu



- Use the **down arrow** ▼ button to scroll to **+E CP Diagnostics**, and then press the **OK** button to select it.

 **NOTE:** An administrator password might be required to continue.

**Figure 2-29** Access the diagnostics menu



## Screen test

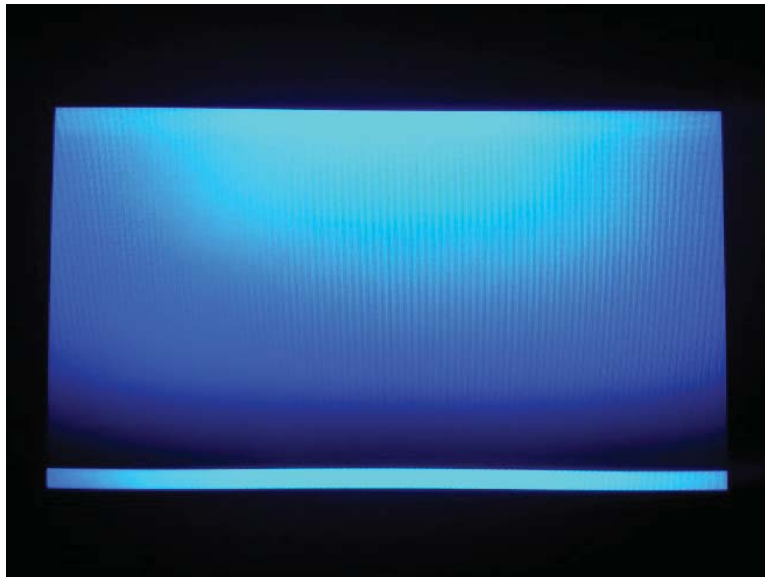
1. Open the control-panel system diagnostic tests. See [Open the control-panel system diagnostic tests on page 100](#).
2. With 1 Screen Test highlighted, press the OK button to select it.

**Figure 2-30** Open the screen test



3. The blue vertical gradient screen appears.

**Figure 2-31** Blue vertical gradient screen

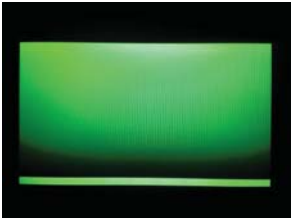


4. Touch the touchscreen to scroll through the remaining touchscreen test screens.

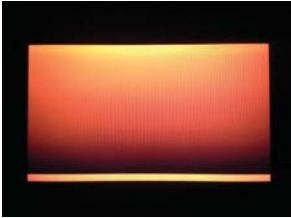
---

 **NOTE:** Touch the Home button to exit the test.

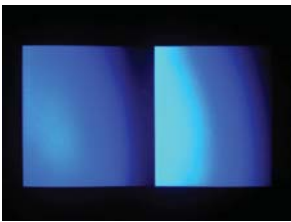
---



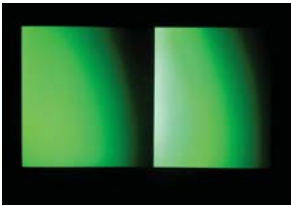
Green vertical gradient



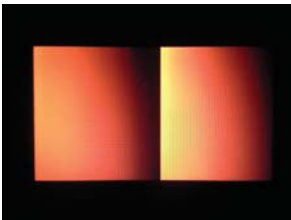
Red vertical gradient



Blue horizontal gradient



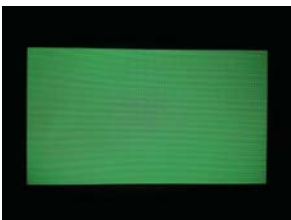
Green horizontal gradient



Red horizontal gradient



Blue with black horizontal interlaced

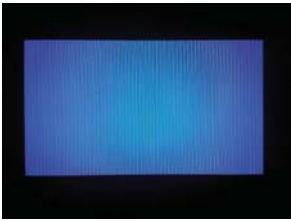


Green with black horizontal interlaced

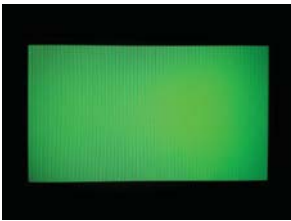




Red with black horizontal interlaced



Blue with black vertical interlaced



Green with black vertical interlaced



Red with black vertical interlaced



Black with white center

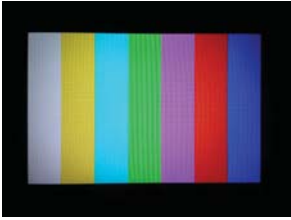


White with black center

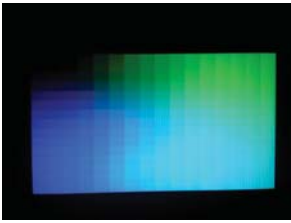


Checkerboard

---



Multicolor stripes



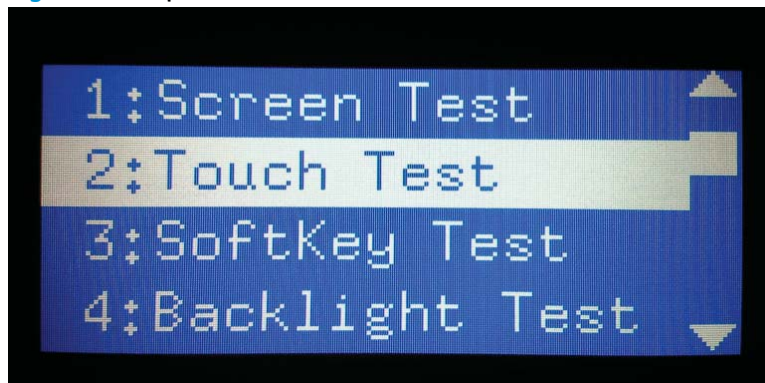
Blue green grid meshing

---

## Touch test

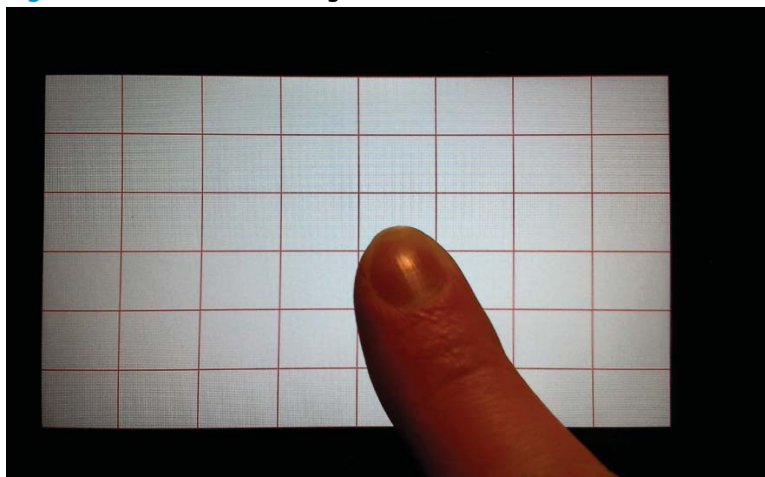
1. Open the control-panel system diagnostic tests. See [Open the control-panel system diagnostic tests on page 100](#).
2. Use the **down arrow ▼** button to scroll to **2 Touch Test**, and then press the **OK** button to select it.

**Figure 2-32** Open the touch test



3. Use your finger to touch the white grid on the display.

**Figure 2-33** Touch the white grid



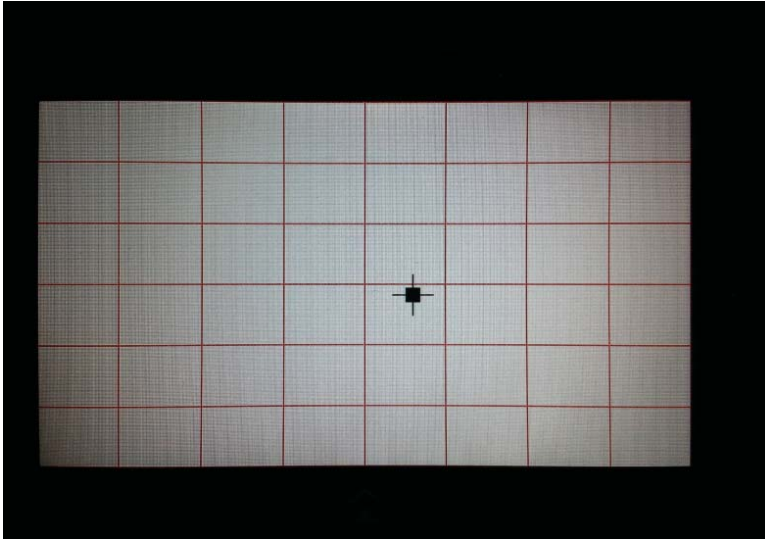
4. A mark appears on the grid where it was touched.

---

 **NOTE:** Touch the Home button to exit the test.

---

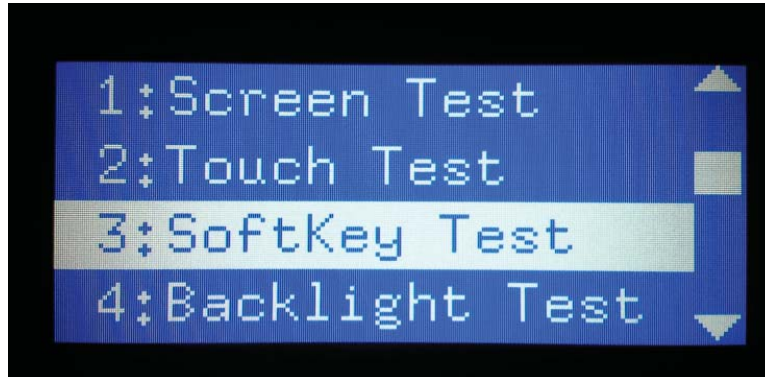
**Figure 2-34** Verify the mark



## SoftKey test

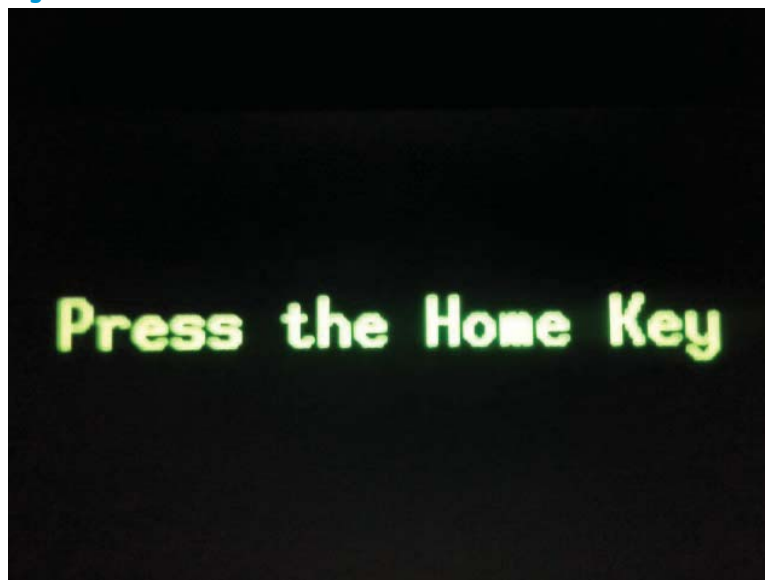
1. Open the control-panel system diagnostic tests. See [Open the control-panel system diagnostic tests on page 100](#).
2. Use the **down arrow ▼** button to scroll to **3 SoftKey Test**, and then press the **OK** button to select it.

**Figure 2-35** Open the softkey test




3. When prompted, touch the Home button.

**Figure 2-36** Touch the Home button

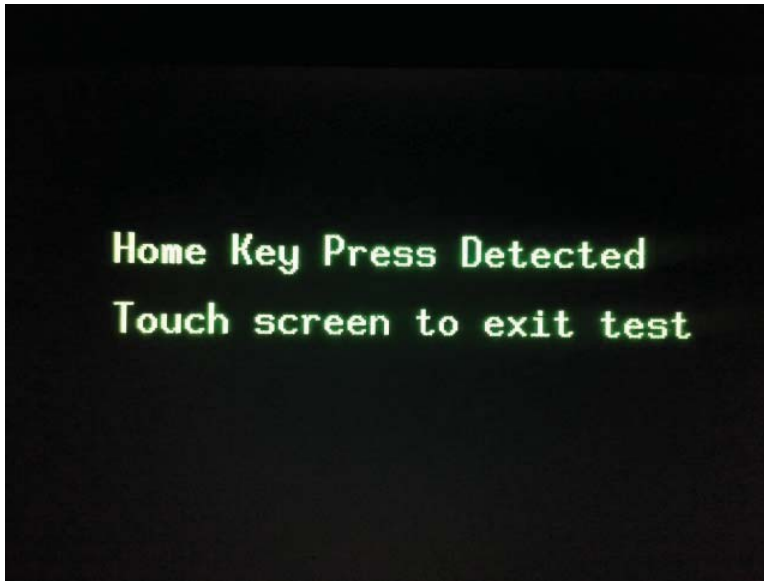


4. If the test is successful, the following screen appears on the display.

 **NOTE:** Touch the screen to exit the test.


---

**Figure 2-37** Successful test



## Backlight test

1. Open the control-panel system diagnostic tests. See [Open the control-panel system diagnostic tests on page 100](#).
2. Use the **down arrow ▼** button to scroll to **4 Backlight Test**, and then press the **OK** button to select it.  
After selecting the **4 Backlight Test**, the screen automatically dims, and then returns to full brightness.

 **NOTE:** Touch any key to exit the test.

**Figure 2-38** Open the backlight test




## Sound test

1. Open the control-panel system diagnostic tests. See [Open the control-panel system diagnostic tests on page 100](#).
2. Use the **down arrow** ▼ button to scroll to **5 Sound Test**, and then press the **OK** button to select it.

After selecting the **5 Sound Test**, the printer emits a series of audible tones.

---

 **NOTE:** Touch any key to exit the test.


---

**Figure 2-39** Open the sound test





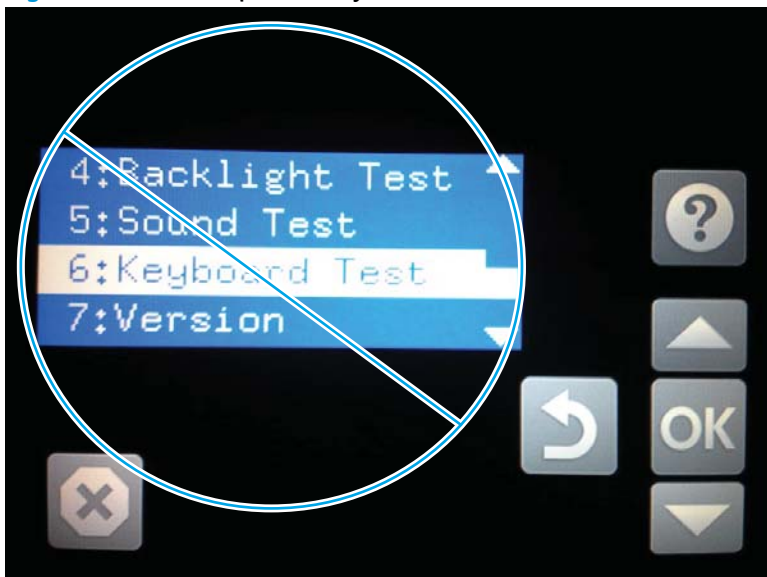
## Keyboard test

 **IMPORTANT:** The control-panel system diagnostic tests include a 6 Keyboard Test item. For this printer, this test is **not** valid.

If the 6 Keyboard Test is opened, the printer power must be turned off to exit the test.


HP does not recommend turning the printer power off during the control-panel system diagnostic tests.

**Figure 2-40** Do not open the keyboard test



## Version

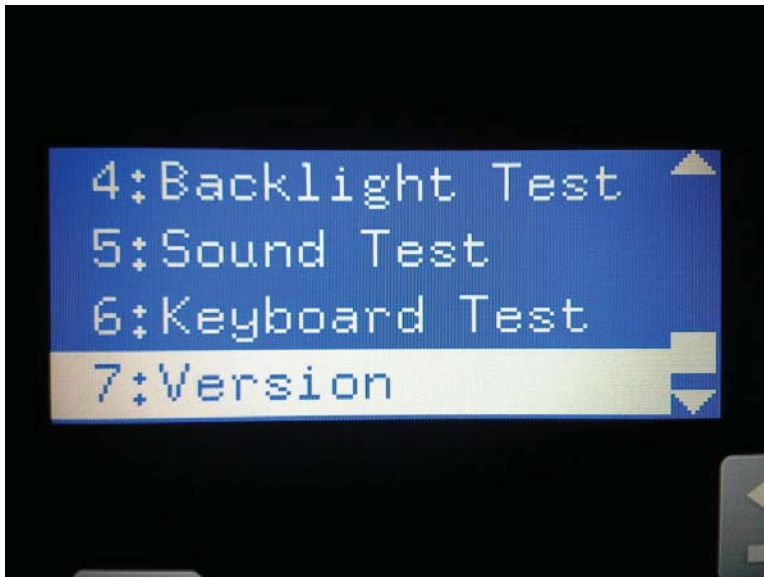
1. Open the control-panel system diagnostic tests. See [Open the control-panel system diagnostic tests on page 100](#).
2. Use the [down arrow ▼](#) button to scroll to **7 Version**, and then press the **OK** button to select it.

 **NOTE:** Touch any key to exit the test.

Select **7 Version** to view the following types of information:

- Panel ID
- Hardware (version)
- Firmware (version)
- KB Hw (version)
- KB Firm (version)
- LCD Vendor
- Touch Controller Version

**Figure 2-41** Open the sound test



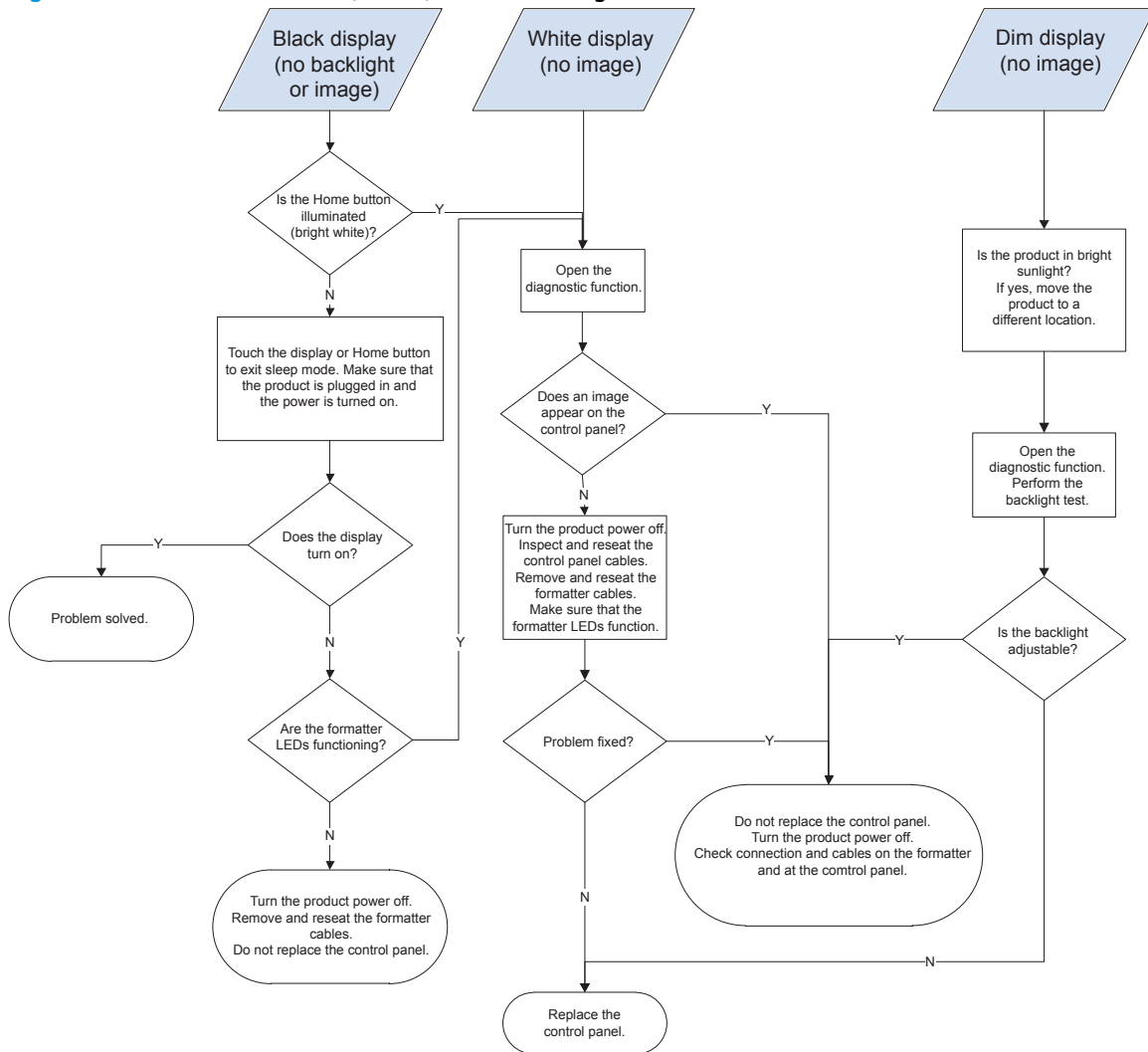
## Control panel diagnostic flowcharts (M605x and M606x only)

Use the flowcharts in this section to troubleshoot the following control panel problems.


- Touchscreen is blank, white, or dim (no image).
- Touchscreen is slow to respond or requires multiple presses to respond.
- Touchscreen has an unresponsive zone.
- No control panel sound.
- [Home](#) button is unresponsive.
- Hardware integration pocket (HIP) is not functioning (control panel functional).

## Touchscreen black, white, or dim (no image)

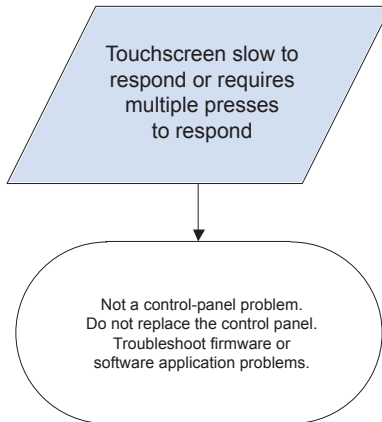
Figure 2-42 Touchscreen blank, white, or dim (no image)



## Touchscreen is slow to respond or requires multiple presses to respond

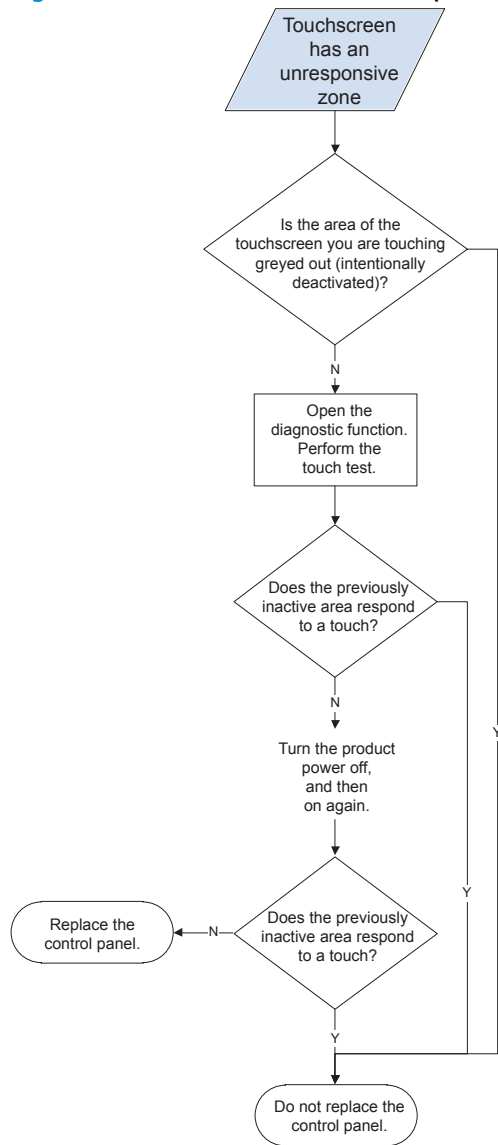
 **TIP:** Use the red-grid touch test to verify that all areas of the touchscreen are correctly functioning. See [Touch test on page 107](#).

**Figure 2-43** Touchscreen is slow to respond or requires multiple presses to respond



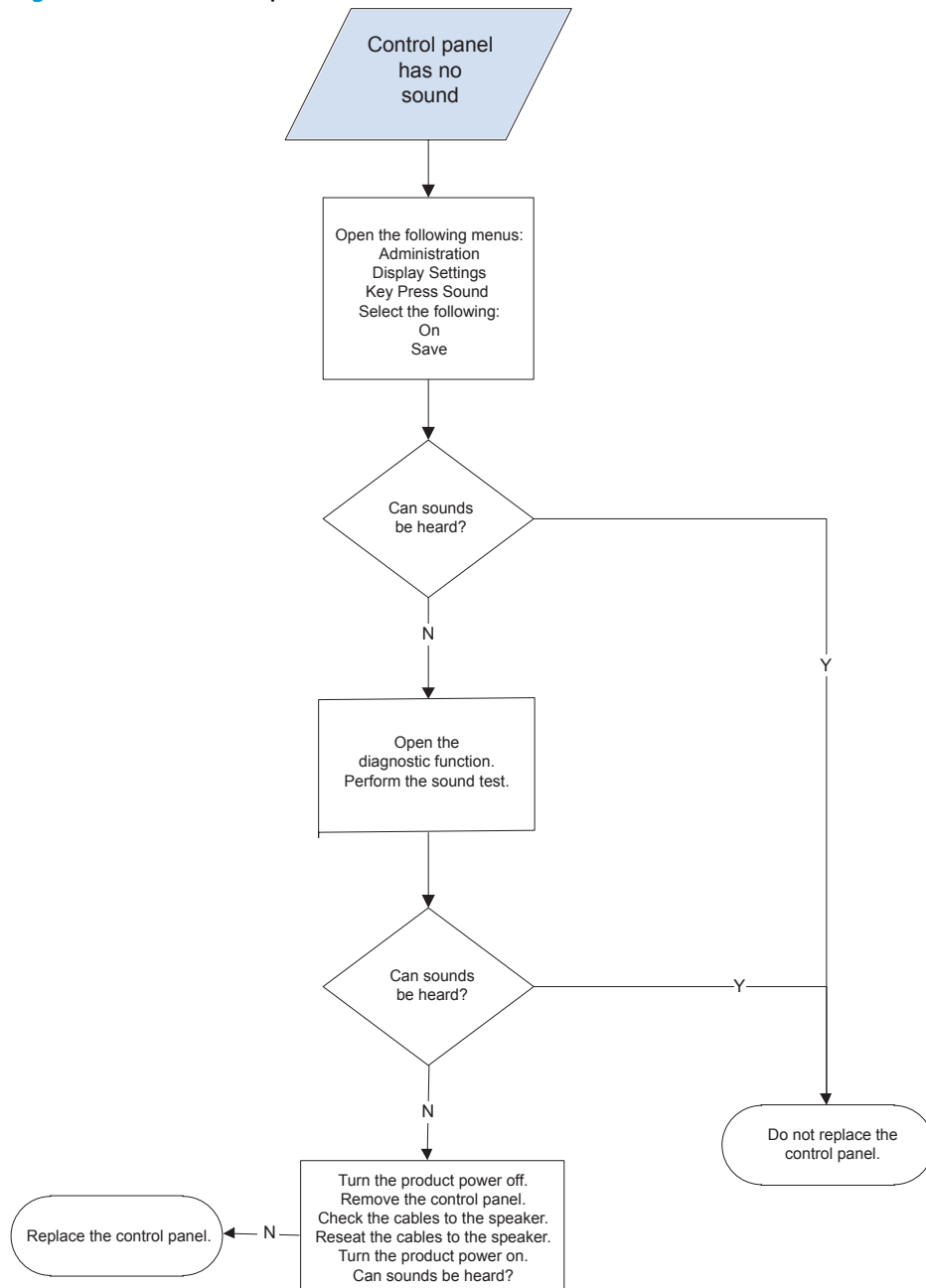
## Touchscreen has an unresponsive zone

Figure 2-44 Touchscreen has an unresponsive zone



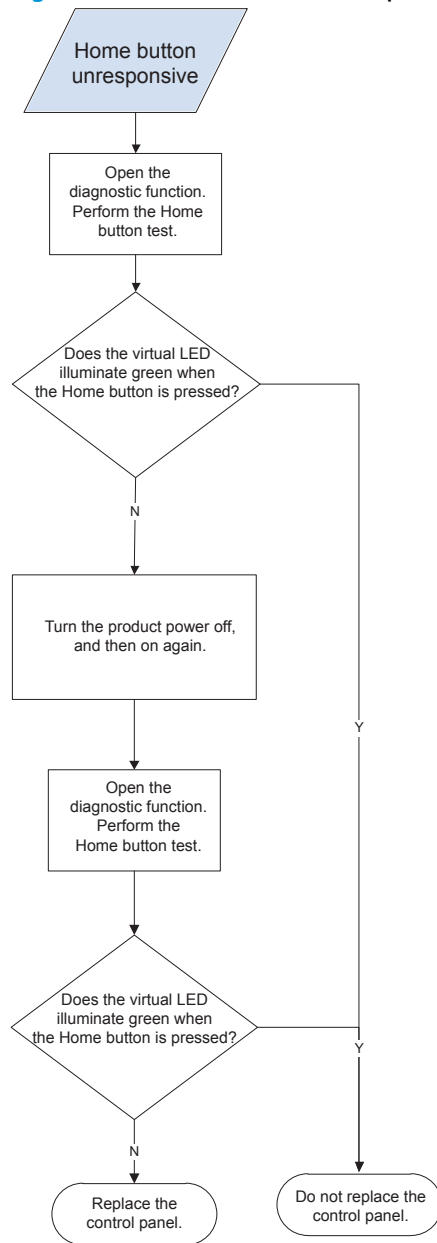
## No control panel sound

Figure 2-45 No control panel sound



## Home button is unresponsive

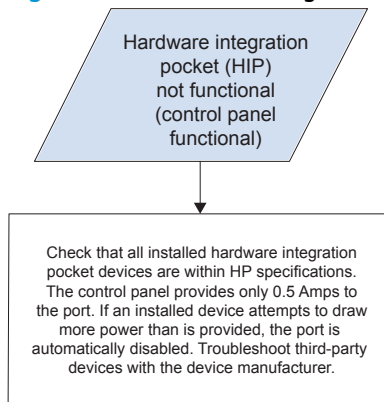
Figure 2-46 Home button is unresponsive





## Hardware integration pocket (HIP) is not functioning (control panel functional)

**Figure 2-47** Hardware integration pocket (HIP) is not functioning (control panel functional)



# Tools for troubleshooting

The section describes the tools that can help solve problems with the printer.

- [Individual component diagnostics](#)
- [Diagrams](#)
- [Internal print-quality test pages](#)
- [Control-panel menus](#)
- [Control panel message document \(CPMD\)](#)

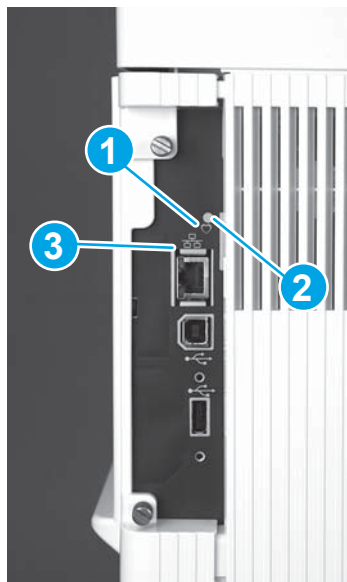
## Individual component diagnostics

### Tools for troubleshooting: LED diagnostics

LED, engine, and individual diagnostics can identify and troubleshoot printer problems.

#### Understand lights on the formatter

Two LEDs on the formatter indicate that the printer is functioning correctly.



- 
- |   |                   |
|---|-------------------|
| 1 | Heartbeat LED     |
| 2 | HP Jetdirect LEDs |
- 

#### Heartbeat LED

The heartbeat LED indicates that the formatter is functioning correctly. The LED indicates the following printer functionality:

- Amber and blinking: control panel not detected
- Amber and solid: FFC between the formatter and DC controller not connected or damaged

## HP Jetdirect LEDs

The embedded HP Jetdirect print server has two LEDs. The yellow LED indicates network activity, and the green LED indicates the link status. A blinking yellow LED indicates network traffic. If the green LED is off, a link has failed.

For link failures, check all the network cable connections. In addition, try to manually configure the link settings on the embedded print server by using the printer control-panel menus.

1. From the [Home](#) screen on the printer control panel, scroll to and touch the [Administration](#) button.
2. Open the following menus:
  - [Network Settings](#)
  - [Embedded Jetdirect Menu](#)
  - [Link Speed](#)
3. Select the appropriate link speed, and then touch the [OK](#) button.

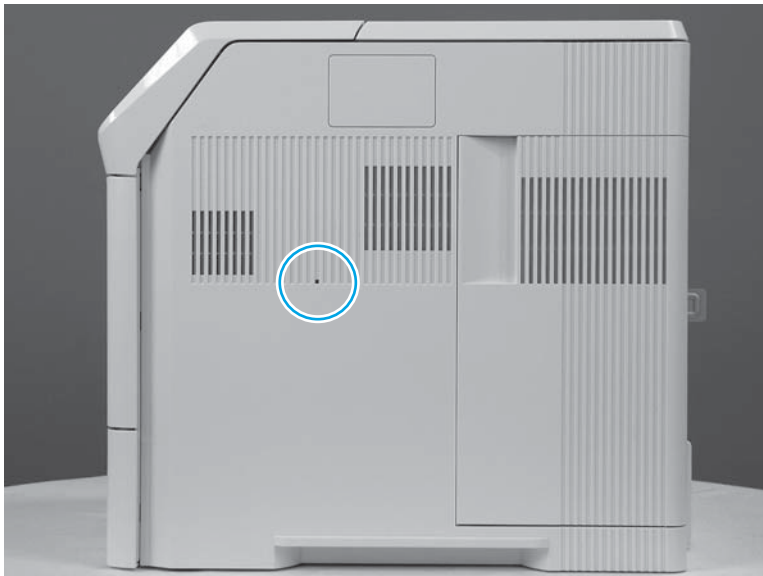
## Tools for troubleshooting: Engine diagnostics

The printer contains extensive internal engine diagnostics that help in troubleshooting print quality, paper path, noise, assembly, and timing issues.

### Engine test button

To verify that the printer engine is functioning, print an engine test page. Use a small pointed object to depress the test-page switch located on the right-hand side of the printer. The test page should have a series of lines that are parallel to the short end of the page. The test page can use only Tray 2 as the paper source, so make sure that paper is loaded in Tray 2.

**Figure 2-48** Engine test button



## Defeating interlocks

Different tests can be used to isolate different types of issues. For assembly or noise isolation, run the diagnostic test when the cartridge door is open. To operate the printer with the door open, two switch levers must be depressed to simulate a closed-cover position.

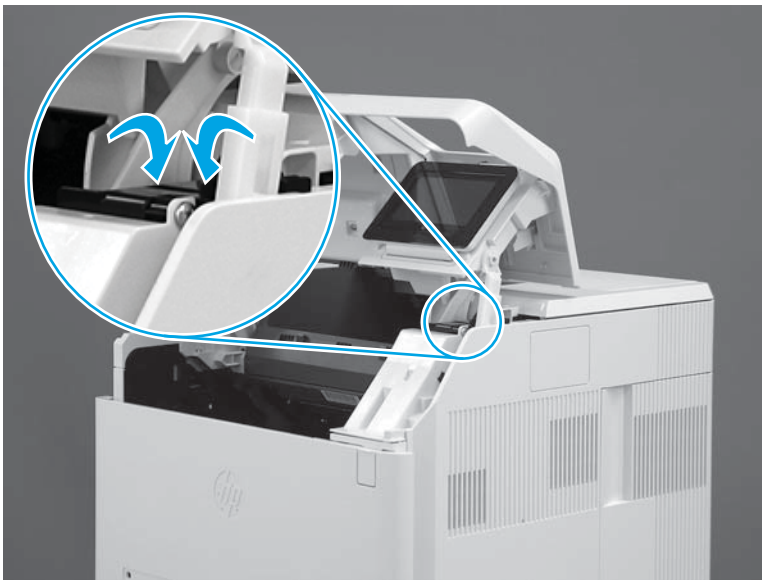
**⚠ WARNING!** Be careful when performing printer diagnostics to avoid risk of injury. Only trained service personnel should open and run the diagnostics with the door opened. Never touch any of the power supplies when the printer is turned on.

1. Open the cartridge door.
2. Insert two folded pieces of paper into one slot (this slot contains both of the interlock switch levers).

Right door switches: insert a folded piece of paper into two slots.

**💡 TIP:** Fold a stiff piece of paper, for example a business card or index card, into two 10 mm (.375 in) strips, and insert the strips into the slot for the cartridge door logic switches.

**Figure 2-49** Defeating interlocks



## Disable cartridge check

Use this diagnostic test to print internal pages or send an external job to the printer when the toner cartridge is removed or exchanged. Supply errors are ignored while the printer is in this mode. When the printer is in this mode, access the troubleshooting menus and print internal pages (the print quality pages will be the most useful). This test can be used to isolate problems, such as noise, and to isolate print-quality problems that are related to the toner cartridge.



**NOTE:** Do not remove or exchange the toner cartridge until after beginning the disable cartridge check diagnostic.

---

### Disable cartridge check from a touchscreen control panel

1. From the [Home](#) screen on the printer control panel, scroll to and touch the [Administration](#) button.
2. Open the following menus:
  - [Troubleshooting](#)
  - [Diagnostic Tests](#)
  - [Disable Cartridge Check](#)

### Disable cartridge check from a LCD control panel

1. From the [Home](#) screen on the printer control panel, use the down arrow ▼ button to scroll to [Administration](#), and then press the [OK](#) button.
2. Use the down arrow ▼ button to scroll to [Troubleshooting](#), and then press the [OK](#) button.
3. Use the down arrow ▼ button to scroll to [Diagnostics](#), and then press the [OK](#) button.
4. Use the down arrow ▼ button to scroll to [Disable Cartridge Check](#), and then press the [OK](#) button to select it.

## Tools for troubleshooting: Paper path and sensor diagnostic tests

Use these diagnostic tests to manually test the printer sensors, switches.



**NOTE:** The menu list of sensors and switches for the [Paper path sensors test](#), [Manual Sensor Test](#), and the [Tray/Bin Manual Sensor Test](#) varies depending on which optional accessories are installed.

The tables in this section describe the sensor tests available with an optional 1x500-sheet paper feeder, optional 1x1500-sheet high capacity input (HCI) feeder, and an optional 500-sheet stapler/stacker installed.

For trays other than Tray 1 or Tray 2, the tray number associated with a sensor or switch depends on the number and type of accessories installed.

### Paper path test

This diagnostic test generates one or more test pages. Use these pages to isolate the cause of jams.

To isolate a problem, specify which input tray to use, specify whether to use the duplex path (duplex models only), and specify the number of copies to print. Multiple copies can be printed to help isolate intermittent problems. The following options become available after beginning the diagnostic feature:

- **Print Test Page:** Run the paper-path test from the default settings: Tray 2, no duplex, and one copy. To specify other settings, scroll down the menu, and select the setting, and then scroll back up and select [Print Test Page](#) to start the test.
- **Source Tray:** Select Tray 1, Tray 2, or the optional tray.
- **Test Duplex Path:** Enable or disable two-sided printing.
- **Number of Copies:** Set the numbers of copies to be printed; the choices are 1, 10, 50, 100, or 500.

### Access the paper path test from a touchscreen control panel

1. From the [Home](#) screen on the printer control panel, scroll to and touch the [Administration](#) button.
2. Open the following menus:
  - [Troubleshooting](#)
  - [Diagnostic Tests](#)
  - [Paper Path Test](#)
3. Select the paper-path test options for the test.

### Access the paper path test from a LCD control panel

1. From the [Home](#) screen on the printer control panel, use the down arrow ▼ button to scroll to [Administration](#), and then press the [OK](#) button.
2. Use the down arrow ▼ button to scroll to [Troubleshooting](#), and then press the [OK](#) button.
3. Use the down arrow ▼ button to scroll to [Diagnostic Tests](#), and then press the [OK](#) button.
4. Use the down arrow ▼ button to scroll to [Paper Path Test](#), and then press the [OK](#) button.

## Paper path sensors test

This test displays the status of each paper-path sensor and allows viewing of sensor status while printing internal pages.

### Access the paper path sensors test from a touchscreen control panel

1. From the **Home** screen on the printer control panel, scroll to and touch the **Administration** button.
2. Open the following menus:
  - **Troubleshooting**
  - **Diagnostic Tests**
  - **Paper Path Sensors**

### Access the paper path sensors test from a LCD control panel

1. From the **Home** screen on the printer control panel, use the down arrow ▼ button to scroll to **Administration**, and then press the **OK** button.
2. Use the down arrow ▼ button to scroll to **Troubleshooting**, and then press the **OK** button.
3. Use the down arrow ▼ button to scroll to **Diagnostic Tests**, and then press the **OK** button.
4. Use the down arrow ▼ button to scroll to **Paper Path Sensors**, and then press the **OK** button.



**NOTE:** Exiting the Paper path sensors menu and then reentering the test will clear the test values from the previous test.

The menu list of sensors and motors for the Paper path sensors test varies depending on which optional accessories are installed.

The following table describes the sensor tests available with an optional 1x500-sheet paper feeder, optional 1x1500-sheet high capacity input (HCI) feeder, and an optional 500-sheet stapler/stacker installed.

For trays other than Tray 1 or Tray 2, the tray number associated with a sensor or switch depends on the number and type of accessories installed.

**Table 2-9 Paper-path sensors diagnostic tests**

Sensor name	Sensor/Switch number	Replacement part number	Descriptions
Tray 4 feed sensor <sup>1</sup>	PS1704	F2G68-67901	500-sheet paper feeder
Tray 3 feed sensor <sup>1</sup>	PS1603	F2G68-67901	500-sheet paper feeder
Prefeed sensor	PS102	NA	Not replaceable
Top-of-Page (TOP) sensor	PS103	NA	Not replaceable
Paper width 1 sensor	PS106	NA	Not replaceable
Paper width 2 sensor	PS108	NA	Not replaceable
Fuser output sensor	PS700	E6B67-67901 (110 V) E6B67-67902 (220 V)	Fuser

**Table 2-9 Paper-path sensors diagnostic tests (continued)**

<b>Sensor name</b>	<b>Sensor/Switch number</b>	<b>Replacement part number</b>	<b>Descriptions</b>
Duplexer refeed sensor	PS1502	F2G69-67901	Duplexer
Output bin full sensor	PS104	RM2-6319-000CN	Paper delivery assembly

<sup>1</sup> Only appears if optional accessories are installed.



## Manual sensor tests

The table in this section lists the sensors and switches available in the [Manual Sensor Test](#).

### Access the manual sensor test from a touchscreen control panel

The [Manual Sensor Test](#) screen shows the sensor number, sensor name (M605x and M606x only), sensor state (active or inactive), and the number of times the sensor has been toggled (activated).

1. From the [Home](#) screen on the printer control panel, scroll to and touch the [Administration](#) button.
2. Open the following menus:
  - [Troubleshooting](#)
  - [Diagnostic Tests](#)
  - [Manual Sensor Test](#)
3. Activate the desired sensor, and then check the control-panel display to verify the sensor state (active or inactive).



---

**NOTE:** Only the M605x and M606x control panel displays the [State](#) and [Toggle](#) descriptor.

---

- The [State](#) virtual LED next to the sensor number and sensor name (M605x and M606x only) illuminates green when the sensor is active.
- The [Toggle](#) virtual LED next to the sensor number and sensor name (M605x and M606x only) illuminates green after the sensor is activated and increments by one each time the sensor is interrupted (activated or deactivated).

For example, opening the front door increments the [SW101 Cartridge door Toggle](#) item count two times—once when the door is opened, and once when the door is closed.

4. Touch the [Reset Sensors](#) button to reset the [Toggle](#) count item.

**-or-**


Touch the [Cancel](#) button (M605x and M606x) or the [Return](#) arrow button to exit the [Manual Sensor Test](#) screen and return to the [Diagnostic Tests](#) menu.

### Access the manual sensor test from a LCD control panel

1. From the [Home](#) screen on the printer control panel, use the down arrow ▼ button to scroll to [Administration](#), and then press the [OK](#) button.
2. Use the down arrow ▼ button to scroll to [Troubleshooting](#), and then press the [OK](#) button.
3. Use the down arrow ▼ button to scroll to [Diagnostic Tests](#), and then press the [OK](#) button.
4. Use the down arrow ▼ button to scroll to [Manual Sensor Test](#), and then press the [OK](#) button.
5. Activate the desired sensor, and then check the control-panel display to verify the sensor state (active or inactive).



---


**TIP:** Press the return arrow ↵ button to reset the sensor or press the [Cancel](#)  button to exit the test.

---

 **NOTE:** Only the M605x and M606x control panel displays the **State** and **Toggle** descriptor.

- The **State** virtual LED next to the sensor number and sensor name (M605x and M606x only) illuminates green when the sensor is active.
- The **Toggle** virtual LED next to the sensor number and sensor name (M605x and M606x only) illuminates green after the sensor is activated and increments by one each time the sensor is interrupted (activated or deactivated).

For example, opening the cartridge door increments the **SW101 Front door opening/closing Toggle** item count two times—once when the door is opened, and once when the door is closed.

 **NOTE:** The following table describes the sensor tests available with an optional 1x500-sheet paper feeder, optional 1x1500-sheet high capacity input (HCI) feeder, and an optional 500-sheet stapler/stacker installed.

For trays other than Tray 1 or Tray 2, the tray number associated with a sensor or switch depends on the number and type of accessories installed.

**Table 2-10 Manual sensor diagnostic tests**

Sensor or switch	Replacement Part number	Description
SW101 Cartridge door sensor	WC2-5637-000CN	Switch
PS1704 Tray 4 feed sensor <sup>1</sup>	F2G68-67901	500-sheet paper feeder
PS1603 Tray 3 feed sensor <sup>1</sup>	F2G68-67901	500-sheet paper feeder
PS102 Prefeed sensor	Not applicable	Not replaceable
PS103 Top-of-Page (TOP) sensor	Not applicable	Not replaceable
PS106 paper width 1 sensor	Not applicable	Not replaceable
PS108 paper width 2 sensor	Not applicable	Not replaceable
PS700 Fuser output sensor	E6B67-67901 (110 V) E6B67-67902 (220 V)	Fuser
PS1502 Duplexer refeed sensor	F2G69-67901	Duplexer
PS104 Output bin full sensor	RM2-6319-000CN	Paper deliver assembly

<sup>1</sup> Only appears if optional accessories are installed.

## Tray/bin manual sensor test

The table in this section lists the sensors and switches available in the [Tray/Bin Manual Sensor Test](#).

### Access the tray/bin manual sensor test from a touchscreen control panel

The [Tray/Bin Manual Sensor Test](#) screen shows the sensor number, sensor name (M605x and M606x only), sensor state (active or inactive), and the number of times the sensor has been toggled (activated).

1. From the [Home](#) screen on the printer control panel, scroll to and touch the [Administration](#) button.
2. Open the following menus:
  - [Troubleshooting](#)
  - [Diagnostic Tests](#)
  - [Tray/Bin Manual Sensor Test](#)
3. Activate the desired sensor, and then check the control-panel display to verify the sensor state (active or inactive).



---

**NOTE:** Only the M605x and M606x control panel displays the [State](#) and [Toggle](#) descriptor.

---

- The [State](#) virtual LED next to the sensor number and sensor name (M605x and M606x only) illuminates green when the sensor is active.
- The [Toggle](#) virtual LED next to the sensor number and sensor name illuminates green after the sensor is activated and increments by one each time the sensor is interrupted (activated or deactivated).

For example, opening Tray 2 increments the [SW20 Tray 3 door Toggle](#) item count two times—once when the tray is opened, and once when the tray is closed.

4. Touch the [Reset Sensors](#) button (M605x and M606x only) to reset the [Toggle](#) count item.

**-or-**


Touch the [Cancel](#) (M605x and M606x) or the [Return](#) arrow button to exit the [Tray/Bin Manual Sensor Test](#) screen and return to the [Diagnostic Tests](#) menu.

### Access the tray/bin manual sensor test from a LCD control panel

1. From the [Home](#) screen on the printer control panel, use the down arrow ▼ button to scroll to [Administration](#), and then press the [OK](#) button.
2. Use the down arrow ▼ button to scroll to [Troubleshooting](#), and then press the [OK](#) button.
3. Use the down arrow ▼ button to scroll to [Diagnostic Tests](#), and then press the [OK](#) button.
4. Use the down arrow ▼ button to scroll to [Tray/Bin manual Sensor Test](#), and then press the [OK](#) button.
5. Activate the desired sensor, and then check the control-panel display to verify the sensor state (active or inactive).



---


**TIP:** Press the return arrow ↵ button to reset the sensor or press the [Cancel](#)  button to exit the test.

---

 **NOTE:** Only the M605x and M606x control panel displays the **State** and **Toggle** descriptor.

- The **State** virtual LED next to the sensor number and sensor name (M605x and M606x only) illuminates green when the sensor is active.
- The **Toggle** virtual LED next to the sensor number and sensor name (M605x and M606x only) illuminates green after the sensor is activated and increments by one each time the sensor is interrupted (activated or deactivated).

For example, opening Tray 2 increments the **PS101 Tray 2 paper Toggle** item count two times—once when the tray is opened, and once when the tray is closed.

 **NOTE:** The following table describes the sensor tests available with an optional 1x500-sheet paper feeder, optional 1x1500-sheet high capacity input (HCI) feeder, and an optional 500-sheet stapler/stacker installed.

For trays other than Tray 1 or Tray 2, the tray number associated with a sensor or switch depends on the number and type of accessories installed.

**Table 2-11 Tray/bin manual sensors**

Sensor or switch name	Replacement part number	Descriptions
PS105 Tray 1 paper sensor	RM2-6323-000CN	Tray 1 (multipurpose pick up) assembly
PS101 Tray 2 paper sensor	Not applicable	Not replaceable
PS107/PS109 Tray 2 media stack surface sensor 1	RM2-7687-000CN	Feeder sensor cable assembly
SW102 Tray 2 paper sensor	RM1-4525-000CN	Size detect assembly
PS1600 Tray 3 paper present sensor <sup>1</sup>	F2G68-67901	500-sheet paper feeder
PS1601 Tray 3 paper feeder media stack surface sensor 1 sensor <sup>1</sup>	F2G68-67901	500-sheet paper feeder
SW1600 Tray 3 paper feeder media size switch <sup>1</sup>	RM1-4525-000CN	Size detect assembly
PS1603 Tray 3 feed sensor <sup>1</sup>	F2G68-67901	500-sheet paper feeder
PS1700 Tray 4 paper present switch <sup>1</sup>	F2G68-67901	500-sheet paper feeder
PS1701 Tray 4 paper media stack surface sensor 1 sensor <sup>1</sup>	F2G68-67901	500-sheet paper feeder
SW1700 Tray 4 media size switch <sup>1</sup>	RM1-4525-000CN	Size detect assembly
PS1704 Tray 4 feed sensor <sup>1</sup>	F2G68-67901	500-sheet paper feeder
PS104 Output bin full sensor	RM2-6319-000CN	Paper delivery assembly

<sup>1</sup> Only appears if optional accessories are installed.

## Tools for troubleshooting: Print/stop test

Use this diagnostic test to isolate the cause of problems such as image-formation defects and jams within the engine. During this test, stop the paper anywhere along the printer paper path. The test can be programmed to stop printing internal pages or an external print job when the paper reaches a certain position. The test can also be programmed to stop from 0 to 60,000 ms. If the timer is set to a value that is greater than the job-print time, the printer can recover in one of two ways.

- After the print job is completed press **OK** button to return to the **Troubleshooting** menu before the timer times out.
- After the timer times out, touch the **Stop** button. Activate the door switch to restart the engine and return it to a normal state.

### Access the print/stop test from a touchscreen control panel

1. From the **Home** screen on the printer control panel, scroll to and touch the **Administration** button.
2. Open the following menus:
  - **Troubleshooting**
  - **Diagnostic Tests**
  - **Print/Stop Test**
3. Enter a range, and then touch the **OK** button.

### Access the print/stop test from a LCD control panel

1. From the **Home** screen on the printer control panel, use the down arrow ▼ button to scroll to **Administration**, and then press the **OK** button.
2. Use the down arrow ▼ button to scroll to **Troubleshooting**, and then press the **OK** button.
3. Use the down arrow ▼ button to scroll to **Diagnostic Test**, and then press the **OK** button.
4. Use the down arrow ▼ button to scroll to **Print/Stop Test**, and then press the **OK** button.

### Common print stop test timing millisecond (ms) stops


- **600 ms:** The page has passed the registration area and the leading edge is just short of entering the fuser. The image can be seen on the paper but has not fused. If the defect is visible then the cause might be the drum, transfer roller, or a roller prior to, or in, the registration area.
- **1200 ms:** The leading edge is about 18mm (0.71 in) into the top output bin. The image has gone through the fuser. If the defect was not visible prior to the fuser, and is visible after the fuser, then the fuser is the likely cause of the print quality defect. Inspect the fuser for damage, debris, or labels stuck to the fuser. Replace the fuser. Discuss media specifications and proper care of the fuser with the customer.

## Tools for troubleshooting: Component tests

Use the procedure below to test various printer mechanical and electromechanical assemblies.

### Individual component diagnostics (special-mode test)

---

 **NOTE:** The following table describes the sensor tests available with an optional 1x500-sheet paper feeder, optional 1x1500-sheet high capacity input (HCI) feeder, and an optional 500-sheet stapler/stacker installed.


For trays other than Tray 1 or Tray 2, the tray number associated with a sensor or switch depends on the number and type of accessories installed.

---

This test activates individual parts independently to isolate problems.

Each component test can be performed once or repeatedly. If the **Repeat** option is enabled from the drop-down menu, the test cycles the component on and off. This process continues for two minutes, and then the test terminates.

---

 **NOTE:** The front or side door interlocks must be defeated to run the component tests. Some tests might require that the ITB and toner cartridges be removed. A control-panel display prompt appears indicate removing some, or all of the cartridges, during certain tests.

---


### Access the individual component diagnostics from a touchscreen control panel

1. From the **Home** screen on the printer control panel, scroll to and touch the **Administration** button.
2. Open the following menus:
  - **Troubleshooting**
  - **Diagnostic Tests**
  - **Component Test**
3. Select the component test options for the test.

### Access the individual component diagnostics from a LCD control panel

1. From the **Home** screen on the printer control panel, use the down arrow ▼ button to scroll to **Administration**, and then press the **OK** button.
2. Use the down arrow ▼ button to scroll to **Troubleshooting**, and then press the **OK** button.
3. Use the down arrow ▼ button to scroll to **Diagnostic Test**, and then press the **OK** button.
4. Use the down arrow ▼ button to scroll to **Component Test**, and then press the **OK** button.

---

 **NOTE:** The following table describes the sensor tests available with an optional 1x500-sheet paper feeder, optional 1x1500-sheet high capacity input (HCI) feeder, and an optional 500-sheet stapler/stacker installed.

For trays other than Tray 1 or Tray 2, the tray number associated with a sensor or switch depends on the number and type of accessories installed.

---

**Table 2-12 Component test details**

Component test	Item tested	Replacement part number	Comments
Drum motor	M102	RM1-8358-000CN Drum motor assembly	Activates the specified motor.
Fuser motor	M299	RM1-8928-000CN Fuser motor assembly	Activates the specified motor.
Pickup motor	M101	RM1-8285-000CN Paper feed motor assembly	Activates the specified motor.
Switchback motor	1501	RK2-2139-000CN DC motor	Activates the specified motor.
Duplex refeed motor	1501	RK2-2139-000CN DC motor	Activates the specified motor.
Tray 1 pickup solenoid	SL102	RM2-6323-000CN Tray 1 (multipurpose) pick up assembly	Activates the specified solenoid.
Tray 2 pickup solenoid	SL101	RL2-1409-000CN Solenoid	Activates the specified solenoid.
Tray 3 pickup solenoid <sup>1</sup>	SL1600	RL2-1410-000CN Solenoid	Activates the specified solenoid.
Tray 4 pickup solenoid <sup>1</sup>	SL1700	RL2-1410-000CN Solenoid	Activates the specified solenoid.
Feed roller clutch	CL101	RM1-8415-000CN Paper pickup drive assembly	Activates the specified clutch.
Laser scanner motor	Not applicable	RM1-8406-000CN Laser/scanner	Activates the specified motor.
Repeat	Not applicable	Not applicable	Choose <b>Off</b> to execute the test once. Choose <b>On</b> to execute the test continuously.

<sup>1</sup> Only appears if optional accessories are installed.

## Diagrams

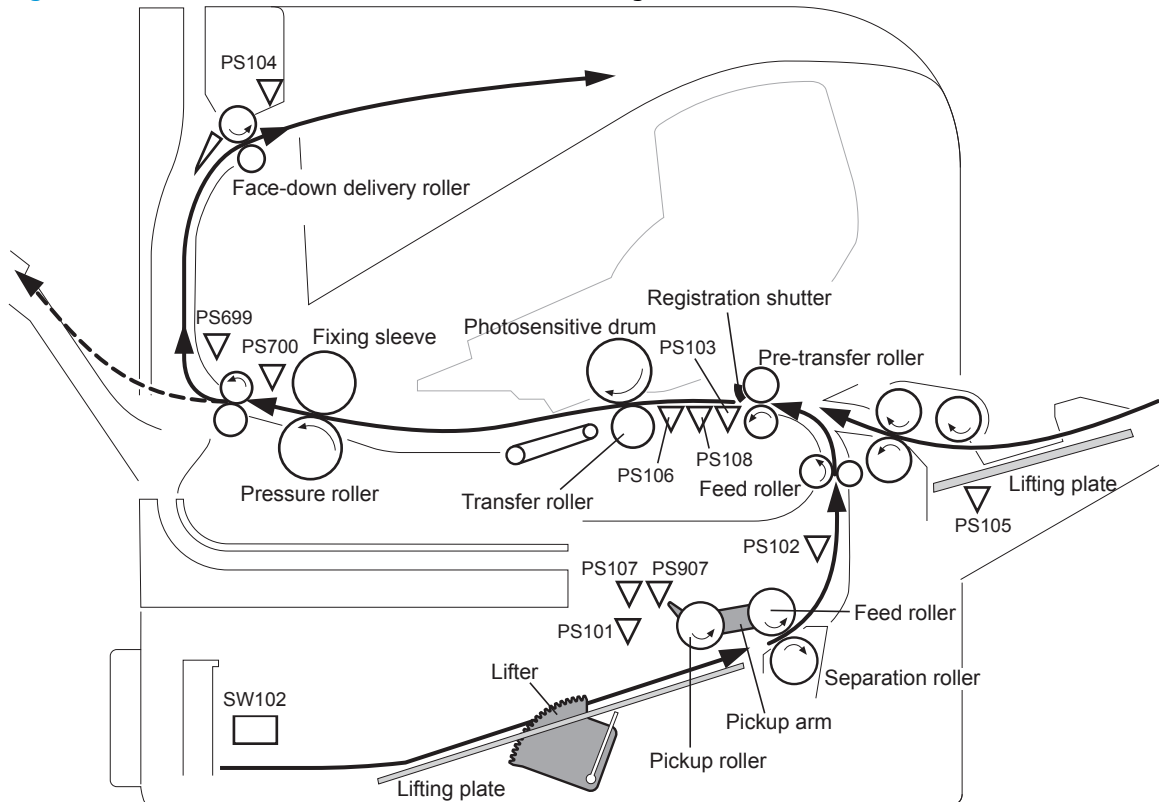
Use the diagrams in this section to identify printer components.

### Diagrams: Block diagrams

Use the diagrams in this section to identify printer sensors, switches, and assemblies.

#### Sensors and switches

**Figure 2-50** Printer base, sensors and switches block diagram

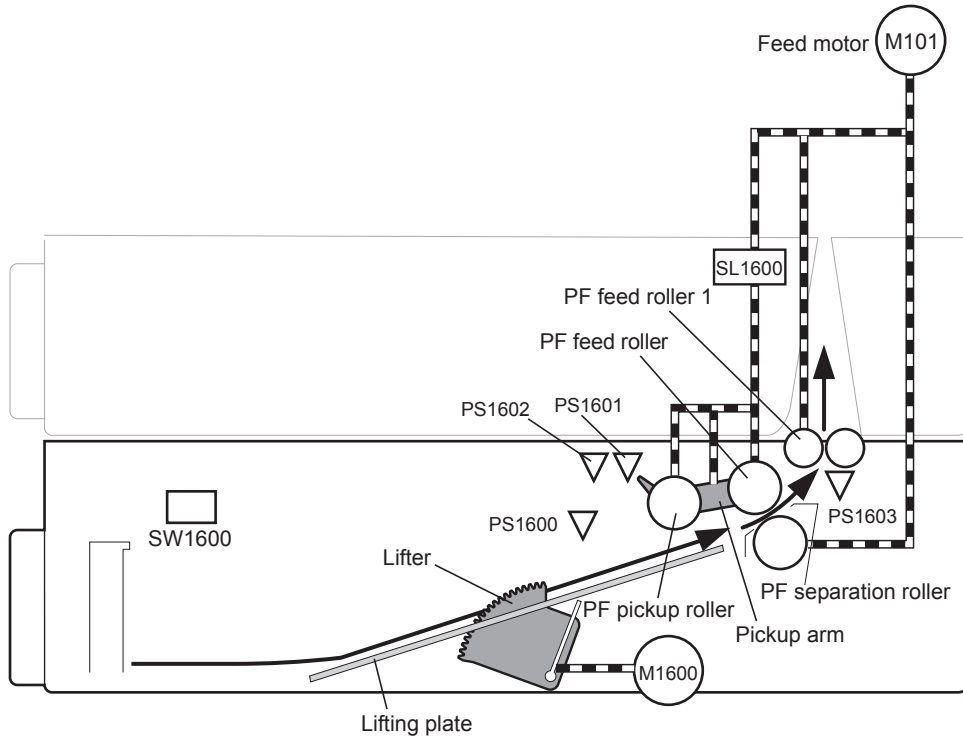


**Table 2-13** Product base, sensors and switches block diagram

Sensor	Description	Sensor	Description
PS101	Tray (cassette) media presence sensor	PS108	Media width sensor 2
PS102	Pre-feed sensor	PS699	Fuser pressure release sensor
PS103	Top-of-page (TOP) sensor	PS700	Fuser delivery sensor
PS104	Face-down tray media full sensor	PS907	Media stack surface sensor 2
PS105	Tray 1 (multipurpose tray) media presence sensor	TH3	Environmental sensor
PS106	Media width sensor 1	SW102	Media size detection switch (Tray 2)
PS107	Media stack surface sensor 1		



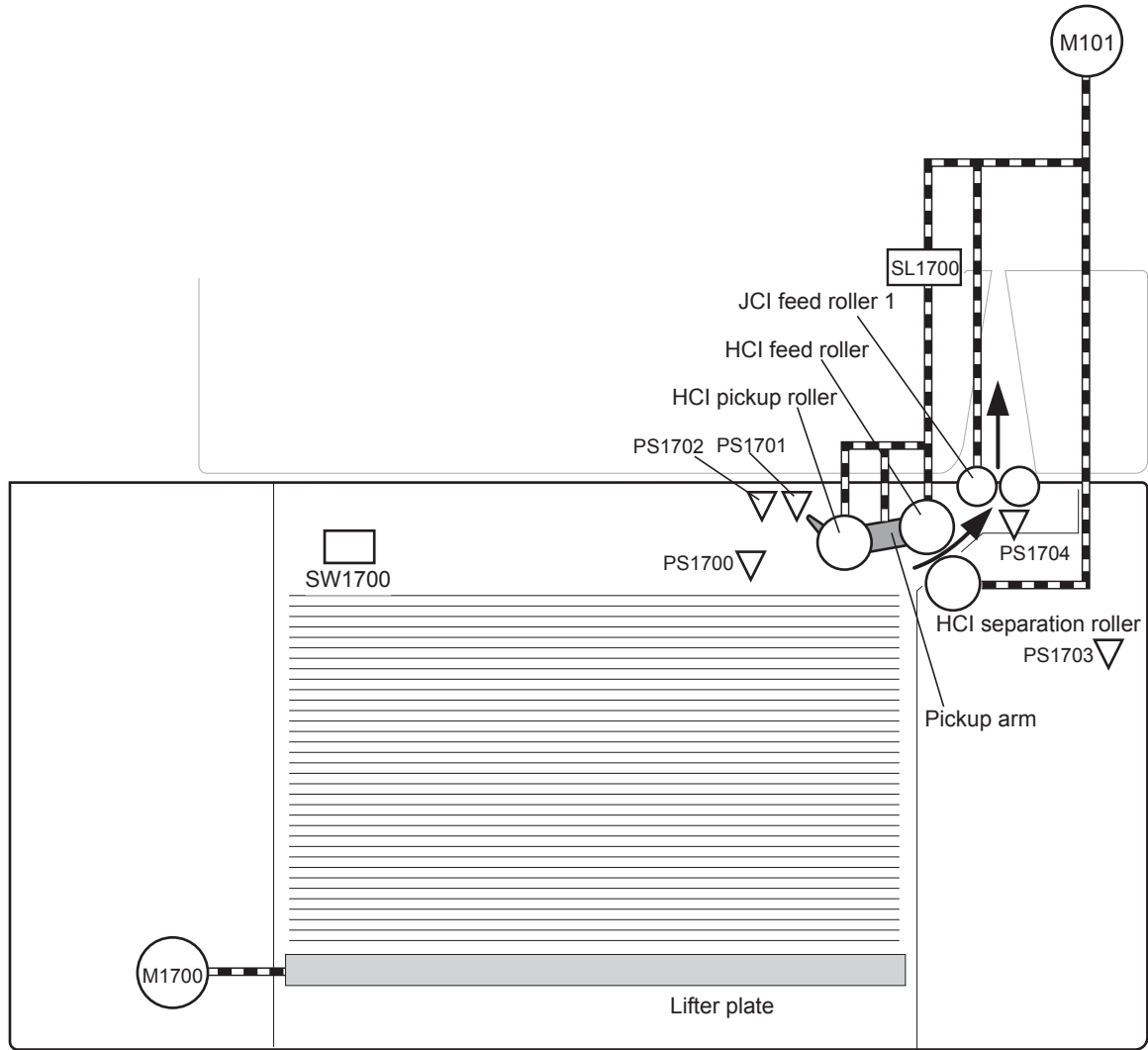
**Figure 2-51** 1x500-sheet paper feeder, sensors and switches block diagram



**Table 2-14** 1x500-sheet paper feeder, sensors and switches block diagram

Sensor	Description
PS1600	Paper feeder media presence sensor
PS1601	Paper feeder media stack surface sensor 1
PS1602	Paper feeder media stack surface sensor 2
PS1603	Paper feeder media path sensor
SW1700	Paper feeder media size switch

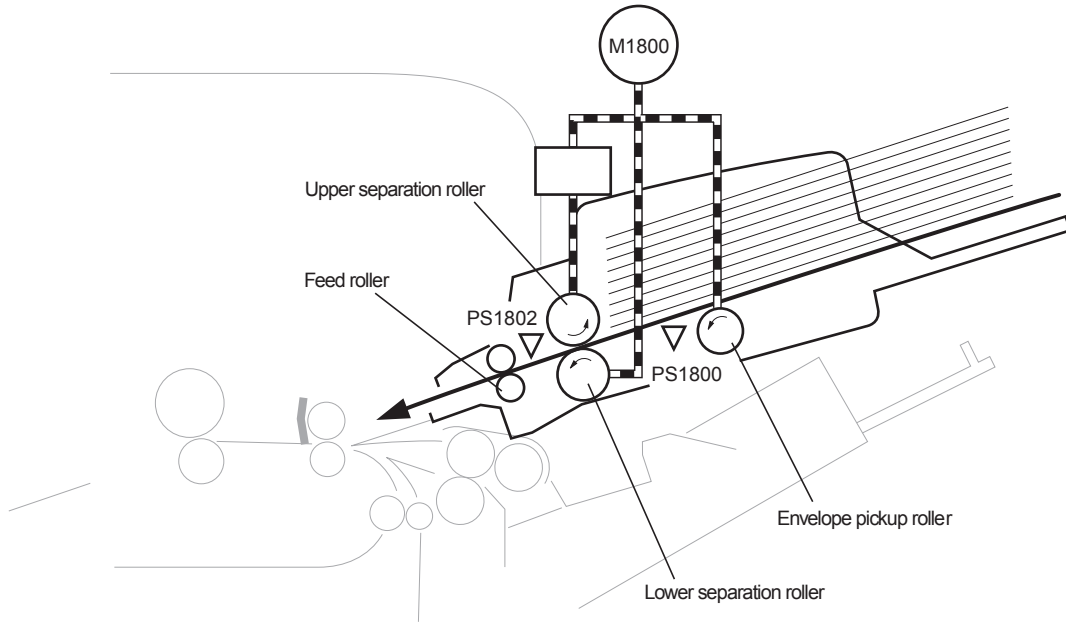
**Figure 2-52** 1,500-sheet high capacity input feeder, sensors and switches block diagram



**Table 2-15** 1,500-sheet high capacity input feeder, sensors and switches block diagram

Sensor	Description
PS1700	HCI media presence sensor
PS1701	HCI media stack surface sensor 1
PS1702	HCI media stack surface sensor 2
PS1703	HCI door open detection sensor
PS1704	HCI media path sensor
SW1600	HCI media size switch

**Figure 2-53** Envelope feeder, sensors and switches block diagram



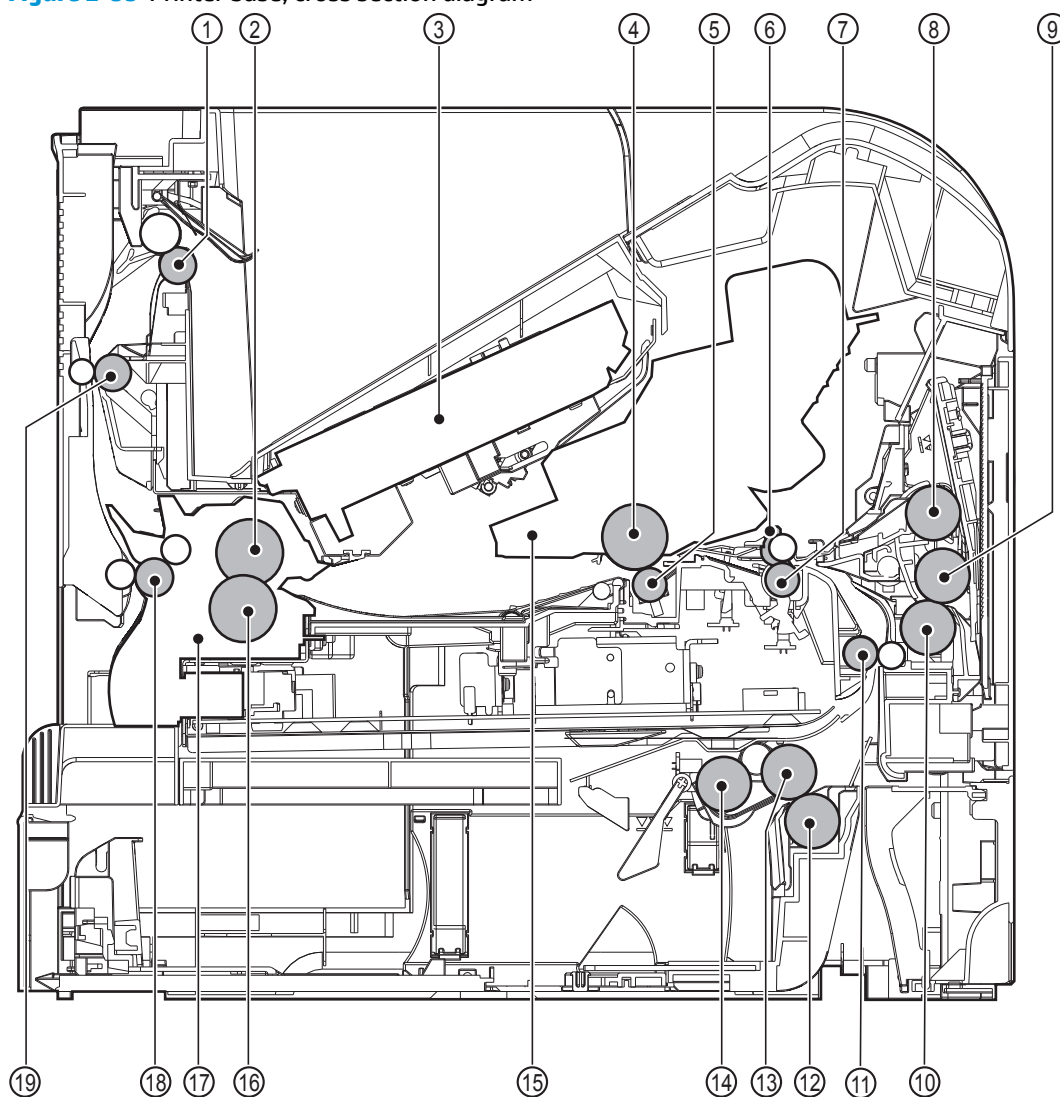
**Table 2-16** Envelope feeder, sensors and switches block diagram

Sensor	Description
PS1800	Envelope feeder media presence sensor
PS1802	Envelope feeder multi-feed sensor



## Cross section diagrams

**Figure 2-55** Printer base, cross section diagram



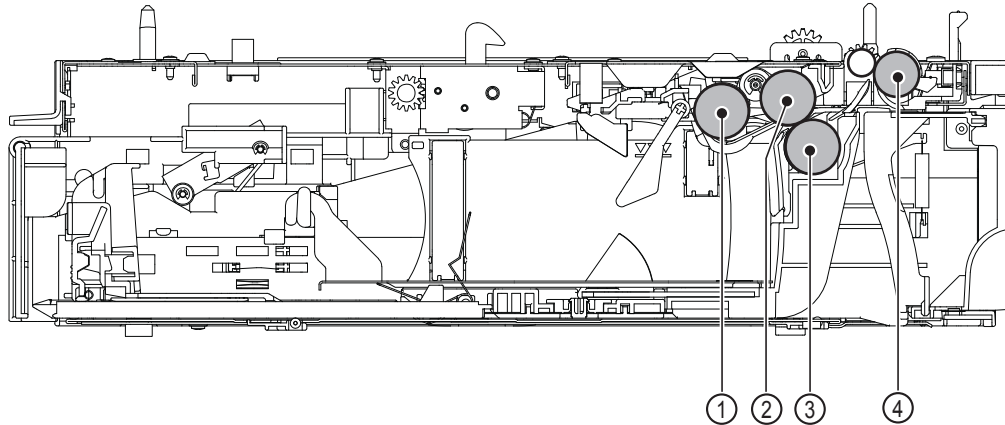
**Table 2-18** Product base, cross section diagram

Item	Description	Item	Description
1	Face-down delivery roller	11	Feed roller
2	Fuser sleeve assembly	12	Tray 2 separation roller
3	Laser/scanner assembly	13	Tray 2 feed roller
4	Photosensitive drum	14	Tray 2 pickup roller
5	Transfer roller	15	Toner cartridge
6	Registration shutter	16	Pressure roller
7	Pre-transfer roller	17	Fuser
8	Tray 1 pickup roller	18	Fuser delivery roller

**Table 2-18 Product base, cross section diagram (continued)**

Item	Description	Item	Description
9	Tray 1 feed roller	19	Intermediate delivery roller
10	Tray 1 separation roller		

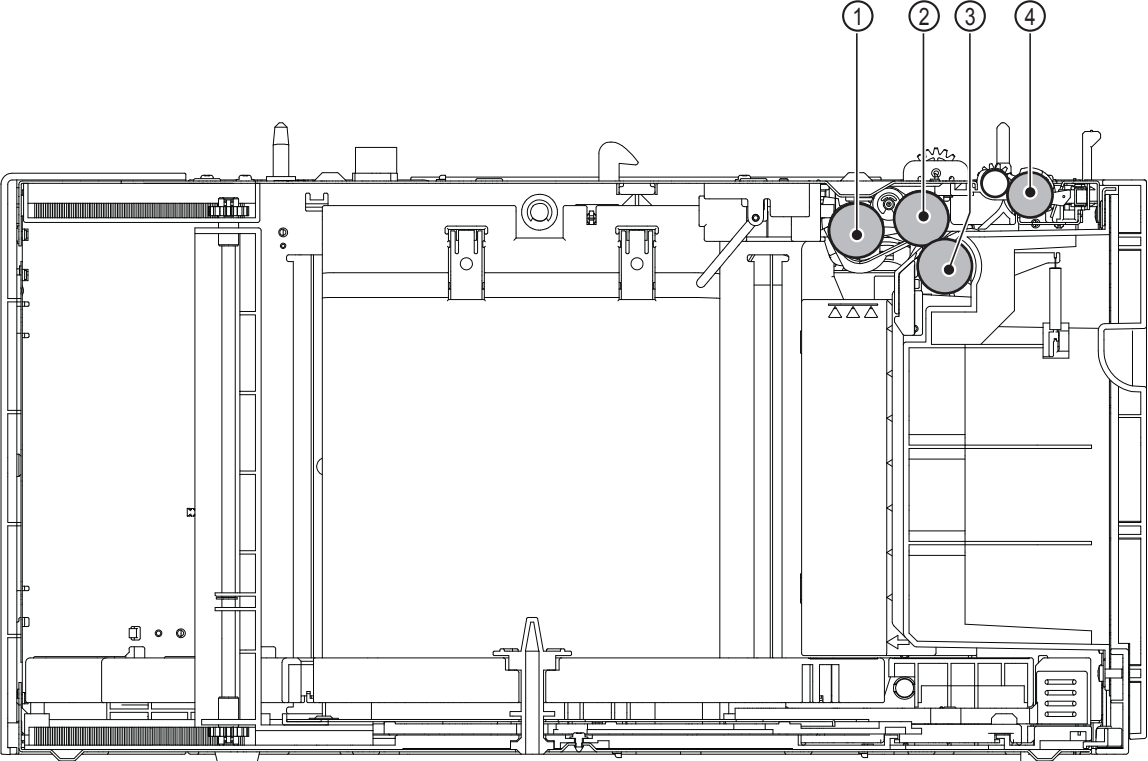
**Figure 2-56 1x500-sheet paper feeder, cross section diagram**



**Table 2-19 1x500-sheet paper feeder, cross section diagram**

Item	Description
1	Pickup roller
2	Feed roller
3	Separation roller
4	Feed roller

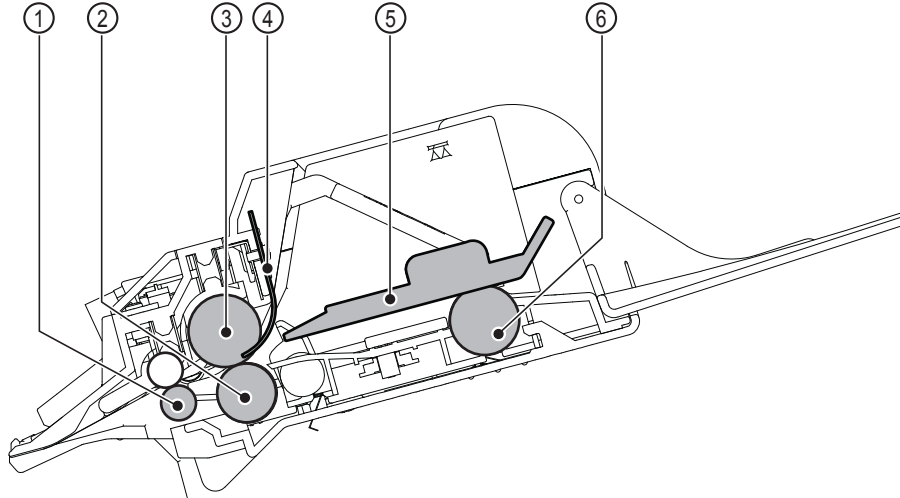
**Figure 2-57** 1,500-sheet high capacity input (HCI) feeder, cross section diagram



**Table 2-20** 1,500-sheet high capacity input (HCI) feeder, cross section diagram

Item	Description
1	Pickup roller
2	Feed roller
3	Separation roller
4	Feed roller

**Figure 2-58** Envelope feeder, cross section diagram

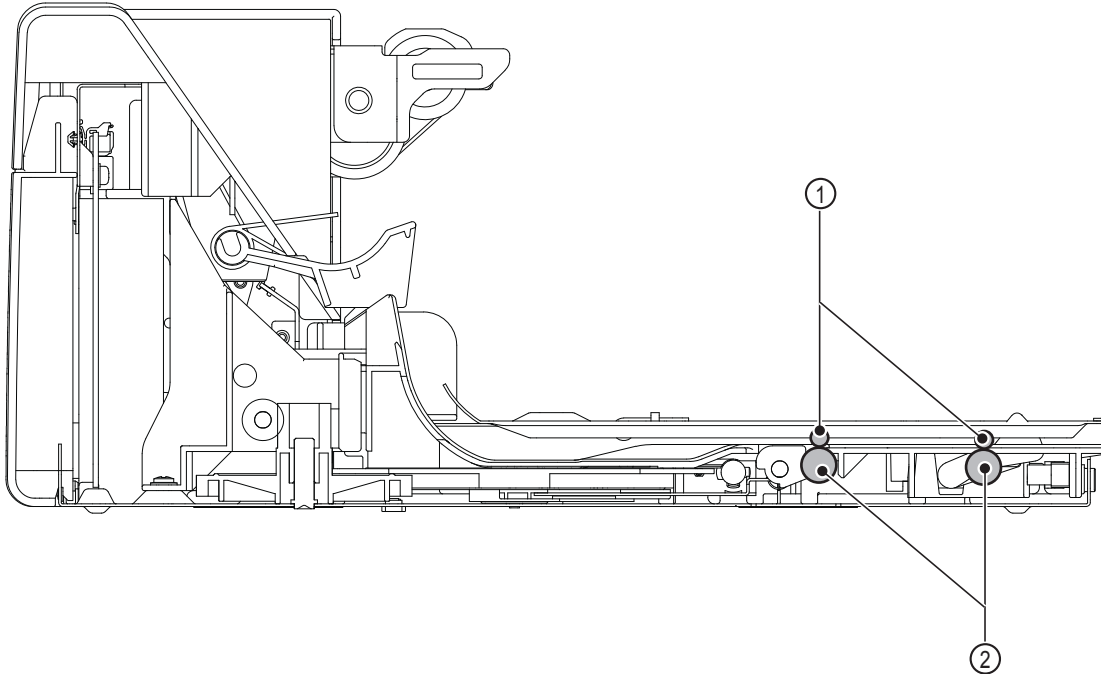


**Table 2-21** Envelope feeder, cross section diagram

Item	Description
1	Feed roller
2	Lower separation roller
3	Upper separation roller
4	Separation guide
5	Weight
6	Pickup roller



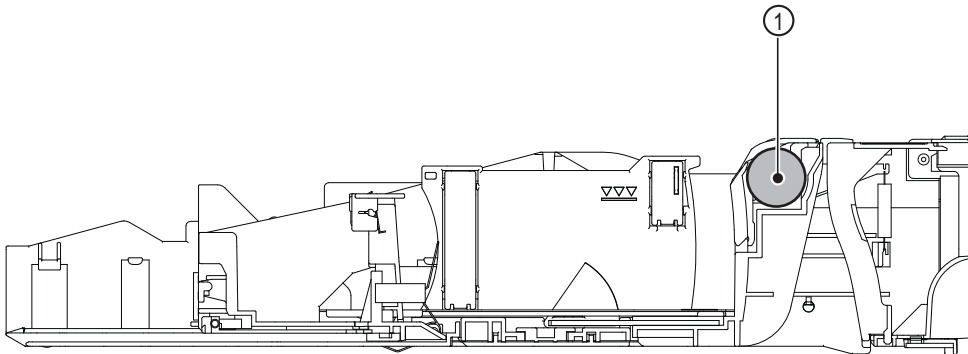
**Figure 2-59 Duplexer, cross section diagram**



**Table 2-22 Duplexer, cross section diagram**

Item	Description
1	Oblique rollers
2	Re-pickup rollers

**Figure 2-60 Tray, cross section diagram**



**Table 2-23 Tray, cross section diagram**

Item	Description
1	Separation roller

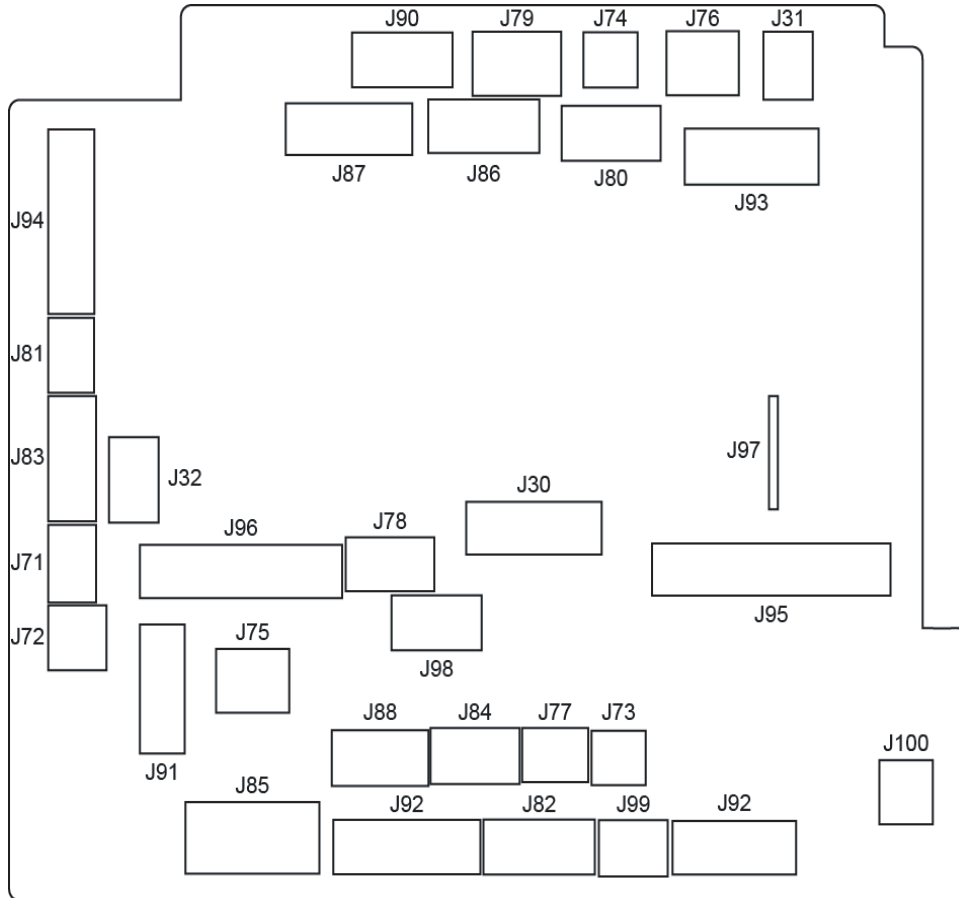
## Diagrams: Printed circuit assembly (PCA) connector locations

Use the diagrams in this section to identify printer PCA connector locations.

### DC controller connections

Each of the connections on the DC controller PCA is indicated in the following figure.

**Figure 2-61** DC controller PCA connectors



**Table 2-24** DC controller connectors

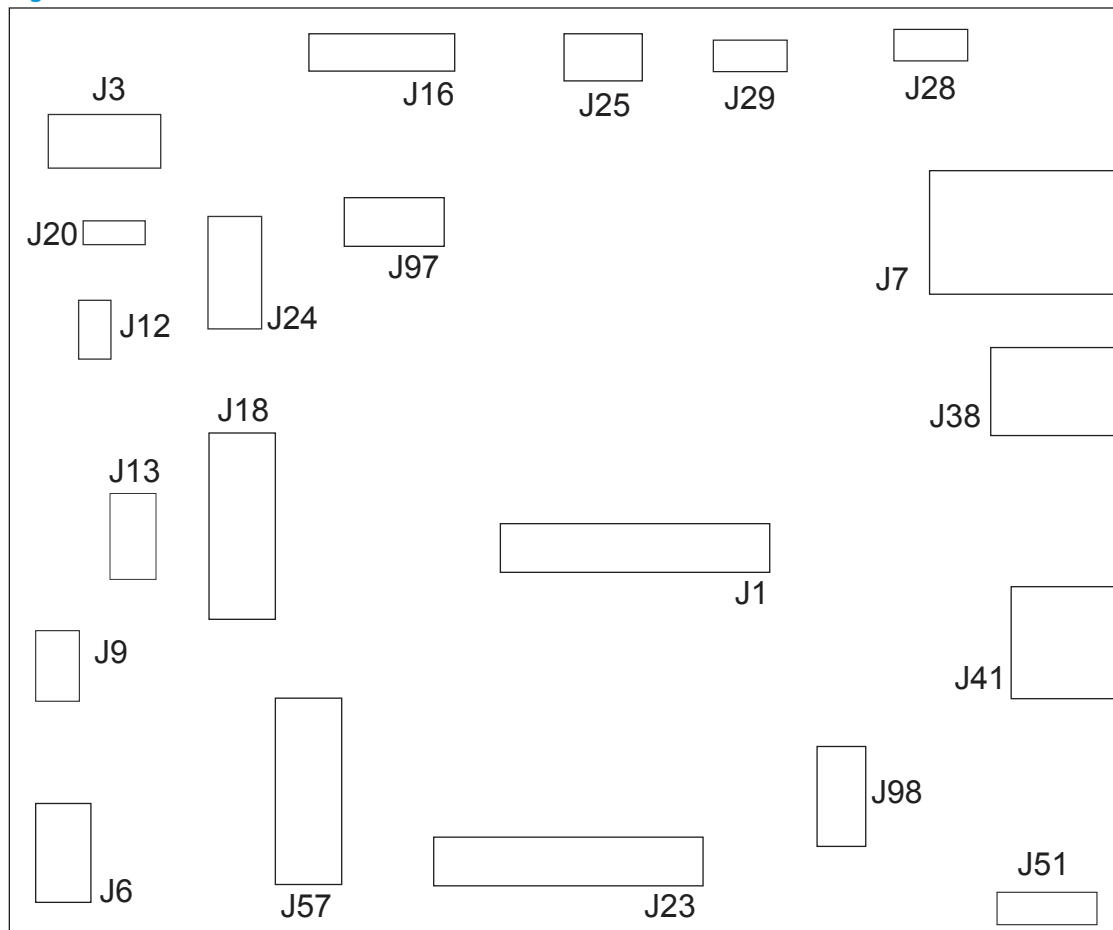
Item	Description	Item	Description
J30	Power supply PCA	J85	Power supply PCA
J31	Toner cartridge door open detection switch (SW101)	J86	Scanner motor
J32	Power switch	J87	Drum motor (M102)
J71	Tray 1 (MP) pickup solenoid (SL102)	J88	Paper deck accessory
J72	Tray 2 pickup solenoid (SL101)	J89	Fuser motor (M299)
J73	Tray 2 lifter motor (M103)	J90	Stacker/stacker-stapler/mailbox
J74	Toner cartridge memory	J91	Paper feed motor (M101)

**Table 2-24 DC controller connectors (continued)**

<b>Item</b>	<b>Description</b>	<b>Item</b>	<b>Description</b>
J75	Fan 102	J92	Tray 2 media present sensor (PS101) Tray 2 media stack sensor 1 (PS107) Tray 2 media stack sensor 2 (PS907)
J76	Delivery bin detection switch	J93	Laser/scanner
J77	Media feed clutch	J94	Pre-feed sensor (PS102) Top-of-page sensor (PS103) Media width sensor 2 (PS108) Media width sensor 1 (PS106)
J78	Interlock switch	J95	Power supply PCA
J79	Fan 104	J96	Power supply PCA
J80	Empty	J97	Formatter PCA
J81	Tray 1 (MP) media out sensor	J98	Power supply PCA
J82	Fuser pressure release sensor Fuser output sensor Main thermistor Sub thermistor	J99	Tray 2 media size switches (SW102)
J83	Envelope feeder accessory	J100	Empty
J84	Duplexer accessory		

## Formatter PCA

**Figure 2-62** Formatter PCA

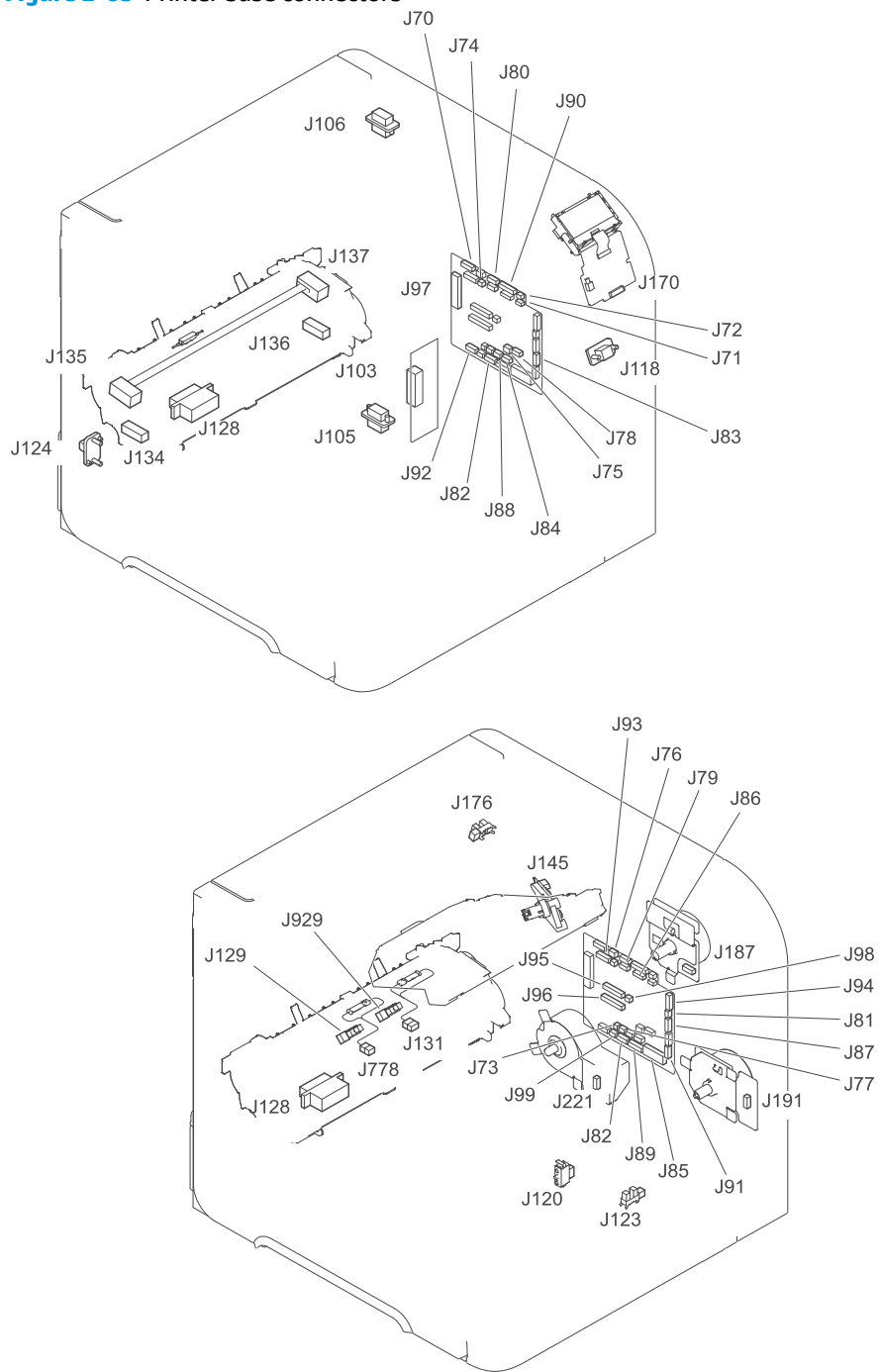


**Table 2-25** Formatter PCA

Item	Description	Item	Description
J1	Slim DIMM	J23	Not used
J3	Control panel (touchscreen models; HDMI cable)	J24	Not used
J6	Formatter power cable	J25	Wireless cable
J7	Network LAN	J28	CAN (output accessories)
J9	AA module power cable	J29	IOD
J12	HIP/AA USB	J38	USB-device
J13	DC controller (flat cable)	J41	USB-host
J16	Control panel power cable	J57	BASH
J18	Hard-disk drive (optional HDD)	J97	Embedded MultiMedia Card (eMMC)
J20	Walkup USB	J98	Trusted platform module (optional TPM)

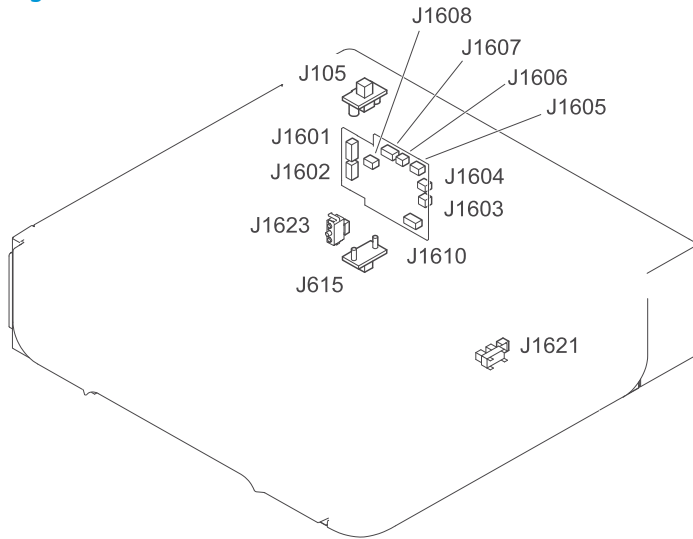
## Printer base connectors

Figure 2-63 Printer base connectors



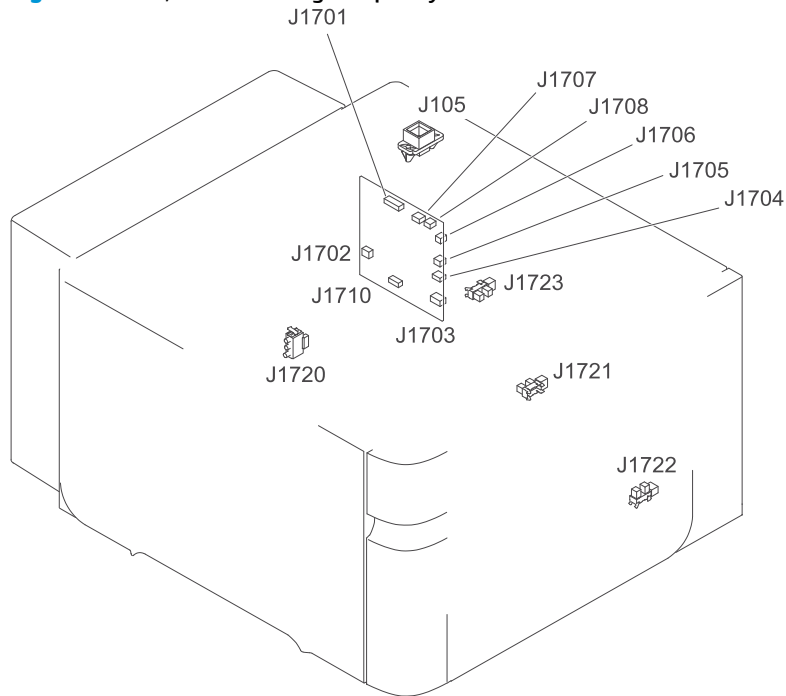
## 1x500-sheet feeder connectors

**Figure 2-64** 1x500-sheet feeder connectors



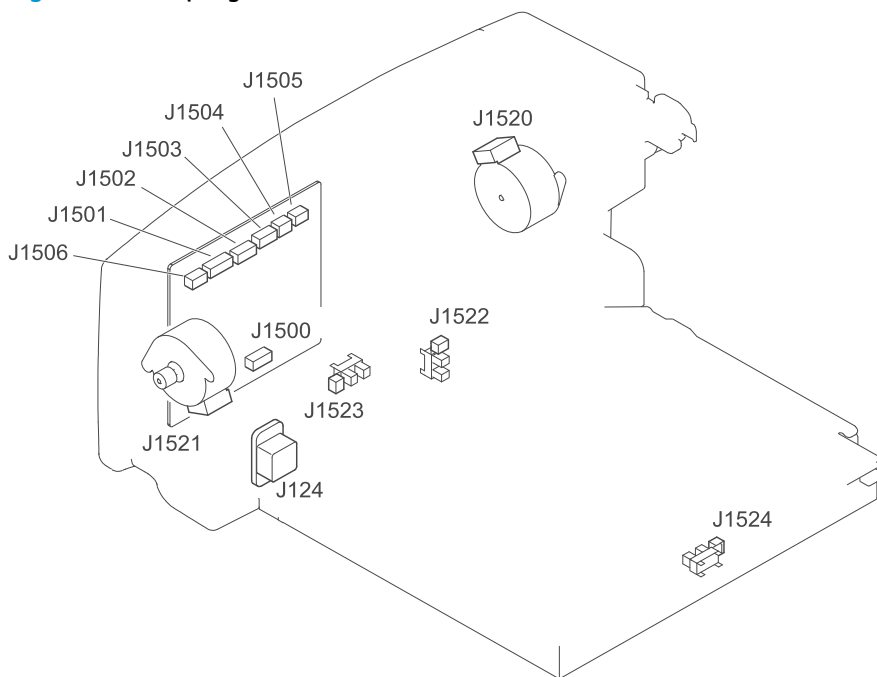
## 1,500-sheet high-capacity feeder connectors

**Figure 2-65** 1,500-sheet high-capacity feeder connectors



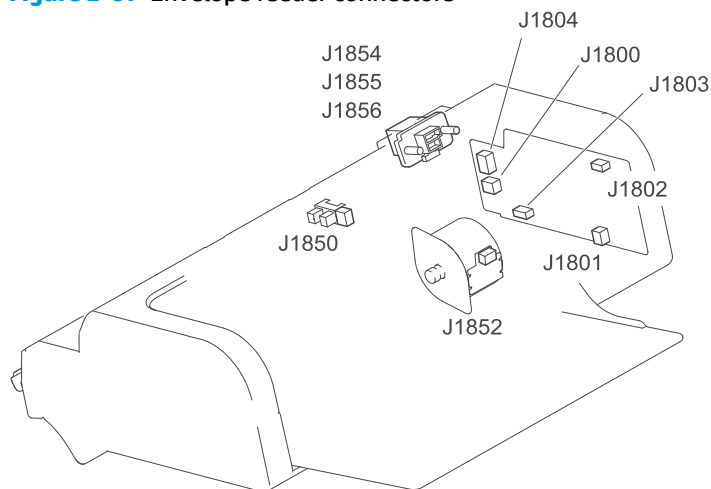
## Duplexer connectors

**Figure 2-66** Stapling mailbox connectors




## Envelope feeder connectors

**Figure 2-67** Envelope feeder connectors

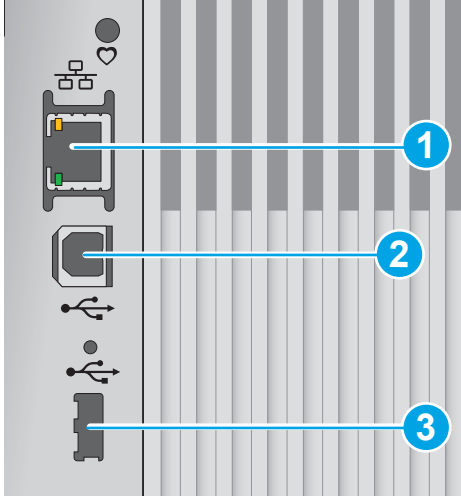


## Diagrams: External plug and port locations

Use the following figure to locate and identify the printer external port locations.

 **NOTE:** The power cord plug is below the formatter, on the left-hand side of the printer.

**Figure 2-68** External plug and port locations



**Table 2-26** External plug and port locations

Item	Description
1	Local area network (LAN) Ethernet (RJ-45) network port
2	Hi-Speed USB 2.0 printing port
3	USB port for connecting external USB devices (this port might be covered)

**NOTE:** For easy-access USB printing, use the USB port near the control panel.



## Diagrams: Locations of major assemblies

Use the figure in this section to identify and locate major components and assemblies in the printer.

### Main assemblies (printer base)

Figure 2-69 Main assemblies (1 of 2; printer base)

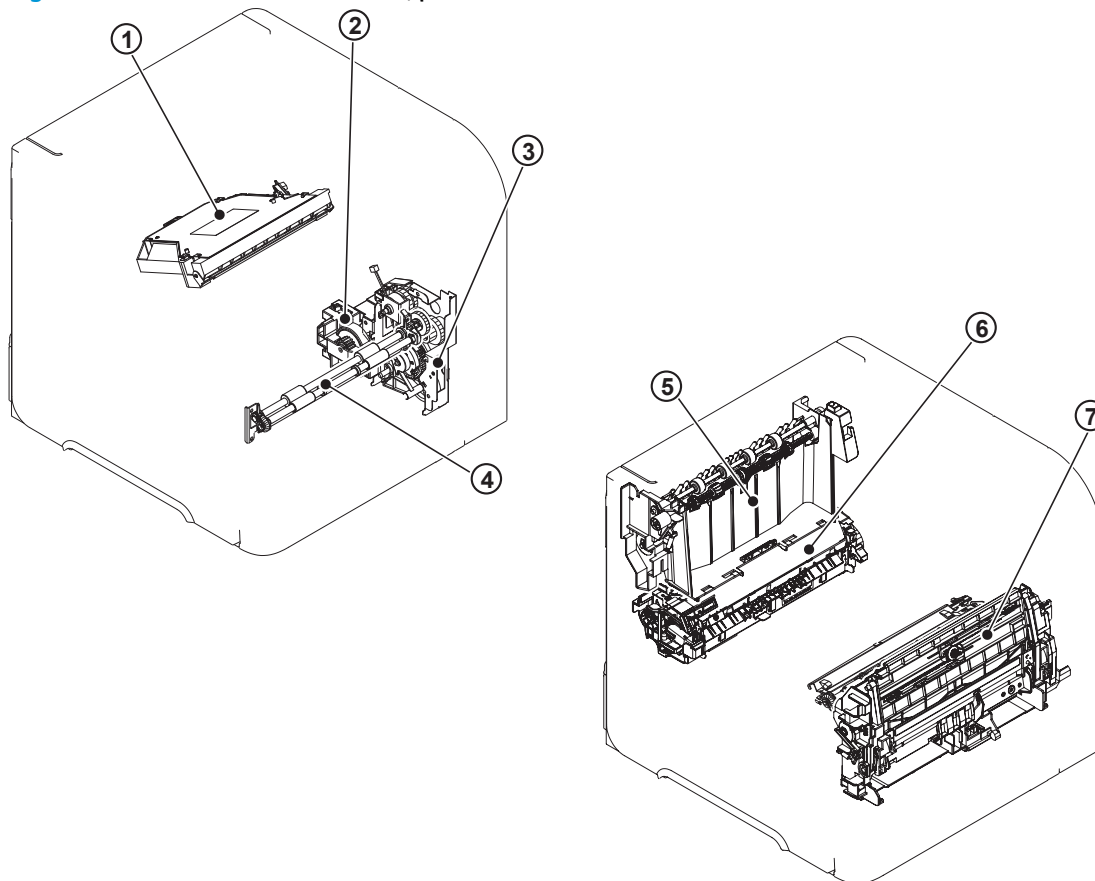
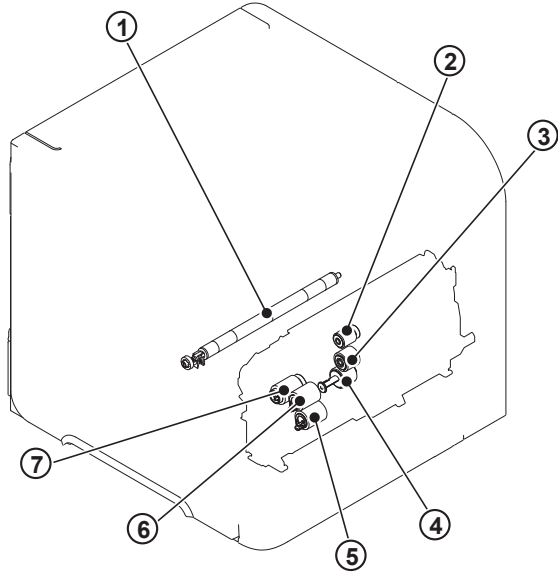


Table 2-27 Main assemblies (1 of 2; printer base)

Item	Description
1	Laser/scanner assembly
2	Lifter drive unit
3	Tray 2 pickup drive unit
4	Feed roller assembly
5	Delivery assembly
6	Fuser
7	Tray 1 (multipurpose tray) pickup assembly

**Figure 2-70** Main assemblies (2 of 2; printer base)



**Table 2-28** Main assemblies (2 of 2; printer base)

Item	Description
1	Transfer roller
2	Tray 1 (multipurpose tray) pickup roller
3	Tray 1 (multipurpose tray) feed roller
4	Tray 1 (multipurpose tray) separation roller
5	Input tray separation roller (resides in input tray)
6	Input tray feed roller
7	Input tray pickup roller

## Motors and fans (printer base)

Figure 2-71 Motors and fans (printer base)

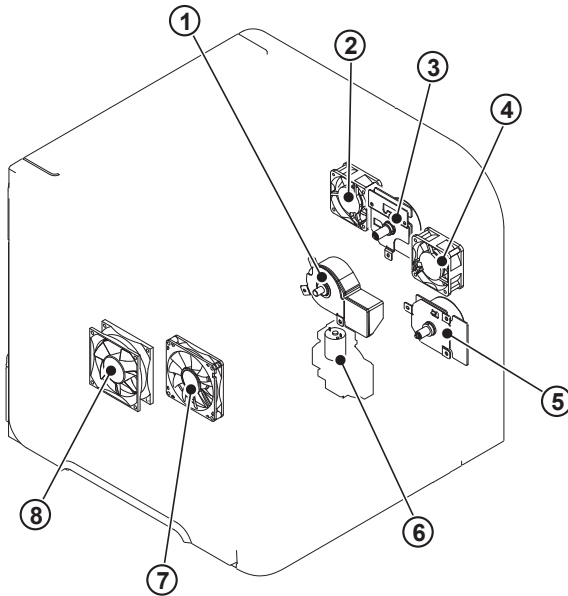


Table 2-29 Motors and fans (printer base)

Item	Description
1	Fuser motor (M299)
2	Fan (FN104)
3	Drum motor (M102)
4	Fan (FN102)
5	Feed motor (M101)
6	Lifter motor (M103)
7	Fan (FN103)
8	Fan (FN101)

## Printed circuit assemblies (PCAs; printer base)

Figure 2-72 PCAs (printer base)

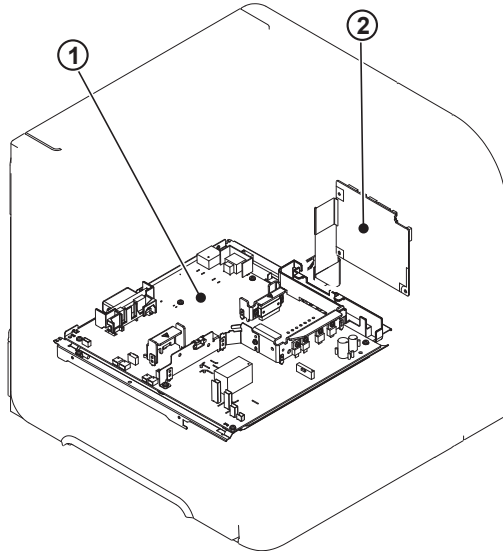
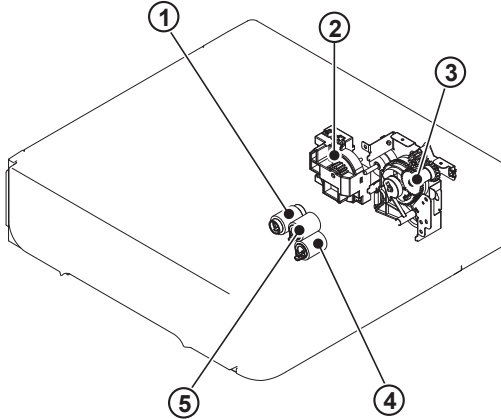


Table 2-30 PCAs (printer base)

Item	Description
1	Power supply PCA
2	DC controller PCA

## 1x500-sheet paper feeder

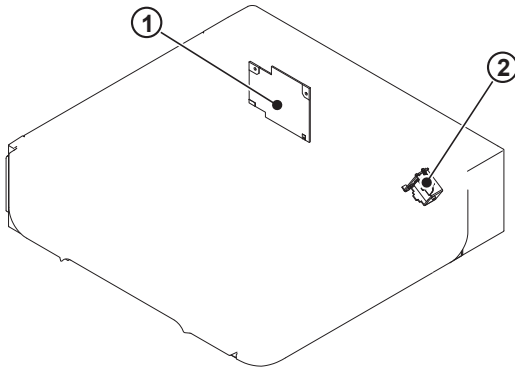
**Figure 2-73** Main assemblies (1x500-sheet paper feeder)



**Table 2-31** Main assemblies (1x500-sheet paper feeder)

Item	Description
1	Paper feeder pickup roller
2	Paper feeder lifter driver assembly
3	Paper feeder pickup drive assembly
4	Paper feeder separation roller
5	Paper feed roller

**Figure 2-74** Printed circuit assembly and solenoid (1x500-sheet paper feeder)

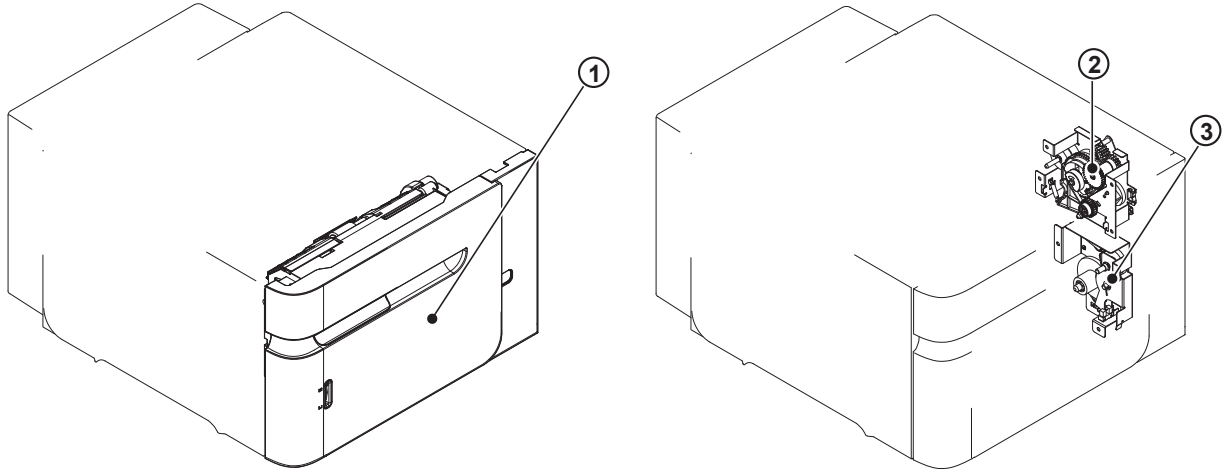


**Table 2-32** Printed circuit assembly and solenoid (1x500-sheet paper feeder)

Item	Description
1	Driver PCA
2	Pickup solenoid

## 1x1500-sheet paper feeder

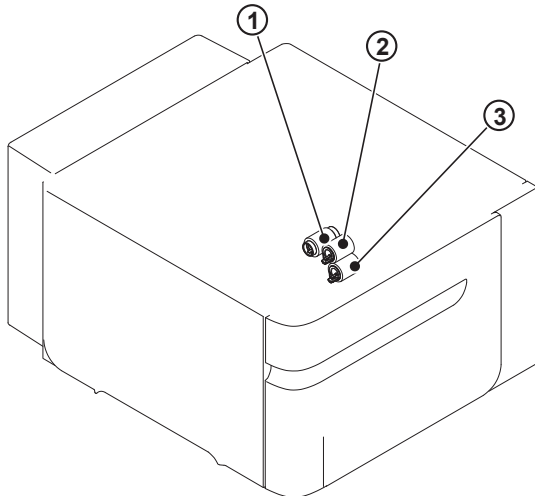
**Figure 2-75** Main assemblies (1x1500-sheet paper feeder)



**Table 2-33** Main assemblies (1x1500-sheet paper feeder)

Item	Description
1	Front door assembly
2	Pickup drive assembly
3	Lifter drive assembly

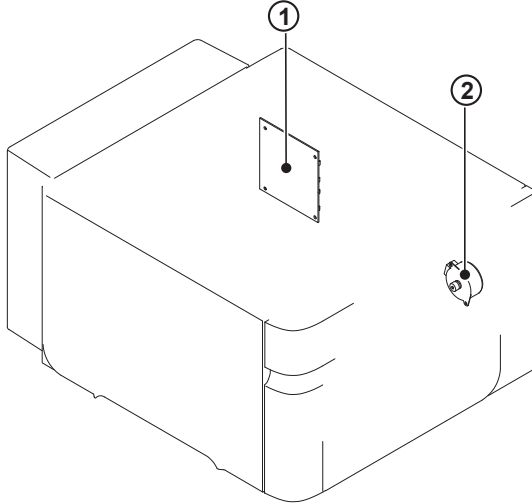
**Figure 2-76** Printed circuit assembly (PCA) and motor (1x1500-sheet paper feeder)



**Table 2-34** Printed circuit assembly (PCA) and motor (1x1500-sheet paper feeder)

Item	Description
1	Pickup roller
2	Feed roller
3	Separation roller

**Figure 2-77** Printed circuit assembly (PCA) and motor (1x1500-sheet paper feeder)



**Table 2-35** Printed circuit assembly (PCA) and motor (1x1500-sheet paper feeder)

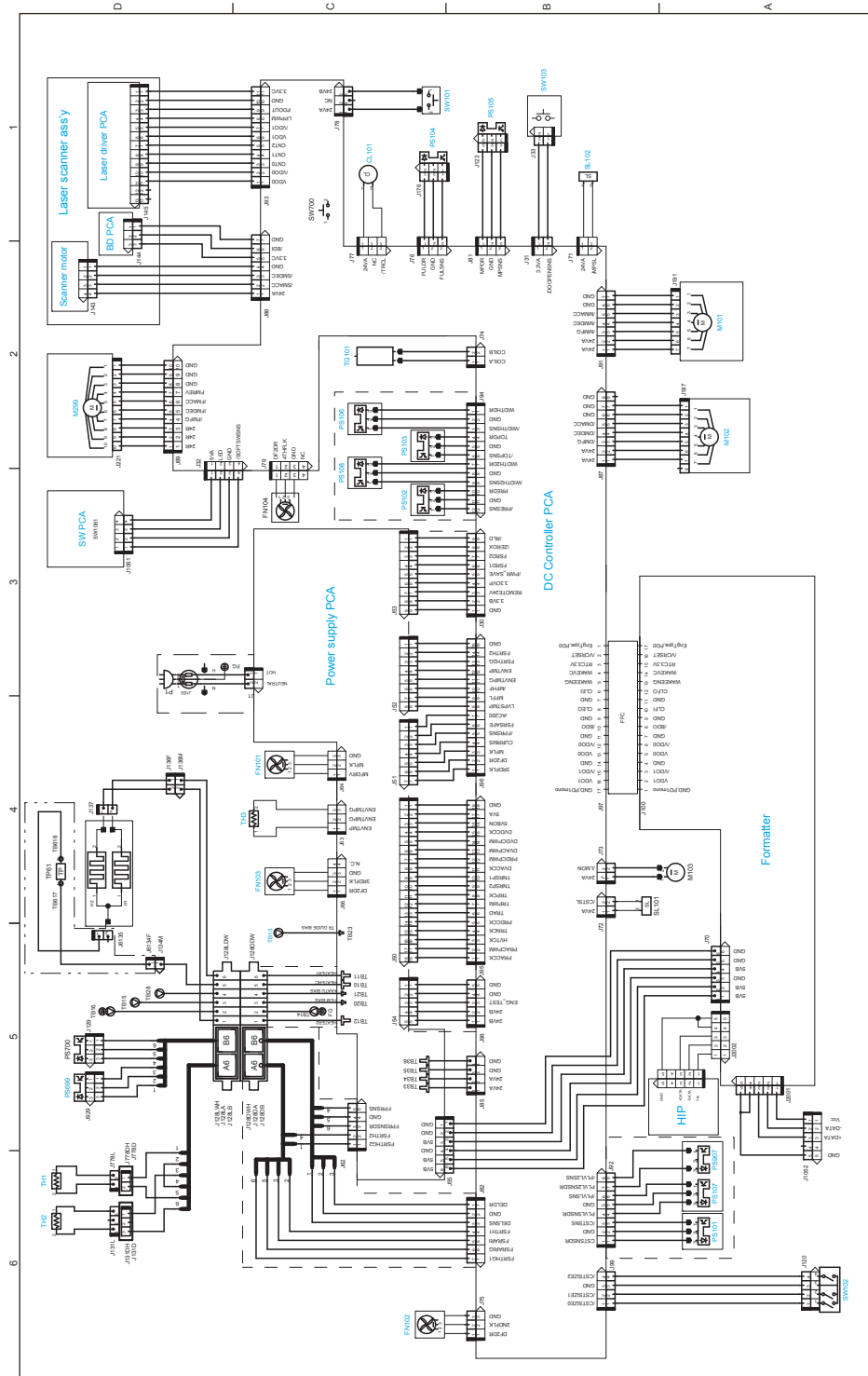
Item	Description
1	Driver PCA
2	Lifter motor



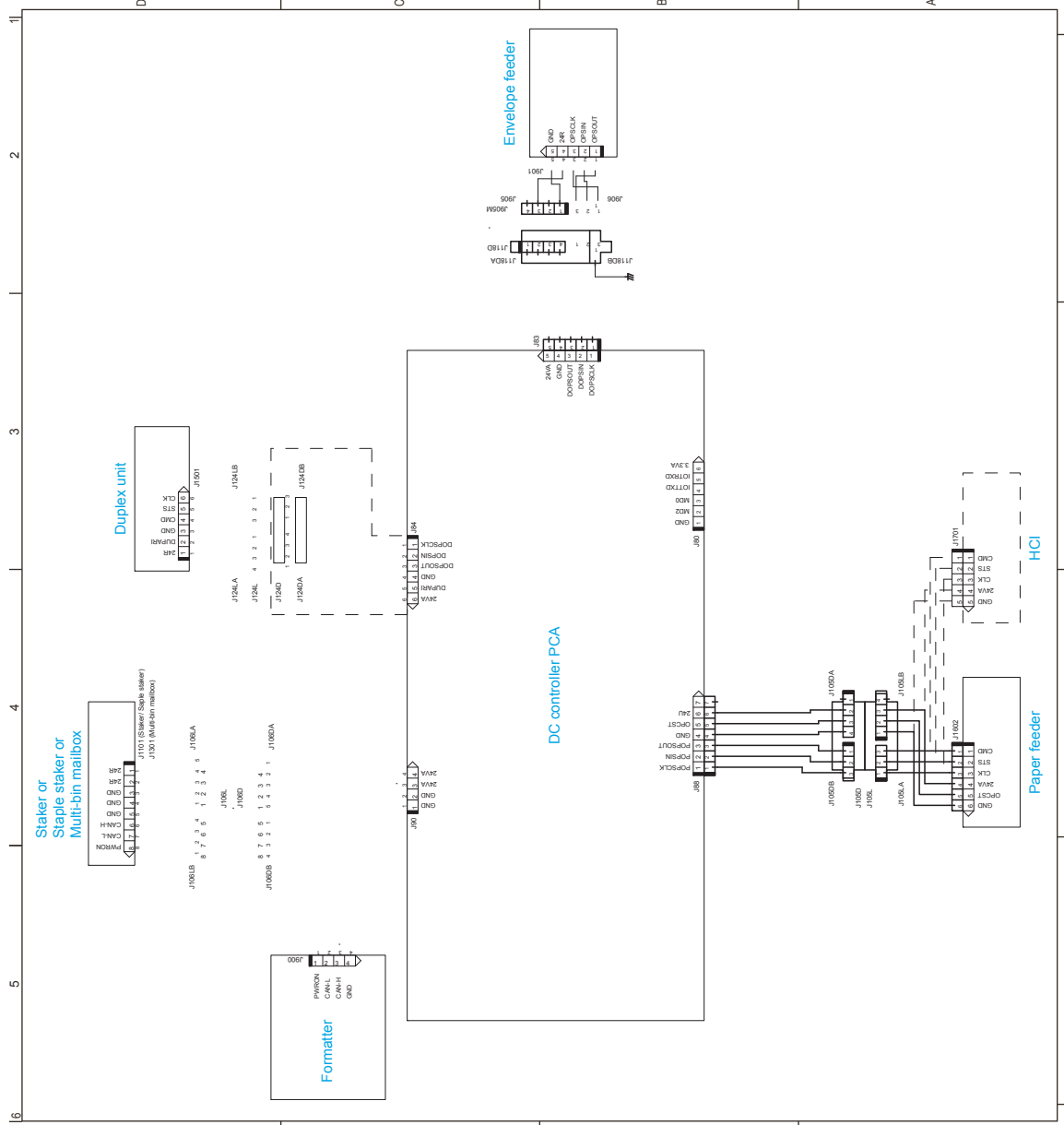


## Diagrams: General circuit diagrams

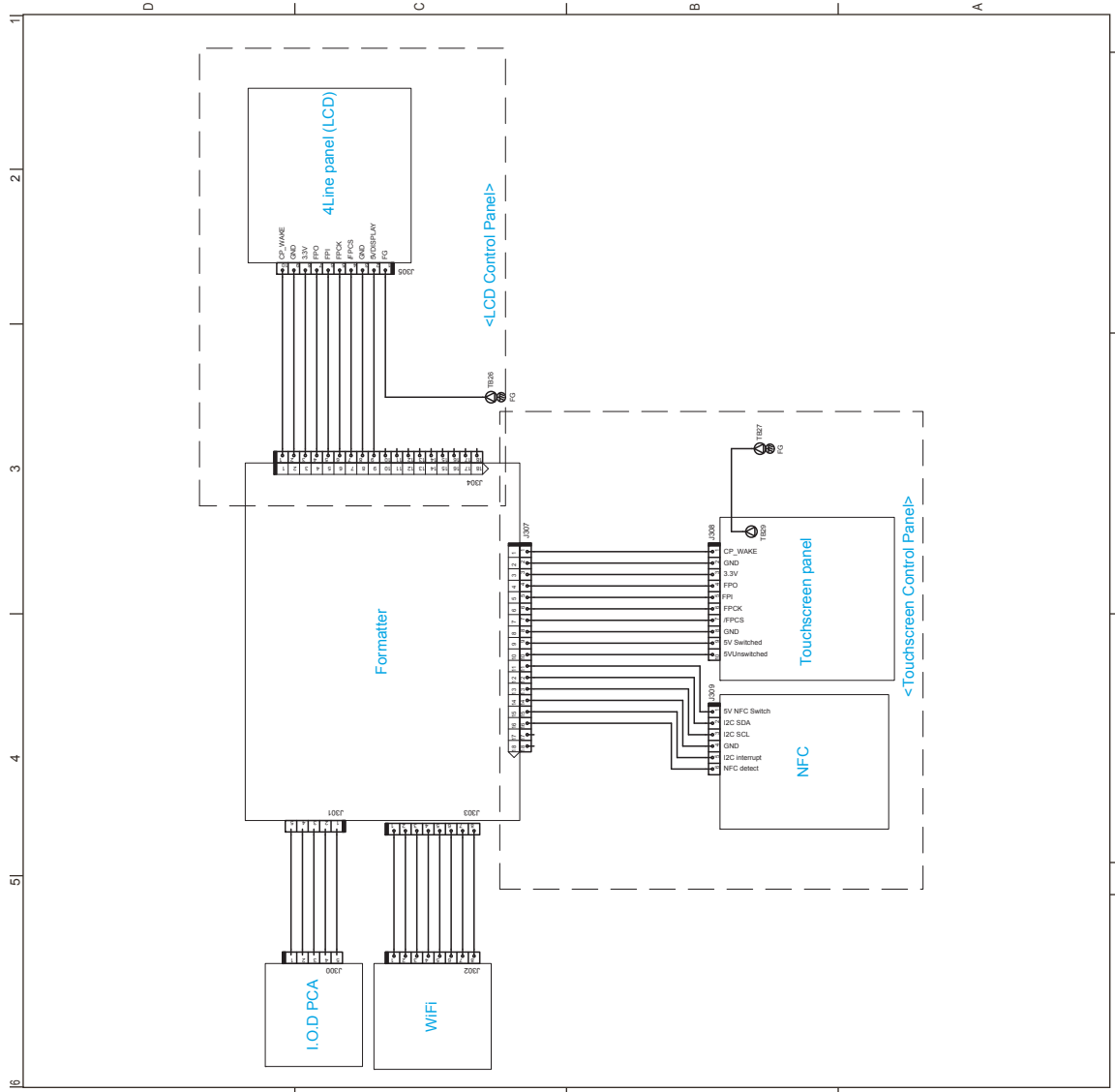
Figure 2-79 General circuit diagram for the printer base (1 of 3)



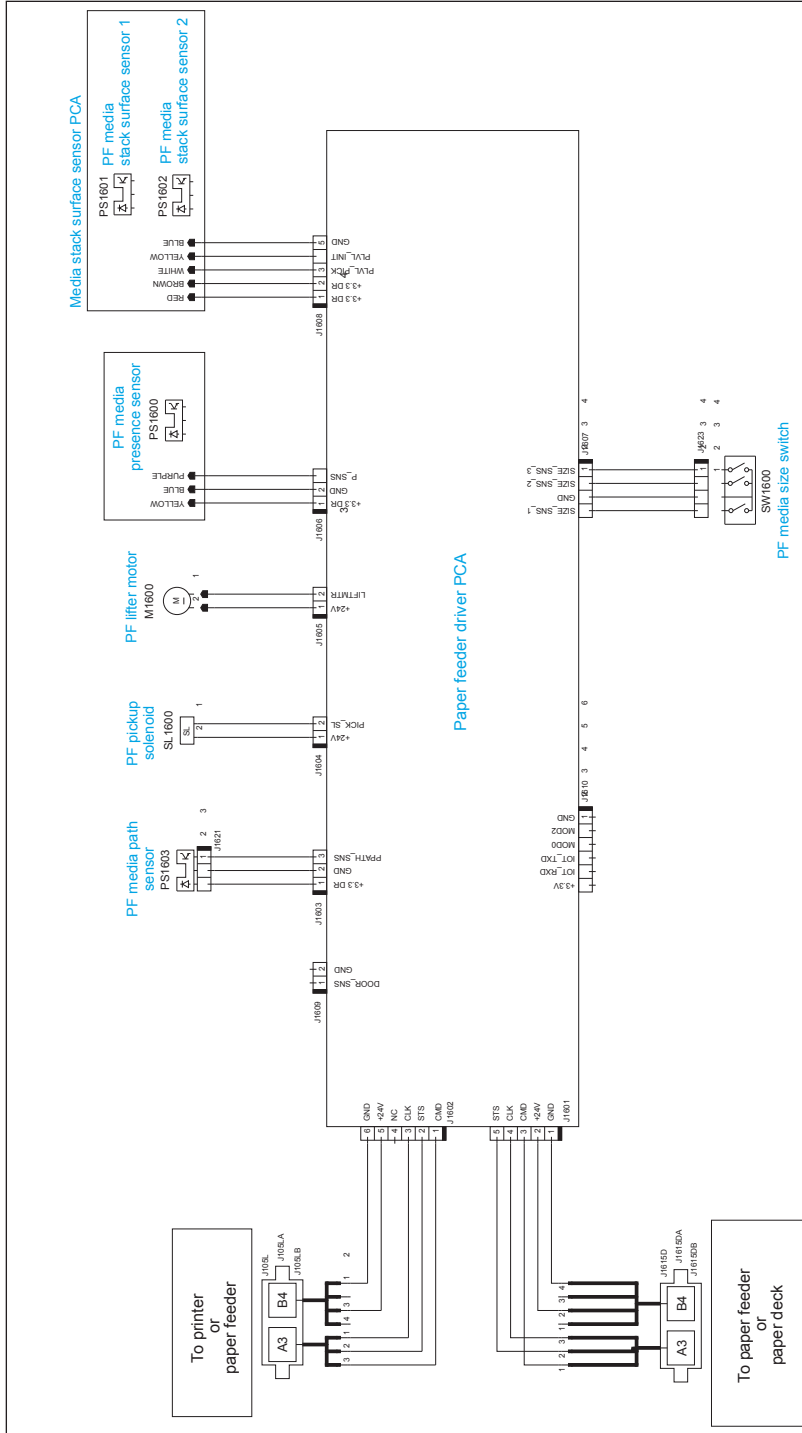
**Figure 2-80** General circuit diagram for the printer base (2 of 3)



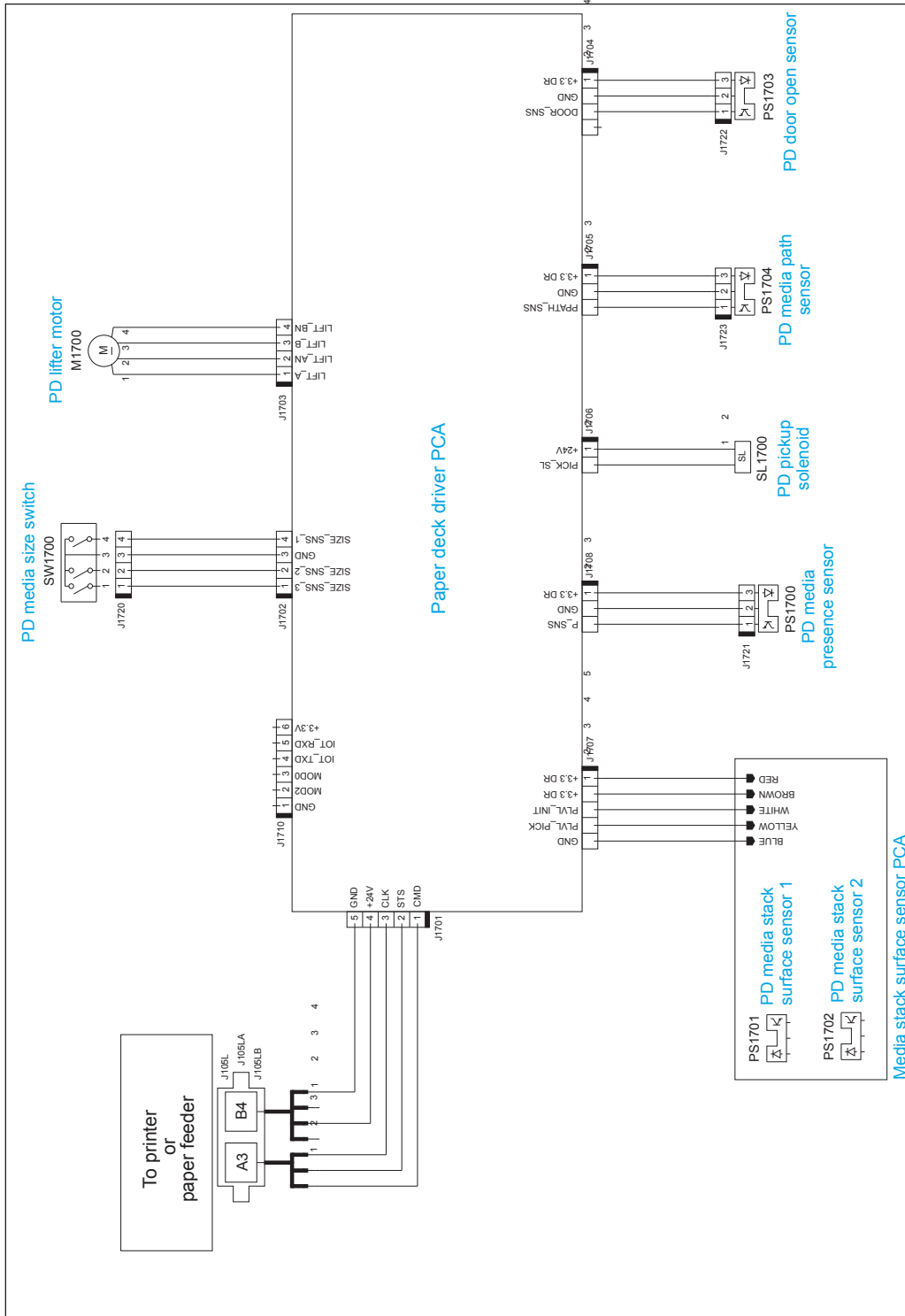
**Figure 2-81** General circuit diagram for the printer base (3 of 3)



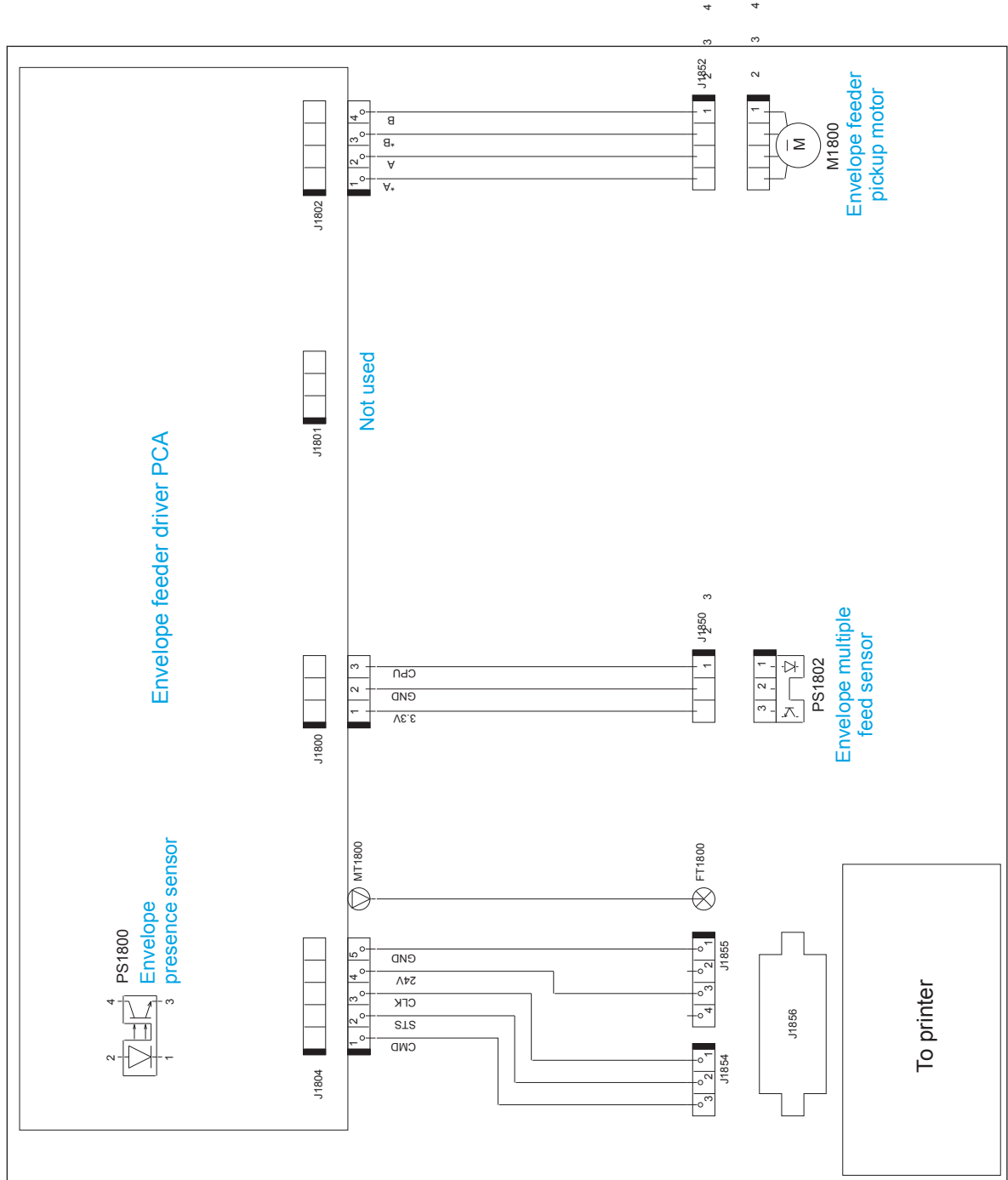
**Figure 2-82** General circuit diagram for the 1x500-sheet feeder



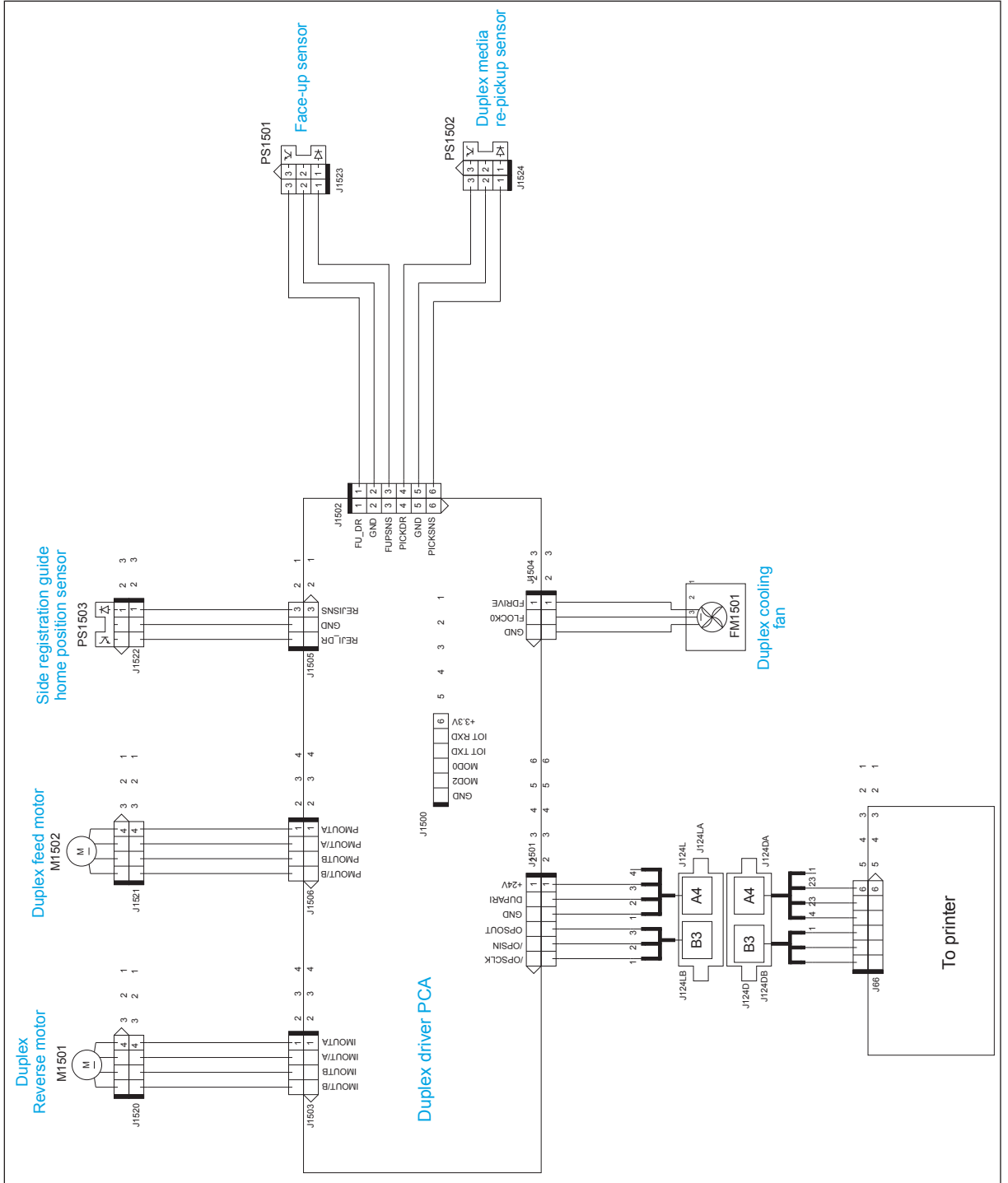
**Figure 2-83** General circuit diagram for the 1,500-sheet high-capacity feeder (HCI)



**Figure 2-84** General circuit diagram for the envelope feeder



**Figure 2-85** General circuit diagram for the duplexer



## Internal print-quality test pages

### Print a configuration page



**NOTE:** Depending on the model, up to three pages print when printing a configuration page. In addition to the main configuration page, the HP embedded Jetdirect configuration and the wireless pages print.

---

#### Print the configuration page from a touchscreen control panel

1. From the [Home](#) screen on the printer control panel, scroll to and touch the [Administration](#) button.
2. Open the following menus:
  - [Reports](#)
  - [Configuration/Status Pages](#)
3. Touch [Configuration Page](#) to select it.
4. Touch the [Print](#) button to print the pages.

#### Print the configuration page from a LCD control panel

1. From the [Home](#) screen on the printer control panel, use the down arrow ▼ button to scroll to [Administration](#), and then press the [OK](#) button.
2. Open the following menus:
  - [Reports](#)
  - [Configuration/Status Pages](#)
3. Use the down arrow ▼ button to scroll to [Configuration Page](#), and then press the [OK](#) button to select it.
4. Use the up arrow ▲ button to scroll to [Print](#), and then press the [OK](#) button to print the pages.



**Figure 2-86** Configuration page

**Configuration Page**
**HP LaserJet M605**
Page 1

**1** **Device Information**

Product Name: HP LaserJet M605  
 Device Name: HP LaserJet M605  
 Model Number: CXXXXA  
 DC Controller Version: 1.102  
 Device Serial Number: XXXXXXXXXX  
 Formatter Number: XXXXXXXXXX  
 Firmware Bundle Version: Beta  
 Firmware Revision: 235/7930\_482546  
 Firmware Datecode: 20140617  
 HP FutureSmart Level: HP FutureSmart 3  
 NFC revision: Not Installed  
 Service ID: 00000  
 Maintenance Kit Interval: 225000  
 Pages Since Last Maintenance: 0  
 PS wait Time-out: 300 seconds  
 Engine Cycles\*: 7  
 \*Not weighted for billing

**2** **Installed Personalities and Options**

PCL: 20010402  
 PCLXL: 20010402  
 POSTSCRIPT: 20010402  
 PDF: 20130901  
 AirPrint: 2040201  
 Internal Disk: Hard Disk: Enabled  
 Serial Number: DE160322  
 Model: Toshiba 09G400  
 Capacity: 3776 MB  
 Hard Disk Encryption Status: Disk cannot be encrypted  
 HP Printer Trusted Platform Module: Enabled  
 Firmware: 01.02.149.32  
 EK Thumbprint:  
 CAE91A00436783210A0F476F98139EFC54E036A9  
 SRK Thumbprint:  
 F8091A00436783210A0F476F98139EFC54E084F9  
 Embedded HP JetDirect J.BAD: NP1245593  
 Wireless HP JetDirect J8032E: 0.0.0.0

**3** **HP Web Services**

HP Web Services: Disabled  
 ePrint: Disabled

**4** **Memory**

Total RAM: 512 MB

**5** **Event Log**

Number of Entries in Use: 17  
 Three Most Recent Entries:


Number	Cycles	Event
17	7	10:99:40
16	7	33:02:02
15	7	33:02:02

**6** **Security**

Hard Disk Encryption Status:  
 Internal Disk: Disk cannot be encrypted  
 Job Data Encryption Status: Encrypted (AES-128)  
 Job Data Persistence: [[[violatle]]]  
 File Erase Mode: Non-Secure Fast Erase (No overwrite)  
 Control Panel Password: Disabled  
 Support Key: R05P-79MS-UE4G  
 Host USB plug and play: Enabled  
 Device USB: Enabled

**7** **Paper Trays and Options**

Default Paper Size: Letter  
 Tray 1 Size: Any Size  
 Tray 1 Type: Any Type  
 Tray 2 Size: Letter  
 Tray 2 Type: Plain  
 1: Output Bin 1, 500 Sheets, Standard bin (correct order)  
 2: Output Bin 2, 100 Sheets, Rear bin (straightest path)

April27/2000 6:56:00 PM

English (United States)

**Table 2-36** Configuration page

Item	Description	Item	Description
1	Device information	5	Event log
2	Installed personalities and options	6	Security
3	HP Web services	7	Paper trays and options
4	Memory		

## HP embedded Jetdirect page

The second configuration page is the HP embedded Jetdirect page, which contains the following information:  
Always make sure the status line under the general information line indicates "**HP embedded Jetdirect page.**"

**Figure 2-87** Configuration page

The screenshot shows the configuration page for an HP LaserJet M605 printer. The page is titled "Embedded Jetdirect Page" and "HP LaserJet M605". It is divided into several sections:

- General Information:** Status: I/O Card Initializing; Model Number: J8032E; Hardware Address: 6CC217245593; Firmware Version: JD124s00215; Port Config: Unknown; Auto Negotiation: On; Manufacturing ID: 5107510700\*\*\*\*-M; Build Date: 06/16/2014 06:00:50; WS Registration: Not Registered; ePrint: Not Applicable; Email: Not Applicable.
- Security Settings:** IPsec: Disabled; Secure Web: HTTPS Required; Cert Expires: 2005-01-17 02:14 UTC; SNMP Versions: 1,2; SNMP Set Only Name: Not Specified; SNMP Get Only Name: Not Specified/Default; Access List: Not Specified; Admin Password: Not Specified; Announcement Agent: Success; FIPS: Disabled.
- Network Statistics:** Total Packets Received: 0; Unicast Packets Received: 0; Bad Packets Received: 0; Framing Errors Received: 0; Total Packets Transmitted: 0; Unsendable Packets: 0; Transmit Collisions: 0; Transmit Late Collisions: 0; Last Make: 00000000000000000000000000000000; Last Make: 00000000000000000000000000000000; Last Make: 00000000000000000000000000000002.
- TCP/IP:** IPv4: Enabled; IPv6: Enabled; Host Name: NP1245593; IPv4 Domain Name: Not Specified; IPv6 Domain Name: Not Specified; Primary DNS Server: Not Specified; Secondary DNS Server: Not Specified; DNS(IPv6): Not Specified; WINS Server: Not Specified; TCP Idle Timeout: 90 sec.
- IPv4:** Status: Initializing; IP Address: 0.0.0.0; Subnet Mask: 0.0.0.0; Default Gateway: 0.0.0.0; Config By: Not Configured; BOOTP/DHCP Server: 0.0.0.0; TFTP Server: 0.0.0.0; Bonjour Service Name: Not Specified.
- IPv6:** Status: Ready; Link-Local: Not Configured; Stateless: Not Configured; DHCPv6: Not Configured; Menu: Not Configured.

The status line at the top indicates "HP embedded Jetdirect page." The page is dated April 27, 2000, 6:56:00 PM and is in English (United States).

Item	Description
1	<b>General Information</b> indicates the printer status, model number, hardware firmware version, port select, port configuration, auto negotiation, manufacturing identification, and manufactured date.
4	<b>Security Settings</b> information
3	<b>Network Statistics</b> indicates the total packets received, unicast packets received, bad packets received, framing errors received, total packets transmitted, unsendable packets, transmit collisions, and transmit late collisions.
4	<b>TCP/IP</b> information, including the IP address
5	<b>IPv4</b> information
6	<b>IPv6</b> information

## Wireless page

The third configuration page is the wireless page, which contains the following information:  
Always make sure the status line under the general information line indicates "**I/O Card Ready.**"

**Figure 2-88** Wireless page

Item	Description
1	<b>General Information</b> indicates the printer status, model number, hardware firmware version, port select, port configuration, auto negotiation, manufacturing identification, and manufactured date.
2	<b>Wireless Direct</b> indicates the wireless function status.
3	<b>Connected Clients</b> indicates the MAC or IP address of connected clients.
4	<b>Security Settings</b> information
5	<b>Network Statistics</b> indicates the total packets received, unicast packets received, bad packets received, framing errors received, total packets transmitted, unsendable packets, transmit collisions, and transmit late collisions.
6	<b>TCP/IP</b> information, including the IP address.

<b>7</b>	<b>IPv4</b> information.
<b>8</b>	<b>IPv6</b> information.

## Finding important information on the configuration pages

Certain information, such as the firmware date codes, the IP address, and the email gateways, is especially helpful while servicing the printer. This information is on the various configuration pages.

**Table 2-39 Important information on the configuration pages**

Type of information	Specific information	Configuration page
<b>Firmware date codes</b>  When performing a remote firmware upgrade procedure, all of these firmware components are upgraded.	DC controller	Look on the main configuration page, under "Device Information."
	Firmware datecode	Look on the main configuration page, under "Device Information."
	HP embedded Jetdirect firmware version	Look on the HP embedded Jetdirect page, under "General Information."
<b>Accessories and internal storage</b>  All optional devices that are installed on the printer should be listed on the main configuration page.  In addition, separate pages print for the optional paper handling devices and the fax accessory. These pages list more-detailed information for those devices.	Embedded HP Jetdirect	Look on the main configuration page, under "Installed Personalities and Options." Shows model and ID.
	Total RAM	Look on the main configuration page, under "Memory."
	Duplex unit	Look on the main configuration page, under "Paper Trays and Options."
Additional 500-sheet feeders	Additional 500-sheet feeders	Look on the main configuration page, under "Paper Trays and Options."
<b>Engine cycles and event logs</b>  Total page counts and maintenance kit counts are important for ongoing printer maintenance.  The configuration page lists only the three most recent errors. To see a list of the 50 most recent errors, print an event log from the <a href="#">Diagnostics</a> menu.	Engine cycles	Look on the main configuration page, under "Device Information."
	Event-log information	Event-log information

## Print a fuser test page

Use the fuser test page to evaluate problems with fuser print quality.

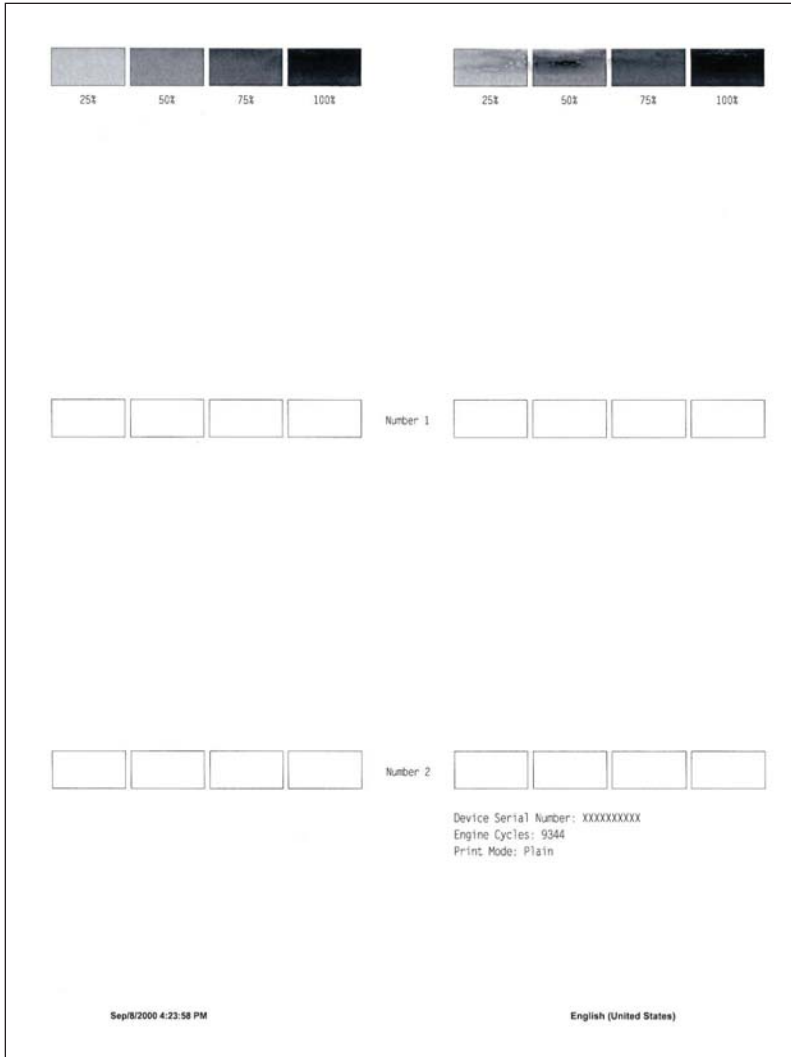
### Print a fuser test page from a touchscreen control panel

1. From the [Home](#) screen on the printer control panel, scroll to and touch the [Administration](#) button.
2. Open the following menus:
  - [Troubleshooting](#)
  - [Print Quality Pages](#)
  - [Fuser Test Page](#)
3. Touch the [Print](#) button.

### Print a fuser test page from a LCD control panel

1. From the [Home](#) screen on the printer control panel, use the down arrow ▼ button to scroll to [Administration](#), and then press the [OK](#) button.
2. Use the arrow down ▼ button to scroll to [Troubleshooting](#), and then press the [OK](#) button.
3. If necessary, use the arrow down ▼ button to scroll to [Print Quality Pages](#), and then press the [OK](#) button to start the calibration process.
4. If necessary, use the down arrow ▼ button to scroll to [Fuser Test Page](#), and then press the [OK](#) button to print the page.

**Figure 2-89** Print a fuser test page



## Print a cleaning page

### Print the cleaning from a touchscreen control panel

1. From the [Home](#) screen on the printer control panel, scroll to and touch the [Device Maintenance](#) button.
2. Open the following menus:
  - [Calibration/Cleaning](#)
3. Use the ▼ to scroll to [Cleaning Page](#), and then press the [OK](#)
4. The cleaning process can take several minutes. When it is finished, discard the printed page.

### Print the cleaning page from a LCD control panel

1. From the [Home](#) screen on the printer control panel, use the down arrow ▼ button to scroll to [Device Maintenance](#), and then press the [OK](#) button.
2. Use the down arrow ▼ button to scroll to [Calibration/Cleaning](#), and then press the [OK](#) button.
3. If necessary, use the down arrow ▼ button to scroll to [Cleaning](#), and then press the [OK](#) button to print the page.
4. Follow the instruction on the printed cleaning page to finish the cleaning page process.

### Enable and configure auto cleaning

Use the procedure in this section to enable and configure the automatic cleaning function.

### To enable the auto cleaning function from a touchscreen control panel



---

**NOTE:** M605x and M606x models only.

---

1. From the [Home](#) screen on the printer control panel, scroll to and touch the [Device Maintenance](#) button.
2. Open the following menus:
  - [Calibration/Cleaning](#)
  - [Auto Cleaning](#)
3. Select the [Enable](#) item, and then touch the [Save](#) button.



## Control-panel menus

### Administration menu

You can perform basic printer setup by using the [Administration](#) menu. Use the HP Embedded Web Server for more advanced printer setup. To open the HP Embedded Web Server, enter the printer IP address or host name in the address bar of a Web browser.

### Reports menu

**To display:** At the printer control panel, select the [Administration](#) menu, and then select the [Reports](#) menu.



**NOTE:** For the M605x and M606x models, use the [Print](#) button to print the report.

For all other models, use the up arrow [▲](#) button or down arrow [▼](#) button to highlight the report, and then press the [OK](#) button. Then use the [▲](#) button to highlight [Print](#), and then press the [OK](#) button. to print the report.

**Table 2-40** Reports menu

First level	Second level	Values	Description
Configuration/Status Pages	Administration Menu Map		Shows a map of the entire <a href="#">Administration</a> menu and the selected values for each setting.
	Current Settings Page		Print a summary of the current settings for the printer. This might be helpful if you plan to make changes and need a record of the present configuration.
	Configuration Page		Shows the printer settings and installed accessories.
	How to Connect Page		Shows network connection information.
	Supplies Status Page		Shows the approximate remaining life for the supplies; reports statistics about the total number of pages and jobs processed, serial number, page counts, and maintenance information.  HP provides approximations of the remaining life for the supplies as a customer convenience. The actual remaining supply levels might be different than the approximations provided.
	Usage Page		Shows a count of all paper sizes that have passed through the printer; lists whether they were simplex, duplex, or monochrome; and reports the page count.
	File Directory Page		Shows the file name and folder name for files that are stored in the printer memory.


**Table 2-40 Reports menu (continued)**

<b>First level</b>	<b>Second level</b>	<b>Values</b>	<b>Description</b>
	<a href="#">Web Services Status Page</a>		Shows the detected Web Services for the printer.
<a href="#">Fax Reports</a> (Fax models only)	<a href="#">Fax Activity Log</a>		Contains a list of the faxes that have been sent from or received by this printer.
	<a href="#">Billing Codes Report</a>		Provides a list of billing codes that have been used for outgoing faxes. This report shows how many sent faxes were billed to each code.
	<a href="#">Blocked Fax List</a>		A list of phone numbers that are blocked from sending faxes to this printer.
	<a href="#">Speed Dial List</a>		Shows the speed dials that have been set up for this printer.
	<a href="#">Fax Call Report</a>		A detailed report of the last fax operation, either sent or received.
<a href="#">Other Pages</a>	<a href="#">PCL Font List</a>		Prints the available PCL fonts.
	<a href="#">PS Font List</a>		Prints the available PS fonts.

## General Settings menu

**To display:** At the printer control panel, select the [Administration](#) menu, and then select the [General Settings](#) menu.

In the following table, asterisks (\*) indicate the factory default setting.

 **NOTE:** For the M605x and M606x models, use the [Save](#) button to save a selected option.

For all other models, use the up arrow ▲ button or down arrow ▼ button to highlight an option, and then press the [OK](#) button to save the selected option.

**Table 2-41 General Settings menu**

First level	Second level	Third level	Fourth level	Values	Description	
Date/Time Settings	Date/Time Format	Date Format		DD/MMM/YYYY	Use the <a href="#">Date/Time Settings</a> menu to specify the date and time and to configure date/time settings.	
				MMM/DD/YYYY		
			YYYY/MMM/DD			
		Time Format		12 hour (AM/PM)	Select the format that the printer uses to show the date and time, for example 12-hour format or 24-hour format.	
				24 hours		
		Date/Time	Time Zone		Select the time zone from a list.	
		Date		Select the date from a pop-up calendar.		
		Time		Select the time from a pop-up keypad.		
		Adjust for Daylight Savings		Checkbox	If you are in an area that uses daylight savings time, select the <a href="#">Adjust for Daylight Savings</a> box.	
Energy Settings	Sleep Schedule	A list of scheduled events displays.		+ (Add)	Use to configure the printer to automatically wake up or go to sleep at specific times on specific days. Using this feature saves energy.	
				Edit		
				Delete		
				Event Type	Wake	Select whether to add or edit a <a href="#">Wake</a> event or a <a href="#">Sleep</a> event, and then select the time and the days for the wake or sleep event.
					Sleep	
	Event Time					
	Event Days		Select days of the week from a list.			

**Table 2-41 General Settings menu (continued)**

First level	Second level	Third level	Fourth level	Values	Description
	Sleep Timer Settings	Sleep Mode/Auto Off After		Range: 1 to 120 minutes  Default = 60 minutes	Set the number of minutes after which the printer enters Sleep or Auto Off mode. Use the arrow buttons on the control panel to increase or decrease the number of minutes.
	Wake/Auto On to These Events			All Events*  Network port  Power button only	
Print Quality	Image Registration	Adjust Tray <X>	Print Test Page		<p>Shift the margin alignment to center the image on the page from top to bottom and from left to right. You can also align the image on the front with the image printed on the back.</p> <p>Use the <a href="#">Adjust Tray &lt;X&gt;</a> menu to adjust the registration settings for each tray. Before adjusting these values, print a registration test page. It provides alignment guides in the X and Y directions so you can determine which adjustments are necessary. You can adjust values for X1 Shift, X2 Shift, Y1 Shift, and Y2 Shift.</p> <p>Use the <a href="#">Print Test Page</a> option to print a page to test the image registration. It provides alignment guides in the X and Y directions so you can determine which adjustments are necessary.</p>

**Table 2-41 General Settings menu (continued)**

First level	Second level	Third level	Fourth level	Values	Description
			X1 Shift	-5.00 mm to 5.00 mm	The direction that is perpendicular to the way the paper passes through the printer is referred to as X. This is also known as the scan direction. X1 is the scan direction for a single-sided page or for the second side of a two-sided page. X2 is the scan direction for the first side of a two-sided page.
			Y1 Shift		
			X2 Shift		
			Y2 Shift		
	Optimize	Line Detail		Normal*	Use this setting if you have scattered lines in printed pages.
				Alternate 1	
				Off	
		Restore Optimize			Use to return all the settings in the <a href="#">Optimize</a> menu to the factory-default values.
	Resolution			300 x 300 dpi*	Sets the resolution at which the printer prints.
				600 x 600 dpi*	
				FastRes 1200	
				ProRes 1200	
	REt			On	Use this setting to enable or disable Resolution Enhancement technology (REt), which produces smoother angles, curves, and edges.
				Off	
	Economode			On	Use this setting to enable or disable the Economode feature, which conserves toner.
				Off	
	Toner density			Lighter print	Range: 1 to 5 (default: 3)
				Darker print	

**Table 2-41 General Settings menu (continued)**

First level	Second level	Third level	Fourth level	Values	Description
Jam Recovery				Auto* Off On	<p>This printer provides a jam recovery feature that reprints jammed pages. Select one of the following options:</p> <p><b>Auto:</b> The printer attempts to reprint jammed pages when sufficient memory is available. This is the default setting.</p> <p><b>Off:</b> The printer does not attempt to reprint jammed pages. Because no memory is used to store the most recent pages, performance is optimal.</p> <p><b>NOTE:</b> When using this option, if the printer runs out of paper and the job is being printed on both sides, some pages can be lost.</p> <p><b>On:</b> The printer always reprints jammed pages. Additional memory is allocated to store the last few pages printed. This might cause overall performance to suffer.</p>
Auto Recovery				Enabled Disabled*	<p>The printer attempts to reprint jammed pages when sufficient memory is available. This is the default setting.</p>
Manage Stored Jobs	General Stored Job Settings			Job Name* Date Default Folder Name	<p>List the jobs either alphabetically or chronologically, and select a default folder for stored jobs.</p>
	Temporary Stored Job Settings	Retain Temporary Jobs After Reboot		Do not retain Personal job only All temporary jobs	<p>Select how temporary jobs are treated when the power is turned off, and then on again</p>
		Delete Temporary Jobs After:		Off* 1 hour 4 hours 1 day 1 week	<p>Select if, or for how long, temporary jobs are stored.</p>

**Table 2-41 General Settings menu (continued)**

First level	Second level	Third level	Fourth level	Values	Description
		Temporary Job Storage Limit		1 to 300 jobs	Select the maximum number of stored jobs allowed.
Enable Retrieve from USB				Enabled Disabled*	Enables the printer to open a file from a USB drive.
Hold Off Print Job				Enabled* Disabled	Enable this feature if you want to prevent print jobs from starting while a user is initiating a copy job from the control panel. Held print jobs start printing after the copy job is finished, provided that no other copy job is in the print queue.
Restore Factory Settings					Use to restore all printer settings to their factory defaults.

## General Print Settings menu

**To display:** At the printer control panel, select the [Administration](#) menu, and then select the [General Print Settings](#) menu.

In the following table, asterisks (\*) indicate the factory default setting.



**NOTE:** For the M605x and M606x models, use the [Save](#) button to save a selected option.

For all other models, use the up arrow ▲ button or down arrow ▼ button to highlight an option, and then press the [OK](#) button to save the selected option.

**Table 2-42** General Print Settings menu

First level	Second level	Values	Description
Manual Feed		Enabled	Use to enable or disable the manual-feed feature, which allows the user to feed paper into the printer by hand. When this feature is enabled, the user can select manual feed from the control panel as the paper source for a job. If a tray is not specified as part of a job, manual feed is selected.
		Disabled*	
Courier Font		Regular*	Select which version of the Courier font you want to use. The factory default setting is <a href="#">Regular</a> , which uses an average stroke width. The <a href="#">Dark</a> setting can be used if a heavier Courier font is needed.
		Dark	
Wide A4		Enabled	Changes the printable area of A4-size paper. If you enable this option, eighty 10-pitch characters can be printed on a single line of A4 paper.
		Disabled*	
Print PS Errors		Enabled	Use this feature to select whether a PostScript (PS) error page is printed when the printer encounters a PS error.
		Disabled*	
Print PDF Errors		Enabled	Selects whether a PDF error page is printed when the printer encounters a PDF error.
		Disabled*	
Personality		Auto*	Configures the default print language or personality for the printer. Normally you should not change the printer language. If you change the setting to a specific printer language, the printer does not automatically switch from one language to another unless specific software commands are sent to it.
		PCL	
		POSTSCRIPT	
		PDF	



**Table 2-42 General Print Settings menu (continued)**

First level	Second level	Values	Description
PCL	Form Length	Range: 5 – 128 Default = 60	Controls the PCL print-command options. PCL is a set of printer commands that Hewlett-Packard developed to provide access to printer features.  Use the <a href="#">Form Length</a> feature to select the user-soft default vertical form length.
	Orientation	<a href="#">Portrait</a> * <a href="#">Landscape</a>	Select the orientation that is most often used for copy or scan originals. Select the <a href="#">Portrait</a> option if the short edge is at the top or select the <a href="#">Landscape</a> option if the long edge is at the top.
	Font Source	<a href="#">Internal</a> *	Selects the font source for the user-soft default font. The list of available options varies depending on the installed printer options.
	Font Number	Range: 0 – 110 Default = 0	Specifies the font number for the user-soft default font using the source that is specified in the <a href="#">Font Source</a> menu. The printer assigns a number to each font and lists it on the PCL font list. The font number displays in the Font # column of the printout.
	Font Pitch	Range: 0.44 – 99.99 Default = 10	If the <a href="#">Font Source</a> option and the <a href="#">Font Number</a> setting indicate a contour font, then use this feature to select a default pitch (for a fixed-spaced font).
	Font Point Size	Range: 4.00 – 999.75 Default = 12.00	If the <a href="#">Font Source</a> option and the <a href="#">Font Number</a> setting indicate a contour font, then use this feature to select a default point size (for a proportional-spaced font).
	Symbol Set	Select from a list of symbol sets.	Select any one of several available symbol sets from the control panel. A symbol set is a unique grouping of all the characters in a font. The factory default value for this option is PC-8. Either PC-8 or PC-850 are recommended for line-draw characters.

**Table 2-42 General Print Settings menu (continued)**

First level	Second level	Values	Description
	Append CR to LF	No* Yes	Configure whether a carriage return (CR) is appended to each line feed (LF) encountered in backwards-compatible PCL jobs (pure text, no job control). Select <b>Yes</b> to append the carriage return. The default setting is <b>No</b> . Some environments, such as UNIX, indicate a new line by using only the line-feed control code. This option allows the user to append the required carriage return to each line feed.
	Suppress Blank Pages	No* Yes	This option is for users who are generating their own PCL, which could include extra form feeds that would cause blank pages to be printed. When the <b>Yes</b> option is selected, form feeds are ignored if the page is blank.
	Media Source Mapping	Standard* Classic	Use to select and maintain input trays by number when you are not using the printer driver, or when the software program has no option for tray selection. The following options are available:  <b>Standard:</b> Tray numbering is based on newer HP LaserJet models.  <b>Classic:</b> Tray numbering is based on HP LaserJet 4 and older models.

## Default Print Options menu

**To display:** At the printer control panel, select the [Administration](#) menu, and then select the [Default Print Options](#) menu.

In the following table, asterisks (\*) indicate the factory default setting.



**NOTE:** For the M605x and M606x models, use the [Save](#) button to save a selected option.

For all other models, use the up arrow ▲ button or down arrow ▼ button to highlight an option, and then press the [OK](#) button to save the selected option.

**Table 2-43 Default Print Options menu**

First level	Second level	Values	Description
Number of Copies		Range: 1–32000 Default = 1	Sets the default number of copies for a copy job. This default applies when the <a href="#">Copy</a> function or the <a href="#">Quick Copy</a> function is initiated from the printer Home screen.
Default Paper Size		Select from a list of sizes that the printer supports.	Configures the default paper size used for print jobs.
Default Custom Paper Size	X Dimension	Range: 3–8.5 inches Default = 8.5 inches	Configures the default paper size that is used when the user selects <b>Custom</b> as the paper size for a print job.
	Y Dimension	Range: 5–14 inches Default = 14 inches	
	Use Inches	<a href="#">Enabled</a> * <a href="#">Disabled</a>	
Paper Path		<a href="#">Automatic</a> * <a href="#">Face-up (straightest path)</a> <a href="#">Face-down (correct order)</a>	Use this item to select the appropriate paper path through the printer for the print job.
Sides		<a href="#">1-sided</a> * <a href="#">2-sided</a>	Use to indicate whether the original document is printed on one or both sides, and whether the copies should be printed on one or both sides. For example, select the <a href="#">1-sided original, 2-sided output</a> option when the original is printed on one side, but you want to make two-sided copies.  Select the <a href="#">Orientation</a> setting to specify portrait or landscape orientation and to select the way the second sides are printed.

**Table 2-43 Default Print Options menu (continued)**

First level	Second level	Values	Description
2-Sided Format		Book-style* Flip-style	Configures the default style for 2-sided print jobs. If the <b>Book-style</b> option is selected, the back side of the page is printed the right way up. This option is for print jobs that are bound along the left edge. If the <b>Flip-style</b> option is selected, the back side of the page is printed upside-down. This option is for print jobs that are bound along the top edge.
Edge-to-Edge		Normal (recommended)* Edge-to-Edge output	Use to avoid shadows that can appear along the edges of copies when the original document is printed close to the edges.

## Display Settings menu

**To display:** At the printer control panel, select the [Administration](#) menu, and then select the [Display Settings](#) menu.

In the following table, asterisks (\*) indicate the factory default setting.

 **NOTE:** For the M605x and M606x models, use the [Save](#) button to save a selected option.

For all other models, use the up arrow ▲ button or down arrow ▼ button to highlight an option, and then press the [OK](#) button to save the selected option.

**Table 2-44 Display Settings menu**

First level	Second level	Values	Description
Display Brightness		Range: -10 to 10 The default value is 0.	Use to specify the intensity of the LCD control-panel display.
Key Press Sound		On* Off	Use to specify whether you hear a sound when you touch the screen or press buttons on the control panel.
Language Settings	Language	Select from a list of languages that the printer supports.	Use to select a different language for control-panel messages and specify the default keyboard layout. When you select a new language, the keyboard layout automatically changes to match the factory default for the selected language.
	Keyboard Layout	Each language has a default keyboard layout. To change it, select from a list of layouts.	Select the default keyboard layout that matches the language you want to use.
How to Connect Button		Display* Hide	Use this menu item to display or hide the <a href="#">How to Connect Button</a> on the Home screen.
Date and Time		Show Date and Time* Hide Date and Time	Select whether to display or hide the date and time on the control panel Home screen.
Inactivity Timeout		Range: 10 – 300 seconds Default = 60 seconds	Specifies the amount of time that elapses between any activity on the control panel and when the printer resets to the default settings. When the timeout expires, the control-panel display returns to the Home menu, and any user signed in to the printer is signed out.

**Table 2-44 Display Settings menu (continued)**

First level	Second level	Values	Description
Clearable Warnings		On	Use this feature to set the period that a clearable warning displays on the control panel. If the <a href="#">On</a> setting is selected, clearable warnings appear until the <a href="#">Clearable Warnings</a> button is pressed. If the <a href="#">Job</a> setting is selected, clearable warnings stay on the display during the job that generated the warning and disappear from the display when the next job starts.
		Job*	
Continuable Events		Auto-continue (10 seconds)*	Use this option to configure the printer behavior when the printer encounters certain errors. If the <a href="#">Auto-continue (10 seconds)</a> option is selected, the job will continue after 10 seconds. If the <a href="#">Touch OK to continue</a> option is selected, the job will stop and require the user to press the <a href="#">OK</a> button before continuing.
		Touch OK to continue	

## Manage Supplies menu

**To display:** At the printer control panel, select the [Administration](#) menu, and then select the [Manage Supplies](#) menu.

In the following table, asterisks (\*) indicate the factory default setting.



**NOTE:** For the M605x and M606x models, use the [Save](#) button to save a selected option.

For all other models, use the up arrow ▲ button or down arrow ▼ button to highlight an option, and then press the [OK button](#) to save the selected option.

**Table 2-45 Manage Supplies menu**

First level	Second level	Third level	Fourth level	Values	Description
Supplies Status				Print View	
Supply Settings	Black Cartridge	Low Threshold Settings		1-100% Default = 10%	Set the estimated percentage at which the printer notifies you when the toner cartridge is very low.
		Very Low Settings		Stop Prompt to continue* Continue	Specifies how the printer notifies you when the toner cartridge is very low.  <b>Stop:</b> The printer stops until you replace the toner cartridge.  <b>Prompt to continue:</b> The printer stops and prompts you to replace the toner cartridge. You can acknowledge the prompt and continue printing.  <b>Continue:</b> The printer alerts you that a toner cartridge is very low, but it continues printing.
	Maintenance Kit	Low Threshold Settings		1-100% Default = 10%	Set the percentage at which the printer notifies you when the maintenance kit is needed.

**Table 2-45 Manage Supplies menu (continued)**


First level	Second level	Third level	Fourth level	Values	Description
		Very Low Settings		Stop Prompt to continue* Continue	<p>Configure how the printer responds when the maintenance kit is reaching the end of its estimated life.</p> <p><b>Stop:</b> The printer stops until you replace the maintenance kit.</p> <p><b>Prompt to continue:</b> The printer stops and prompts you to replace the maintenance kit. You can acknowledge the prompt and continue printing</p> <p><b>Continue:</b> The printer alerts you that the maintenance kit is very low, but it continues printing.</p>
	Store Usage Data			On supplies Not on supplies	<p>The <b>Store Usage Data</b> menu provides a way to suppress the toner cartridges from storing most of the information gathered exclusively for the purpose of understanding the usage of the printer. Select the <b>On supplies</b> setting to store the data on the toner cartridge memory chip. Select the <b>Not on supplies</b> setting to suppress the information from being stored on the memory chip.</p>
Supply Messages		Low Message		On* Off	<p>Use to configure whether a message displays on the control panel when supplies are getting low, but have not yet reached the low threshold.</p>
Reset Supplies	New Maintenance Kit			Reset Cancel	<p>Select this option if you have installed a new document feeder kit or preventative maintenance kit.</p>



## Manage Trays menu

**To display:** At the printer control panel, select the [Administration](#) menu, and then select the [Manage Trays](#) menu.

In the following table, asterisks (\*) indicate the factory default setting.

 **NOTE:** For the M605x and M606x models, use the [Save](#) button to save a selected option.

For all other models, use the up arrow ▲ button or down arrow ▼ button to highlight an option, and then press the [OK button](#) to save the selected option.

**Table 2-46** Manage Trays menu

First level	Values	Description
Use Requested Tray	Exclusively*	Controls how the printer handles jobs that have specified a specific input tray. Two options are available:  <b>Exclusively:</b> The printer never selects a different tray when the user has indicated that a specific tray should be used, even if that tray is empty.  <b>First:</b> The printer pulls from another tray if the specified tray is empty, even though the user specifically indicated a tray for the job.
	First	
Manually Feed Prompt	Always*	Indicate whether a prompt should appear when the type or size for a job does not match the specified tray and the printer pulls from the multipurpose tray instead. Two options are available:  <b>Always:</b> A prompt always displays before using the multipurpose tray.  <b>Unless loaded:</b> A message displays only if the multipurpose tray is empty.
	Unless loaded	
Size/Type Prompt	Display*	Controls whether the tray configuration message displays whenever a tray is closed. Two options are available:  <b>Display:</b> Shows the tray configuration message when a tray is closed. The user is able to configure the tray settings directly from this message.  <b>Do not display:</b> Prevents the tray configuration message from automatically appearing.
	Do not display	
Use Another Tray	Enabled*	Use to turn on or off the control-panel prompt to select another tray when the specified tray is empty. Two options are available:  <b>Enabled:</b> When this option is selected, the user is prompted either to add paper to the selected tray or to choose a different tray.  <b>Disabled:</b> When this option is selected, the user is not given the option of selecting a different tray. The printer prompts the user to add paper to the tray that was initially selected.
	Disabled	

**Table 2-46 Manage Trays menu (continued)**

First level	Values	Description
Alternative Letterhead Mode	Disabled*	Use to load letterhead or preprinted paper into the tray the same way for all print jobs, whether you are printing to one side of the sheet or to both sides of the sheet. When this option is selected, load the paper as you would for printing on both sides. See the user documentation that came with the printer for instructions about loading letterhead for printing on both sides. When this option is selected, the printer speed slows to the speed required for printing on both sides.
	Enabled	
Duplex Blank Pages	Auto*	Control how the printer handles two-sided jobs (duplexing). Two options are available:  <b>Auto:</b> Enables Smart Duplexing, which instructs the printer not to process blank pages.  <b>Yes:</b> Disables Smart Duplexing and forces the duplexer to flip the sheet of paper even if it is printed on only one side. This might be preferable for certain jobs that use paper types such as letterhead or prepunched paper.
	Yes	
Image rotation	Left to right	Select to rotate the print job on the page.
	Alternate	
Override A4/Letter	Yes*	Prints on letter-size paper when an A4 job is sent but no A4-size paper is loaded in the printer (or to print on A4 paper when a letter-size job is sent but no letter-size paper is loaded). This option will also override A3 with ledger-size paper and ledger with A3-size paper.
	No	

## Stapler/Stacker Settings menu

**To display:** At the printer control panel, select the [Administration](#) menu, and then select the [Stapler/Stacker Settings](#) menu.

In the following table, asterisks (\*) indicate the factory default setting.



**NOTE:** For the M605x and M606x models, use the [Save](#) button to save a selected option.

For all other models, use the up arrow ▲ button or down arrow ▼ button to highlight an option, and then press the [OK](#) button to save the selected option.

**Table 2-47 Default Print Options menu**

First level	Second level	Values	Description
Stapling		None*	Enables the stapling function for the printer, and configures the staple position on the page.
		Top left or right	
		Top left	
		Top right	
Staples Very Low		Continue*	Configures how the printer proceeds if the staple cartridge is empty for a staple print job.
		Stop	

## Network Settings menu

**To display:** At the printer control panel, select the [Administration](#) menu, and then select the [Network Settings](#) menu.

In the following table, asterisks (\*) indicate the factory default setting.



**NOTE:** For the M605x and M606x models, use the [Save](#) button to save a selected option.

For all other models, use the up arrow ▲ button or down arrow ▼ button to highlight an option, and then press the [OK](#) button to save the selected option.

**Table 2-48 Network Settings menu**

First level	Values	Description
IO Timeout	Range: 5 – 300 sec Default = 15	Use to set the I/O timeout period in seconds. I/O timeout refers to the elapsed time before a print job fails. If the stream of data that the printer receives for a print job gets interrupted, this setting indicates how long the printer will wait before it reports that the job has failed.
Embedded Jetdirect Menu	See <a href="#">Table 2-49 Embedded Jetdirect Menu on page 196</a> for details. These menus have the same structure. If an additional HP Jetdirect network card is installed in the EIO slot, then both menus are available.	

**Table 2-49 Embedded Jetdirect Menu**

First level	Second level	Third level	Fourth level	Values	Description
Information	Print Sec Report			Yes No*	Yes: Prints a page that contains the current security settings on the HP Jetdirect print server. No: A security settings page is not printed.
TCP/IP	Enable			On* Off	On: Enable the TCP/IP protocol. Off: Disable the TCP/IP protocol.
	Host Name			Use the arrow buttons to edit the host name. NPIXXXXXX*	An alphanumeric string, up to 32 characters, used to identify the printer. This name is listed on the HP Jetdirect configuration page. The default host name is NPIxxxxxx, where xxxxxx is the last six digits of the LAN hardware (MAC) address.

**Table 2-49 Embedded Jetdirect Menu (continued)**

First level	Second level	Third level	Fourth level	Values	Description
	IPv4 Settings	Config Method		<a href="#">Bootp</a> <a href="#">DHCP*</a> <a href="#">Auto IP</a> <a href="#">Manual</a>	<p>Specifies the method that TCP/IPv4 parameters will be configured on the HP Jetdirect print server.</p> <p><a href="#">Bootp</a> (Bootstrap Protocol): Use for automatic configuration from a BootP server.</p> <p><a href="#">DHCP</a> (Dynamic Host Configuration Protocol): Use for automatic configuration from a DHCPv4 server. If selected and a DHCP lease exists, the <a href="#">DHCP Release</a> menu and the <a href="#">DHCP Renew</a> menu are available to set DHCP lease options.</p> <p><a href="#">Auto IP</a>: Use for automatic link-local IPv4 addressing. An address in the form 169.254.x.x is assigned automatically.</p> <p>If you set this option to the <a href="#">Manual</a> setting, use the <a href="#">Manual Settings</a> menu to configure TCP/IPv4 parameters.</p>
		<a href="#">Manual Settings</a>	<a href="#">IP Address</a>	Enter the address.	(Available only if the <a href="#">Config Method</a> option is set to the <a href="#">Manual</a> option.) Configure parameters directly from the printer control panel:
			<a href="#">Subnet Mask</a>	Enter the address.	
			<a href="#">Default Gateway</a>	Enter the address.	

**Table 2-49 Embedded Jetdirect Menu (continued)**

First level	Second level	Third level	Fourth level	Values	Description
		Default IP		Auto IP* Legacy	Specify the IP address to default to when the print server is unable to obtain an IP address from the network during a forced TCP/IP reconfiguration (for example, when manually configured to use BootP or DHCP).  <b>NOTE:</b> This feature assigns a static IP address that might interfere with a managed network.  <b>Auto IP:</b> A link-local IP address 169.254.x.x is set.  <b>Legacy:</b> The address 192.0.0.192 is set, consistent with older HP Jetdirect products.
		Primary DNS		Range: 0 – 255 Default = <b>xxx.xxx.xx.xx</b>	Specify the IP address (n.n.n.n) of a Primary Domain Name System (DNS) Server.
		Secondary DNS		Range: 0 – 255 Default = <b>0.0.0.0</b>	Specify the IP address (n.n.n.n) of a Secondary DNS Server.
	IPv6 Settings	Enable		Off On*	Use this item to enable or disable IPv6 operation on the print server.  <b>Off:</b> IPv6 is disabled. <b>On:</b> IPv6 is enabled.
		Address	Manual Settings	Enable Address	Use this item to enable and manually configure a TCP/IPv6 address.

**Table 2-49 Embedded Jetdirect Menu (continued)**

First level	Second level	Third level	Fourth level	Values	Description
		DHCPv6 Policy		Router Specified Router Unavailable* Always	<p><b>Router Specified:</b> The stateful auto-configuration method to be used by the print server is determined by a router. The router specifies whether the print server obtains its address, its configuration information, or both from a DHCPv6 server.</p> <p><b>Router Unavailable:</b> If a router is not available, the print server should attempt to obtain its stateful configuration from a DHCPv6 server.</p> <p><b>Always:</b> Whether a router is available, the print server always attempts to obtain its stateful configuration from a DHCPv6 server.</p>
		Primary DNS			
		Secondary DNS			
	Proxy Server			Select from a provided list.	<p>Specifies the proxy server to be used by embedded applications in the product. A proxy server is typically used by network clients for Internet access. It caches Web pages, and provides a degree of Internet security, for those clients.</p> <p>To specify a proxy server, enter its IPv4 address or fully-qualified domain name. The name can be up to 255 octets.</p> <p>For some networks, you might need to contact your Internet Service Provider (ISP) for the proxy server address.</p>

**Table 2-49 Embedded Jetdirect Menu (continued)**

First level	Second level	Third level	Fourth level	Values	Description
	Proxy Port			Default = <b>0080</b>	Enter the port number used by the proxy server for client support. The port number identifies the port reserved for proxy activity on your network, and can be a value from 0 to 65535.
	Idle Timeout			Default = <b>0270</b>	The time period, in seconds, after which an idle TCP print data connection is closed (default is 270 seconds, 0 disables the timeout).
Security	Secure Web			HTTPS Required* HTTPS Optional	For configuration management, specify whether the HP Embedded Web Server will accept communications using HTTPS (Secure HTTP) only, or both HTTP and HTTPS.  <b>HTTPS Required:</b> For secure, encrypted communications, only HTTPS access is accepted. The print server will appear as a secure site.
	IPSEC			Keep Disable*	Specify the IPsec status on the print server.  <b>Keep:</b> IPsec status remains the same as currently configured.  <b>Disable:</b> IPsec operation on the print server is disabled.
	802.1X			Reset Keep*	Specify whether the 802.1X settings on the print server are reset to the factory defaults.  <b>Reset:</b> The 802.1X settings are reset to the factory defaults.  <b>Keep:</b> The current 802.1X settings are maintained.



**Table 2-49 Embedded Jetdirect Menu (continued)**

First level	Second level	Third level	Fourth level	Values	Description
	Reset Security			Yes No*	<p>Specify whether the current security settings on the print server will be saved or reset to factory defaults.</p> <p><b>Yes:</b> Security settings are reset to factory defaults.</p> <p><b>No:</b> The current security settings are maintained.</p>
Diagnostics	Embedded Tests	LAN HW Test		Yes No*	<p>Provides tests to help diagnose network hardware or TCP/IP network connection problems.</p> <p>Embedded tests help to identify whether a network fault is internal or external to the product. Use an embedded test to check hardware and communication paths on the print server. After you select and enable a test and set the execution time, you must select the <b>Execute</b> option to initiate the test.</p> <p>Depending on the execution time, a selected test runs continuously until either the printer is turned off, or an error occurs and a diagnostic page is printed.</p> <p><b>CAUTION:</b> Running this embedded test will erase your TCP/IP configuration.</p> <p>This test performs an internal loopback test. An internal loopback test will send and receive packets only on the internal network hardware. There are no external transmissions on your network.</p>

**Table 2-49 Embedded Jetdirect Menu (continued)**

First level	Second level	Third level	Fourth level	Values	Description
		HTTP Test		Yes No*	<p>This test checks operation of HTTP by retrieving predefined pages from the printer, and tests the HP Embedded Web Server.</p> <p>Select the <b>Yes</b> option to choose this test, or the <b>No</b> option to not choose it.</p>
		SNMP Test		Yes No*	<p>This test checks operation of SNMP communications by accessing predefined SNMP objects on the printer.</p> <p>Select the <b>Yes</b> option to choose this test, or the <b>No</b> option to not choose it.</p>
		Data Path Test		Yes No*	<p>This test helps to identify data path and corruption problems on an HP postscript level 3 emulation printer. It sends a predefined PS file to the printer. However, the test is paperless; the file will not print.</p> <p>Select the <b>Yes</b> option to choose this test, or the <b>No</b> option to not choose it.</p>
		Select All Tests		Yes No*	<p>Use this item to select all available embedded tests.</p> <p>Select the <b>Yes</b> option to choose all tests. Select the <b>No</b> option to select individual tests.</p>

**Table 2-49 Embedded Jetdirect Menu (continued)**

First level	Second level	Third level	Fourth level	Values	Description
		Execution Time [H]		Range: 1 – 24 hours Default = 1 hour	Specify the length of time (in hours) that an embedded test will be run. If you select zero (0), the test runs indefinitely until an error occurs or the printer is turned off.  Data gathered from the HTTP, SNMP, and Data Path tests is printed after the tests have completed.
		Execute		No* Yes	No: Do not initiate the selected tests.  Yes: Initiate the selected tests.
	Ping Test	Dest Type		IPv4 IPv6	This test is used to check network communications. This test sends link-level packets to a remote network host, then waits for an appropriate response. To run a ping test, set the following items:  Dest Type  Specify whether the target printer is an IPv4 or IPv6 node.
		Dest IPv4		Range: 0 – 255 Default = <b>127.0.0.1</b>	Enter the IPv4 address.
		Dest IPv6		Select from a provided list. Default = ::1	Enter the IPv6 address.
		Packet Size		Default = <b>64</b>	Specify the size of each packet, in bytes, to be sent to the remote host. The minimum is 64 (default) and the maximum is 2048.
		Timeout		Default = <b>001</b>	Specify the length of time, in seconds, to wait for a response from the remote host. The maximum is 100.

**Table 2-49 Embedded Jetdirect Menu (continued)**

First level	Second level	Third level	Fourth level	Values	Description
		Count		Default = <b>004</b>	Specify the number of ping test packets to send for this test. Select a value from 0 to 100. To configure the test to run continuously, select 0.
		Print Results		Yes No*	
		Execute		Yes No*	No: Do not initiate the selected tests. Yes: Initiate the selected tests.
	Ping Results	Packets Sent		Default = <b>00000</b>	Shows the number of packets (0 - 65535) sent to the remote host since the most recent test was initiated or completed..
		Packets Received		Default = <b>00000</b>	Shows the number of packets (0 - 65535) received from the remote host since the most recent test was initiated or completed. The default is 0.
		Percent Lost		Default = <b>000</b>	Shows the percent (0 to 100) of ping test packets that were sent with no response from the remote host since the most recent test was initiated or completed.
		RTT Min		Default = <b>0000</b>	Shows the minimum detected roundtrip-time (RTT), from 0 to 4096 milliseconds, for packet transmission and response.
		RTT Max		Default = <b>0000</b>	Shows the maximum detected roundtrip-time (RTT), from 0 to 4096 milliseconds, for packet transmission and response.
		RTT Average		Default = <b>0000</b>	Shows the average round-trip-time (RTT), from 0 to 4096 milliseconds, for packet transmission and response.

**Table 2-49 Embedded Jetdirect Menu (continued)**

First level	Second level	Third level	Fourth level	Values	Description
		Ping In Progress		Yes No*	Shows whether a ping test is in progress. <b>Yes</b> Indicates a test in progress. <b>No</b> Indicates that a test completed or was not run.
		Refresh		Yes No*	When viewing the ping test results, this item upgrades the ping test data with current results. Select the <b>Yes</b> option to upgrade the data, or the <b>No</b> option to maintain the existing data. However, a refresh automatically occurs when the menu times out or you manually return to the main menu.
Link Speed				Auto*	<p>The link speed and communication mode of the print server must match the network. The available settings depend on the printer and installed print server. Select one of the following link configuration settings:</p> <p><b>CAUTION:</b> If you change the link setting, network communications with the print server and network product might be lost.</p> <p>The print server uses auto-negotiation to configure itself with the highest link speed and communication mode allowed. If auto-negotiation fails, either the <b>100TX Half</b> feature or the <b>10T Half</b> feature is set depending on the detected link speed of the hub/switch port. (A 1000T half-duplex selection is not supported.)</p>

**Table 2-49 Embedded Jetdirect Menu (continued)**

First level	Second level	Third level	Fourth level	Values	Description
				10T Half	10 Mbps, half-duplex operation.
				10T Full	10 Mbps, full-duplex operation.
				10T Auto	100 Mbps, half-duplex operation.
				100TX Half	100 Mbps, full-duplex operation.
				100TX Full	Limits auto-negotiation to a maximum link speed of 100 Mbps.
				100TX Auto	1000 Mbps, full-duplex operation.

## Troubleshooting menu

**To display:** At the product control panel, select the **Administration** menu, and then select the **Troubleshooting** menu.

In the following table, asterisks (\*) indicate the factory default setting.



**NOTE:** For the M605x and M606x models, use the **Save** button to save a selected option.

For all other models, use the up arrow ▲ button or down arrow ▼ button to highlight an option, and then press the **OK button** to save the selected option.

**Table 2-50 Troubleshooting menu**

First level	Second level	Third level	Fourth level	Values	Description
Event Log				Print	Use to print a list of the 1,000 most recent events in the Event Log. For each event, the printed log shows the error number, page count, error code, and description or personality.
Paper Path Page				Print	Shows information about pages that have been printed.
Fax	Fax T.30 Trace	Print T.30 Report		Print	Use to print or configure the fax T.30 trace report. T.30 is the standard that specifies handshaking, protocols, and error correction between fax machines.
Fax models only					
		When to Print Report		Never automatically print* Print after every fax Print only after fax send jobs Print after any fax error Print only after fax send errors Print only after fax receive errors	Configure the T.30 report to print after certain events. You can choose to print the report after every fax job, every fax job sent, every fax job received, every send error, or every receive error.
	Fax V.34			Normal* Off	Use to disable V.34 modulations if several fax failures have occurred or if phone line conditions require it.

**Table 2-50 Troubleshooting menu (continued)**

First level	Second level	Third level	Fourth level	Values	Description
	Fax Speaker Mode			Normal* Diagnostic	Used by a technician to evaluate and diagnose fax issues by listening to the sounds of fax modulations.
	Fax Log Entries			On Off*	The standard fax log includes basic information such as the time and whether the fax was successful. The detailed fax log shows the intermediate results of the redial process not shown in the standard fax log.
Print Quality Pages	Print PQ Troubleshooting pages			Print	Use to print pages that help you resolve problems with print quality.
	Print Fuser Test Page			Print	
Diagnostic Tests	Disable Cartridge Check				Disables the toner cartridge.
	Paper Path Sensors			Select from a list of the product sensors.	Initiates a test of the paper path sensors.
	Paper Path Test	Print Test Page			
		Source Tray		Select from a list of the available trays.	Generates a test page for testing paper handling features. You can define the path that is used for the test in order to test specific paper paths.
		Test Duplex Path		Off* On	
		Number of Copies		Range: 1–500 Default = 1	Sets the default number of copies for a copy job. This default applies when the Copy or Quick Copy function is initiated from the product Home screen. The factory default setting is 1.



**Table 2-50 Troubleshooting menu (continued)**

First level	Second level	Third level	Fourth level	Values	Description
	Manual Sensor Test			Select from a list of available components.  <a href="#">Reset Sensors</a>	Test the product sensors and switches for correct operation. Each sensor is displayed on the control-panel screen, along with its status. Manually trip each sensor and watch for it to change on the screen. Press the <a href="#">Stop</a> button to abort the test.
	Tray/Bin Manual Sensor Test			Select from a list of available components.  <a href="#">Reset Sensors</a>	Test the sensors in the trays and bins for correct operation. Each sensor is displayed on the control-panel screen, along with its status. Manually trip each sensor and watch for it to change on the screen. Press the <a href="#">Stop</a> button to abort the test.
	Component Test			Select from a list of available components.	Use to exercise individual parts independently to isolate noise, leaking, or other issues. To start the test, select one of the components. The test will run the number of times specified by the <a href="#">Repeat</a> option. You might be prompted to remove parts from the product during the test. Press the <a href="#">Stop</a> button to abort the test.
Retrieve Diagnostic Data				<a href="#">Create device data file</a>  <a href="#">Create zipped debug information file</a>  <a href="#">Include crash dump files</a>  <a href="#">Clean up debug information</a>  <a href="#">Send to E-mail</a>  <a href="#">Export to USB</a>	Create files that contain information about the product that can help identify the cause of problems.
Generate Debug Data				<a href="#">Start</a>	

## Device Maintenance menu

### Backup/Restore menu

**To display:** At the product control panel, select the [Device Maintenance](#) menu, and then select the [Backup/Restore](#) menu.

In the following table, asterisks (\*) indicate the factory default setting.



**NOTE:** For the M605x and M606x models, use the [Save](#) button to save a selected option.

For all other models, use the up arrow ▲ button or down arrow ▼ button to highlight an option, and then press the [OK](#) button to save the selected option.

**Table 2-51 Backup/Restore menu**

First level	Second level	Third level	Values	Description
Backup Data	Enable Scheduled Backups	Backup Time	Enter a time	
		Days Between Backups	Enter the number of days	
	Backup Now			
	Export Last Backup			
Restore Data			Insert a USB drive that contains the backup file.	

### Calibration/Cleaning menu

**To display:** At the product control panel, select the [Device Maintenance](#) menu, and then select the [Calibration/Cleaning](#) menu.

In the following table, asterisks (\*) indicate the factory default setting.



**NOTE:** For the M605x and M606x models, use the [Save](#) button to save a selected option.

For all other models, use the up arrow ▲ button or down arrow ▼ button to highlight an option, and then press the [OK](#) button to save the selected option.

First level	Second level	Third level	Values	Description
Calibration/Cleaning	Cleaning Settings	Auto Cleaning	Off* On	Use to select the <a href="#">Auto Cleaning</a> menu or the <a href="#">Cleaning Interval</a> menu.
		Cleaning Interval	Select from a list of cleaning intervals.	Use to set the interval when the cleaning page should be printed. The interval is measured by the number of pages printed.
		Cleaning Size	Select from a list of support sizes.	Select the paper size to use for the cleaning page.

First level	Second level	Third level	Values	Description
	Cleaning Page		Print	Use to process the cleaning page that was created by using the <a href="#">Cleaning Page</a> menu. The process takes up to 1.5 minutes.
	Clean Rollers		Reset Cancel	<a href="#">Clean Rollers</a> screen is view only. There are two options: the <a href="#">Reset</a> option to reset the page count, or the <a href="#">Cancel</a> option to go back to the previous screen.
	USB Firmware Upgrade			Follow the on screen prompts to upgrade the firmware using a USB portable storage device.
	HP FutureSmart Level		Change Cancel	Use this item to change the HP FutureSmart version.  <b>CAUTION:</b> Each FutureSmart level includes changes to existing functionality and a set of new features.

## USB Firmware Upgrade menu

**To display:** At the product control panel, select the [Device Maintenance](#) menu, and then select the [USB Firmware Upgrade](#) menu.

Insert a USB storage device with a firmware upgrade bundle into the USB port, and follow the on-screen instructions.

## Service menu

**To display:** At the product control panel, select the [Device Maintenance](#) menu, and then select the [Service](#) menu.

The [Service](#) menu is locked and requires a PIN for access. This menu is intended for use by authorized service personnel. See the Service mode function section in the product troubleshooting manual.

# Control panel message document (CPMD)

## Control-panel message types

The control-panel messages and event code entries indicate the current product status or situations that might require action.



**NOTE:** Event log errors do not appear on the control-panel display. Open the event log to view or print the event log errors.

A control-panel message displays temporarily and might require the user to acknowledge the message by touching the **OK** button to resume printing or by touching the **Stop** button to cancel the job. With certain messages, the job might not finish printing or the print quality might be affected. If the message is related to printing and the auto-continue feature is on, the product will attempt to resume printing after the message has appeared for 10 seconds without acknowledgement.

For some messages, restarting the product might fix the problem. If a critical error persists, the product might require service.

## Control-panel messages and event log entries



**NOTE:** Some of the messages in the following sections only appear in the event log.



**TIP:** Some control-panel messages and event log entries refer to a specific product sensor or switch in the recommended action to solve the problem. See the diagrams in the clear jams section of the product troubleshooting manual for sensor and switch locations.

## 10.XX.YZ Error Messages

### 10.00.00 e-Label Memory Error

#### Description

The printer is unable to read the cartridge data.

This message indicates that the printer cannot read or write to the e-label of the toner cartridge.

This error can cause the supplies status feature to be disabled.

#### Recommended action

1. Remove, and then reinstall the indicated print cartridge.
2. If the error reappears, turn the power off, and then on.
3. Check the cartridge memory tag. If it is damaged, replace the cartridge.
4. If the error persists, replace the indicated print cartridge.

### 10.00.10 e-Label Missing Memory Error

#### Description

The printer is unable to detect the e-label.

This message indicates that the printer has determined that the e-label is missing.

This error can cause the supplies status feature to be disabled.

**Recommended action**

1. Remove and the reinstall the indicated print cartridge.
2. If the message displays again, turn the printer off then on.
3. Check the cartridge memory tag. If it is damaged, replace the cartridge.
4. If the error persists, replace the indicated print cartridge.

**10.00.15 Install <supply>****Description**

The indicated supply has been removed or installed incorrectly.

**10.00.15** (event code) Black Toner cartridge

**Recommended action**

Replace or install the indicated supply.

See the parts chapter in the service manual for the correct supply or kit part number.

**10.00.33 Used Supply In Use****Description**

A used supply is in use (end of life).

**10.00.33** (event code) Black toner cartridge

**Recommended action**

No action necessary.

If you believe this is a genuine HP supply, go to [www.hp.com/go/anticounterfeit](http://www.hp.com/go/anticounterfeit).

Using a cartridge that is near its end-of-life can cause this event code.

**10.00.34 Used supply in use****Description**

The print cartridge is used.

**10.00.34** (event code) Black toner cartridge

**Recommended action**

If you believe this is a genuine HP supply, go to [www.hp.com/go/anticounterfeit](http://www.hp.com/go/anticounterfeit).



---

**NOTE:** Removing a cartridge from one printer and then installing it in a different printer (for testing functionality) will cause this event code.

---

**10.00.35 Incompatible supply in use****Description**

An incompatible supply is in use.

**10.00.35** (event code) Black toner cartridge

**Recommended action**

Install the correct HP print cartridge for this printer.



---

**NOTE:** The toner cartridge is not compatible with the printer

---

**10.00.40 Genuine HP supplies installed**

**Description**

A genuine HP print cartridge has been installed.

**10.00.40** (event code) Black toner cartridge

**Recommended action**

No action necessary.

**10.00.41 Unsupported Supply in Use**

**Description**

The installed toner cartridge is for a different printer.

**10.00.41** (event code) Black toner cartridge

**Recommended action**

Remove the toner cartridge, and then install the correct cartridge for this printer.

See the parts chapter in the service manual for the correct cartridge part number.

**10.00.60 Black cartridge low**

**Description**

The black cartridge is low.

**Recommended action**

If print quality is no longer acceptable, replace the print cartridge.



---

**TIP:** Advise the customer that HP recommends that they have replacement supplies available to install when the print quality is no longer acceptable.

---

**10.00.69 Black cartridge very low**

**Description**

The black cartridge is very low.

**Recommended action**

If print quality is no longer acceptable, replace the print cartridge.



---

**TIP:** Advise the customer that HP recommends that they have replacement supplies available to install when the print quality is no longer acceptable.

---

### 10.00.70 Printing past very low

#### Description

The printer indicates when a supply level is very low. The actual remaining toner cartridge life might vary.

You do not need to replace the toner cartridge at this time unless print quality is no longer acceptable. After an HP supply has reached the very low threshold, the HP premium protection warranty ends.

**10.00.70** (event code) Black toner cartridge

#### Recommended action

If print quality is no longer acceptable, replace the toner cartridge.

See the parts chapter in the service manual for the correct cartridge part number. Advise the customer that HP recommends that they have replacement supplies available to install when the print quality is no longer acceptable.

### 10.00.91 Cartridge motor stall

#### Description

Cartridge motor stall.

#### Recommended action

Replace the print cartridge.

### 10.23.15 Install <supply>

#### Description

The indicated supply has been removed or installed incorrectly.

**10.23.15** (event code) Fuser kit

#### Recommended action

Replace or install the indicated supply.

See the parts chapter in the service manual for the correct supply or kit part number.

### 10.23.35 Incompatible <supply>


#### Description

The indicated supply is not compatible with this printer.

**10.23.35** (event code) Fuser kit

#### Recommended action

---

 **CAUTION:** The fuser might be hot. Be careful when removing the fuser.


---

Install a supply that is designed for this printer.

See the parts chapter in the service manual for the correct supply part number.



---

 **TIP:** Advise the customer that HP recommends that they have replacement supplies available to install when the print quality is no longer acceptable.

---

#### 10.23.50

##### **Description**

The fuser kit life was reset above the order threshold.

##### **Recommended action**

No action necessary.

#### 10.23.51

##### **Description**

The fuser kit life was reset above the replace threshold.

##### **Recommended action**

No action necessary.

#### 10.23.52

##### **Description**

The fuser kit life was reset above the reset threshold.

##### **Recommended action**

No action necessary.


#### 10.23.60

##### **Description**

The printer indicates when fuser kit is very low. The actual remaining fuse kit life might vary.

You do not need to replace the fuser kit at this time unless print quality is no longer acceptable.

---


 **NOTE:** After an HP supply has reached the very low threshold, the HP premium protection warranty ends.

---

##### **Recommended action**

If print quality is no longer acceptable, replace the fuser kit. See the parts chapter in the service manual for the fuser kit part number.

---

 **TIP:** Advise the customer that HP recommends that they have replacement supplies available to install when the print quality is no longer acceptable.

---

#### 10.23.70 printing past very low

##### **Description**

The printer indicates when the fuser kit is very low. The actual remaining fuse kit life might vary.

**10.23.70** (event code) Fuser kit

### Recommended action

If print quality is no longer acceptable, replace the fuser kit. See the parts chapter in the service manual for the fuser kit part number.



**TIP:** Advise the customer that HP recommends that they have replacement supplies available to install when the print quality is no longer acceptable.



**NOTE:** After an HP supply has reached the very low threshold, the HP premium protection warranty ends.

## 10.26.15

### Description

The printer indicates when the maintenance might need to be replaced.

### Recommended action

If print quality is no longer acceptable, replace the maintenance kit. See the parts chapter in the service manual for the maintenance kit part number.



**TIP:** Advise the customer that HP recommends that they have replacement supplies available to install when the print quality is no longer acceptable.

## 10.26.50

### Description

The maintenance kit was reset.

### Recommended action

No action required.

## 10.26.60

### Description

The printer indicates when the maintenance kit is very low. The actual remaining maintenance kit life might vary.

You do not need to replace the maintenance kit at this time unless print quality is no longer acceptable.



**NOTE:** After an HP supply has reached the very low threshold, the HP premium protection warranty ends.

### Recommended action

If print quality is no longer acceptable, replace the maintenance kit. See the parts chapter in the service manual for the maintenance kit part number.



**TIP:** Advise the customer that HP recommends that they have replacement supplies available to install when the print quality is no longer acceptable.

## 11.XX.YZ Error Messages

### 11.00.01 or 11.00.02 Internal clock error

#### Description

The printer real time clock has experienced an error.

01=dead clock

02=dead real time clock

#### Recommended action

1. Whenever the printer is turned off and then turned on again, set the time and date on the control panel.
2. If the error persists, remove and reinstall the formatter making sure it is seated properly.
3. Replace the formatter.

## 13.XX.YZ Error Messages

### 13.00.00

#### Description

Generic jam event code.

#### Recommended action

Check the printer for a jam. See the clear jams section in the service manual.

### 13.00.EE

#### Description

Unknown door open.

#### Recommended action

Make sure that all of the doors and covers are closed.

### 13.A2.D2

#### Description

Tray 2 media feed jam.

This jam occurs when the media does not reach the Tray 2 pre-feed sensor (PS102) in the designated amount of time after the start of media pickup from Tray 2.

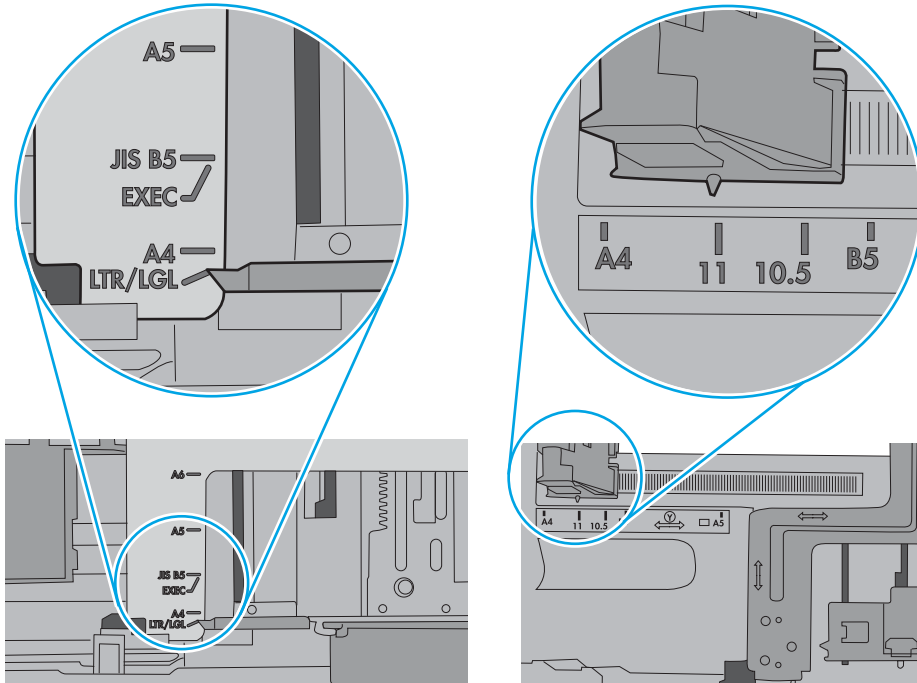
This is a no-pick jam from tray 2.

#### Recommended action

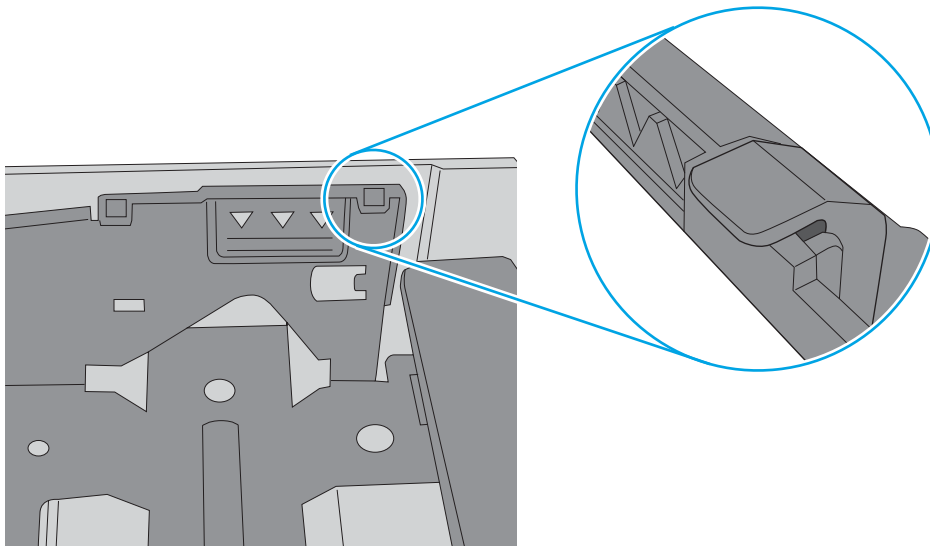
1. Open Tray 2, remove any jammed paper, and then close the tray.
2. Open and close the upper TOP cover to allow the printer to attempt to clear the jam.

3. Remove the paper from the tray and check that the paper tray size guides are properly set and that the tray is not over filled with paper.

**Figure 2-90** Paper Tray guides



**Figure 2-91** Paper Tray overflow guide



4. Make sure that the Tray 2 pickup, feed, and separation roller are installed correctly and show no damage or wear.
5. Clean or replace the pickup/feed rollers as needed.
6. Verify that the media in use meets the printers specifications.
7. Open the following menus:

- **Administration**
  - **Troubleshooting**
  - **Diagnostic Tests**
8. Run the Tray 2 pickup/feed motor drive test to verify that the feed motor is functioning correctly. If it is not, replace the pickup assembly.
  9. Test PS102 using the Tray/Bin Manual sensor test to verify that the sensor is functioning correctly.
  10. If the error persists, replace the paper pickup assembly.
  11. If PS102 is defective elevate the issue to HP for possible printer replacement.

### 13.A2.Dx

#### Description

Optional Tray media feed jam.

This jam occurs when the media does not reach the Tray pre-feed sensor (PS1603 for trays 3–5) (PS1704 for tray 6) in the designated amount of time after the start of media pickup from Tray.

This is a no-pick jam from the specified tray.

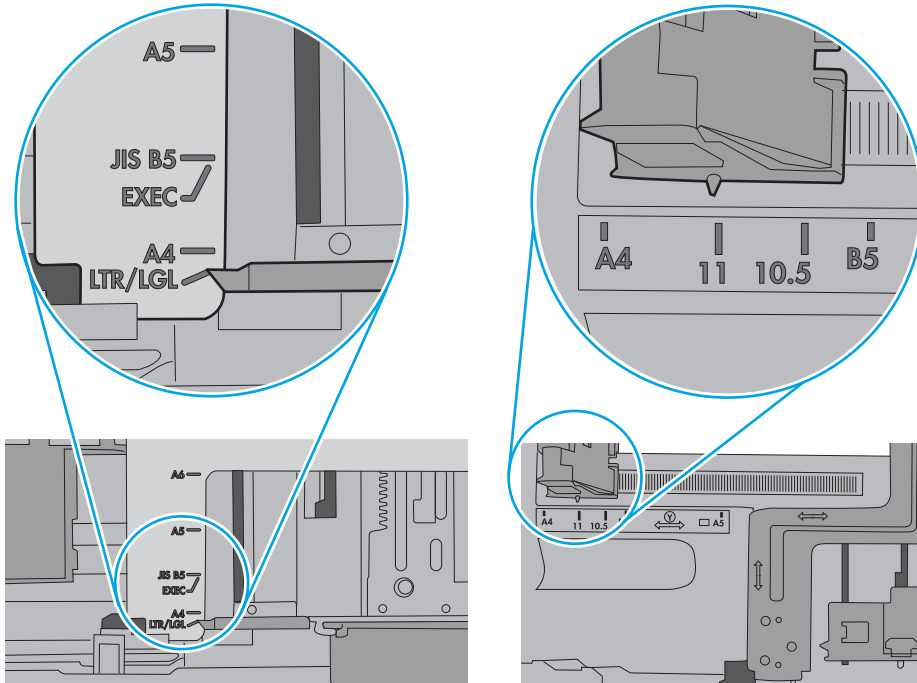
- **13.A2.D3**  
Multi-Feed jam is detected when printing from Tray 3.
- **13.A2.D4**  
Multi-Feed jam is detected when printing from Tray 4.
- **13.A2.D5**  
Multi-Feed jam is detected when printing from Tray 5.
- **13.A2.D6**  
Multi-Feed jam is detected when printing from Tray 6.

#### Recommended action

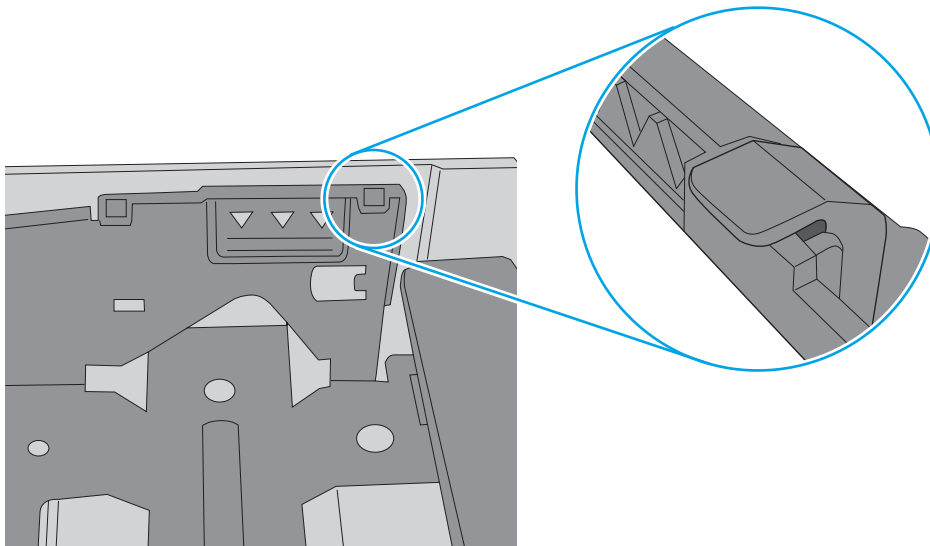
1. Open the Tray, remove any jammed paper, and then close the tray.
2. Open and close the upper TOP cover to allow the printer to attempt to clear the jam.

3. Remove the paper from the tray and check that the paper tray size guides are properly set and that the tray is not over filled with paper.

**Figure 2-92** Paper Tray guides



**Figure 2-93** Paper Tray overflow guide



4. Make sure that the Tray pickup, feed, and separation roller are installed correctly and show no damage or wear.
5. Clean or replace the pickup/feed rollers as needed.
6. Verify that the media in use meets the printers specifications.
7. Open the following menus:

- **Administration**
  - **Troubleshooting**
  - **Diagnostic Tests**
8. Run the Tray pickup/feed motor drive test to verify that the feed motor is functioning correctly. If it is not, replace the pickup assembly.
  9. Test PS1603 or PS1704 using the Tray/Bin Manual sensor test to verify that the sensor is functioning correctly.
  10. If the error persists, replace the paper pickup assembly.
  11. If PS1603 or PS1704 is defective, replace the appropriate paper input unit that houses the sensor.

### 13.A2.FF

#### **Description**

Residual Media Jam in Tray 2.

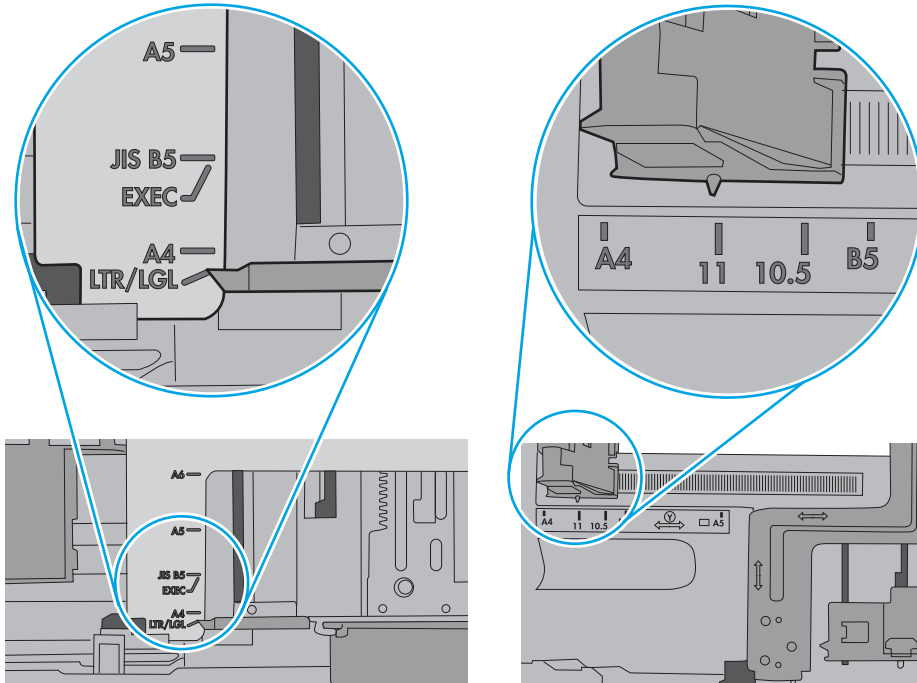
This jam occurs when residual media is detected at the Tray 2 feed sensor (PS102).

#### **Recommended action**

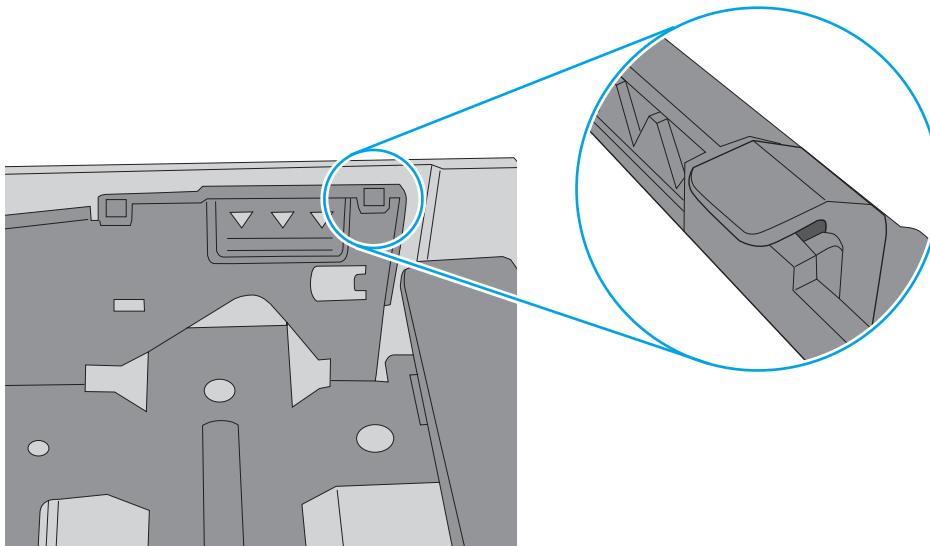
1. Open Tray 2, remove any jammed paper, and then close the tray.
2. Open and close the upper right door to allow the printer to attempt to clear the jam.

3. Remove the paper from the tray and check that the paper tray size guides are properly set and that the tray is not over filled with paper.

**Figure 2-94** Paper Tray guides



**Figure 2-95** Paper Tray overflow guide



4. Make sure that the Tray 2 pickup, feed, and separation roller are installed correctly and show no damage or wear.
5. Clean or replace the pickup/feed rollers as needed.
6. Check the connectors at the sensor, feed motor, and the DC controller PCA.
7. Open the following menus:



- **Administration**
  - **Troubleshooting**
  - **Diagnostic Tests**
8. Test PS102 using the Tray/Bin Manual sensor test to verify that the sensors are functioning correctly.
  9. Run the Tray 2 pickup/feed motor drive test to verify that the feed motor is functioning correctly (listen for the motor to activate). If it is not, replace the pickup assembly.
  10. If the error persists, replace the paper pickup assembly.

### 13.A3.FF

#### **Description**

Residual Media Jam in Tray 3.

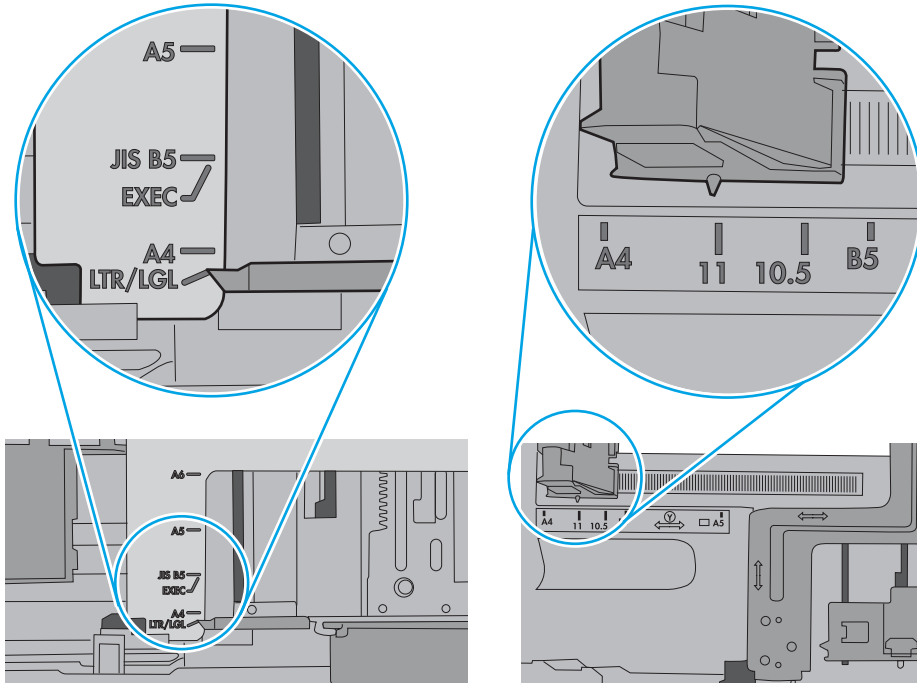
This jam occurs when residual media is detected at the Tray 3 feed sensor (PS102).

#### **Recommended action**

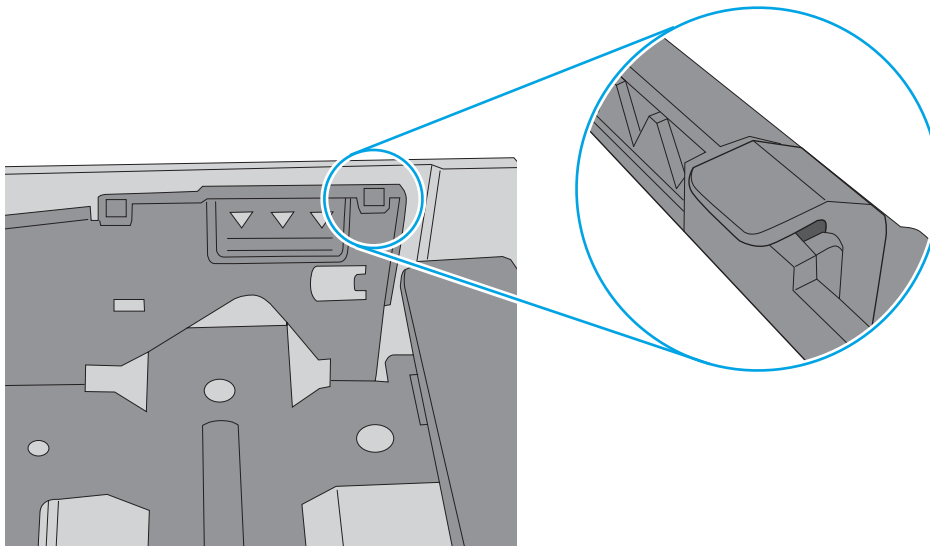
1. Open Tray 3, remove any jammed paper, and then close the tray.
2. Open and close the upper right door to allow the printer to attempt to clear the jam.

3. Remove the paper from the tray and check that the paper tray size guides are properly set and that the tray is not over filled with paper.

**Figure 2-96** Paper Tray guides



**Figure 2-97** Paper Tray overflow guide



4. Make sure that the Tray 3 pickup, feed, and separation roller are installed correctly and show no damage or wear.
5. Clean or replace the pickup/feed rollers as needed.
6. Check the connectors at the sensor, feed motor, and the DC controller PCA.
7. Open the following menus:

- **Administration**
  - **Troubleshooting**
  - **Diagnostic Tests**
8. Test PS102 using the Tray/Bin Manual sensor test to verify that the sensors are functioning correctly.
  9. Run the Tray 3 pickup/feed motor drive test to verify that the feed motor is functioning correctly (listen for the motor to activate). If it is not, replace the pickup assembly.
  10. If the error persists, replace the paper pickup assembly.

### 13.B2.Az Jam in top cover

#### Description

Media STAY jam in top cover at image area.

Paper present at PS103 after specified time limit passed

- **13.B2.A1**  
This jam occurs when the media is present longer than "the expected media length plus 50mm" or more is detected at the Registration sensor (PS103) when printing from the Tray 1.
- **13.B2.A2**  
This jam occurs when the media is present longer than" the expected media length plus 50mm" or more is detected at the Registration sensor (PS103) when printing from the Tray 2.
- **13.B2.A3**  
This jam occurs when the media is present longer than "the expected media length plus 50mm" or more is detected at the Registration sensor (PS103) when printing from the Tray 3.
- **13.B2.A4**  
This jam occurs when the media is present longer than "the expected media length plus 50mm" or more is detected at the Registration sensor PS103) when printing from the Tray 4.
- **13.B2.AD**  
This jam occurs when the media is present longer than "the expected media length plus 50mm" or more is detected at the Registration sensor (PS103) when printing from the Duplexer.

#### Recommended action

1. Open top cover and check for media jammed in feed area.
2. Test the top of page sensor (PS103) to ensure that it moves freely.
3. Check under toner cartridge at transfer area, make sure everything is properly seated and there are no damaged parts.
4. Ensure the type and quality of the media that you are using meet HP specifications.
5. Open the following menus:

- **Administration**
  - **Troubleshooting**
  - **Diagnostic Tests**
6. Test Registration Sensor Test (TOP sensor) (PS103) using the Tray/Bin manual sensor test to verify that the sensor is functioning correctly.
  7. Test the Media Width sensors PS106 and PS108 if defective replace.
  8. If sensor functioning properly, run a few pages to check where the leading edge of the paper actually stops.
  9. If any test shows defective part replace the appropriate assembly.

### 13.B2.Dz Jam in top cover

#### Description

Media delay jam in top cover at image area.

Paper did not reach PS103 in specified time.

- **13.B2.D1**  
Media did not reach the Registration sensor in the designated amount of time printing from Tray 1.
- **13.B2.D2**  
Media did not reach the Registration sensor in the designated amount of time printing from Tray 2.
- **13.B2.D3**  
Media did not reach the Registration sensor in the designated amount of time printing from Tray 3.
- **13.B2.D4**  
Media did not reach the Registration sensor in the designated amount of time printing from Tray 4.
- **13.B2.DD**  
Media did not reach the Registration sensor in the designated amount of time printing duplexed.

#### Recommended action

1. Open top cover and check for media jammed in feed area.
2. Check for worn out Tray Feed and Separation rollers, replace if found worn out.
3. Test the top of page sensor (PS103).
4. Check registration assembly.
5. Replace parts as determined by tests.

### 13.B2.E2 Jam in top cover

#### Description

Media jam in top cover at image area due to door open.

**Recommended action**

1. Make sure all doors and covers are closed and re-send job.
2. If all doors are closed and message still persists, Test SW101 Door open detection switch using the diagnostic tests.

If test fails replace the switch.

**13.B2.FF Jam in top cover****Description**

Media residual jam in top cover at image area.

Paper present at PS103 at power on or after clearing jam.

**Recommended action**

1. Open top cover and check for media jammed in feed area.
2. Check under toner cartridge at transfer area, make sure everything is properly seated.
3. Test the top of page sensor (PS103).

**13.B9.Az Fuser jam****Description**

Fuser delivery stay.

Media stay jam at fuser area.

Paper present at PS700 after specified time limit.


This jam code may be caused by;

An accordion jam at the fuser exit, something blocking the media before the output rollers. The output bin rollers not turning, there is very little distance from the fuser exit and the output bin.

A sticky fuser exit flag, if it stuck or even delayed momentarily in the activated position.

- **13.B9.A1**  
Multi-Feed jam is detected when printing from Tray 1.
- **13.B9.A2**  
Multi-Feed jam is detected when printing from Tray 2.
- **13.B9.A3**  
Multi-Feed jam is detected when printing from Tray 3.
- **13.B9.A4**  
Multi-Feed jam is detected when printing from Tray 4.
- **13.B9.AD**  
Multi-Feed jam is detected when printing from the Duplexer.

### Recommended action

 **CAUTION:** Be careful the fuser is HOT, allow it cool if you need to remove debris from in and around the pressure heating components.

1. Open the top and rear covers and then clear any jammed paper.
2. Ensure sure that the paper meets HP printer specifications.
3. Check Fuser delivery sensor for proper functionality and movement.
4. verify there is no debris from a previous jam stuck in the fuser or rollers leading into or out of the fuser.
5. Confirm the output bin rollers are turning.
6. Perform Manuel Sensor Test and check PS 700 Fuser delivery sensor. If found faulty then replace the Fuser assembly.
7. Perform Manuel Sensor Test and Replace the fuser assembly.

### 13.B9.Bz Fuser jam

#### Description

Multi-feed jam in fuser.

This jam occurs when a near complete overlap (less than 5 to 15 mm of non-overlap) multi-feed jam is detected.

- **13.B9.B1**  
Multi-Feed jam is detected when printing from Tray 1.
- **13.B9.B2**  
Multi-Feed jam is detected when printing from Tray 2.
- **13.B9.B3**  
Multi-Feed jam is detected when printing from Tray 3.
- **13.B9.B4**  
Multi-Feed jam is detected when printing from Tray 4.
- **13.B9.BD**  
Multi-Feed jam is detected when printing from the Duplexer.

#### Recommended action

1. Open the top and rear covers and then clear any jammed paper.
2. Ensure sure that the paper meets HP printer specifications.
3. Check Fuser delivery sensor for proper functionality and movement.
4. verify there is no debris from a previous jam stuck in the fuser or rollers leading into or out of the fuser.
5. Confirm the output bin rollers are turning.

6. Perform Manuel Sensor Test and check PS 700 Fuser delivery sensor. If found faulty then replace the Fuser assembly.
7. Perform Manuel Sensor Test and Replace the fuser assembly.

### 13.B9.Cz

#### Description

Fuser Wrap Jam.

This jam occurs when the media disappears from the fuser output sensor before a designated amount of time after the media reached the fuser output sensor (PS700).

(The printer has determined that the media is being wrapped around the fuser roller.)

Z = Fuser mode

- **13.B9.C1 (event code)**  
Fuser wrap jam when **Auto Sense (Normal)**.
- **13.B9.C2 (event code)**  
Fuser wrap jam when **Normal**.
- **13.B9.C3 (event code)**  
Fuser wrap jam when **Light 1** or **Light 2** (see event log secondary jam information for specific code).
- **13.B9.C4 (event code)**  
Fuser wrap jam when **Heavy 1**.
- **13.B9.C5 (event code)**  
Fuser wrap jam when **Heavy 2**.
- **13.B9.C6 (event code)**  
Fuser wrap jam when **Heavy media 3**.
- **13.B9.C7 (event code)**  
Fuser wrap jam when **Glossy media 1**.
- **13.B9.C8 (event code)**  
Fuser wrap jam when **Glossy media 2**.
- **13.B9.C9 (event code)**  
Fuser wrap jam when **Glossy media 3**.
- **13.B9.CB (event code)**  
Fuser wrap jam when **Transparency**.
- **13.B9.CC (event code)**

Fuser wrap jam when **Label**.

- **13.B9.CD (event code)**

Fuser wrap jam when **Envelope 1** or **Envelope 2** (see event log secondary jam information for specific code).

**Recommended action**

1. Open the top and rear covers and then clear any jammed paper.
2. Ensure sure that the paper meets HP printer specifications.

If the customer media is within specifications, but curls up on the output bin, you can recommend:

- Open input tray and rotate new media so the top page is now the bottom page.
  - Explain that the media curls and it is better if it curls down than up for printing to avoid fuser wrap jams.
3. Check to see if the paper jam is found wrapped around the fuser roller. If so and the media is within HP specifications for this printer replace the Fuser Assembly.

### 13.B9.Dz

**Description**

Fuser delivery delay jam

Media did not reach Fuser sensor PS700 specified time.

- **13.B9.D1**

Fuser delivery delay jam when printing from Tray 1.

- **13.B9.D2**

Fuser delivery delay jam when printing from Tray 2.

- **13.B9.D3**

Fuser delivery delay jam when printing from Tray 3.

- **13.B9.D4**

Fuser delivery delay jam when printing from Tray 4.

- **13.B9.DD**

Fuser delivery delay jam when printing with the Duplexer.

**Recommended action**

The following are possible causes and areas that should be investigated.

- The paper jam is found wrapped around the fuser roller. In this case it is a sign of a worn out fuser.
- The paper jam is found underneath the toner cartridge or in the transfer area. In this case it could be the drum drive or the white collar that holds the toner cartridge in position has broken.
- Fuser drive or delivery issue.



1. Determine where the Jam is located.
2. Open top cover and check under the toner cartridge.
3. Open rear output bin and check for media or obstructions.

**Media stopped in the Toner/transfer area (Stopped BEFORE the Fuser):**

1. Open top cover and check under toner cartridge for media or obstructions.
2. Ensure the Toner Cartridge and Transfer Roller are seated properly.
3. Check the toner cartridge guides and the transfer roller assembly, If either are damaged replace the part.
4. Inspect the white plastic collar that cradles the drum cartridge that is positioned around the drum drive gear. If the collar portion is broken and missing a section it will allow the cartridge to insert further than designed and not allow the drum drive to engage with the toner cartridge. Replace the drum drive assembly.
5. If collar is not broken, Test the drum drive motor M102 using the diagnostic test. If test fails replace the Drum Motor and Drum Drive Assembly.



---

**NOTE:** On-site technician should remove the drum drive motor (M102) and the Drum Drive Assembly and inspect the drive gears for damage. If not damaged, perform a control panel test of the drum drive Motor to help determine if the problem is the motor or the drive gears.

---

**Media Stopped In or At the Fuser**

---

**CAUTION:** The fuser might be **HOT**.

---

1. Remove the Fuser and inspect Fuser sleeve, Pressure roller and delivery roller for blockage and/or damage. Replace Fuser as needed.
2. Verify that fuser inlet guide is not detached or broken
3. Open the following menus:
  - **Administration**
  - **Troubleshooting**
  - **Diagnostic Tests**
4. Check the media path sensors in in the sensor test. (PS700) verify the sensor is functioning correctly. If it is not, replace the fuser.
5. Touch **Component Test**.
6. Run the Fuser motor drive test to verify that the Fuser Drive and Gears are functioning correctly. If they are not, replace the Fuser Motor Assembly.

**If media Did not Stop "IN FUSER" or at "Toner/Transfer Area.**

1. Check Media path between transfer and fuser. This includes the feed-guide assembly and the Feed-guide belts.
2. Inspect the small belts in the paper path between the Transfer Roller and the fuser for damage or movement issues. Replace if necessary.

3. Check if Belts are worn, dirty or damaged.
4. If media has stopped in this area and will not progress beyond feed-guide assembly CLEAN, Repair or Replace the feed-guide assembly.

### 13.B9.FF

#### Description


Residual Media jam Fuser Output Sensor.

Paper present at PS700 after specified time limit or on power up.

#### Recommended action

1. Open the top and rear cover and clear the jam in the indicated area.
2. Close the covers to allow the printer to attempt to clear the jam.
3. Verify the media meets HP specification for the printer.
4. Remove the fuser and inspect the fuser sleeve, pressure roller, and delivery roller for blockage and/or damage. Replace the fuser as needed.

---

 **CAUTION:** The fuser might be **HOT**.

---

5. Open the following menus:
  - **Administration**
  - **Troubleshooting**
  - **Diagnostic Tests**
6. Test the Fuser Delivery sensor (PS700) using the manual sensor test to verify the sensor is functioning correctly. If it is not, replace the fuser.
7. Run the Fuser motor drive test to verify that the Fuser Drive and Gears are functioning correctly. If they are not, replace the Fuser Motor Assembly.

### 13.D3.Bz

#### Description

Multi-feed to duplex re-feed jam

- **13.D3.B1**  
The fuser is printing in fuser mode **Auto Sense** special case distinguished from "typed" Normal.
- **13.D3.B2**  
The fuser is printing in fuser mode **Normal**.
- **13.D3.B3**  
The fuser is printing in fuser mode **Light 1** or **Light 2** (see the event log secondary jam information digits for specific mode).
- **13.D3.B4**

- The fuser is printing in fuser mode **Heavy 1**.

  - **13.D3.B5**

The fuser is printing in fuser mode **Heavy 2**.

  - **13.D3.B6**

The fuser is printing in fuser mode **Heavy media 3**.

  - **13.D3.B7**

The fuser is printing in fuser mode **Glossy media 1**.

  - **13.D3.B8**

The fuser is printing in fuser mode **Glossy media 2**.

  - **13.D3.B9**

The fuser is printing in fuser mode **Glossy media 3**.

**Recommended action**

1. Make sure that customer is using HP Genuine cartridge and again test this printer with another working or new cartridge.
2. Perform the continuous test in simplex mode at least 50 pages to make sure that issue is occurring while printing duplex printing only.
3. Test duplexing from multiple trays to see if issue is TRAY specific or not.  
If jam occurs from specific tray Troubleshoot tray pick and feed issue.
4. Make sure Tray is set correctly. If Tray 1 is set to ANY size ANY Type set it to the size customer is trying to print on.
5. Remove the duplexer and clean the printer duplex path properly for any debris or dust.
6. Check and Clean the status charge eliminator properly. (Next to transfer roller).
7. Ensure all connections to duplex on the DC are properly seated.
8. If needed replace the Duplex unit and the Fusing assembly and test.

**13.D3.Dz**

**Description**

Late to duplex re-feed jam.

- **13.D3.D1**
- The fuser is printing in fuser mode **Auto Sense** special case distinguished from "typed" Normal.
- **13.D3.D2**
- The fuser is printing in fuser mode **Normal**.
- **13.D3.D3**

The fuser is printing in fuser mode **Light 1** or **Light 2** (see the event log secondary jam information digits for specific mode).

- **13.D3.D4**

The fuser is printing in fuser mode **Heavy 1**.

- **13.D3.D5**

The fuser is printing in fuser mode **Heavy 2**.

- **13.D3.D6**

The fuser is printing in fuser mode **Heavy media 3**.

- **13.D3.D7**

The fuser is printing in fuser mode **Glossy media 1**.

- **13.D3.D8**

The fuser is printing in fuser mode **Glossy media 2**.

- **13.D3.D9**

The fuser is printing in fuser mode **Glossy media 3**.

#### **Recommended action**

1. Make sure that customer is using HP Genuine cartridge and again test this printer with another working or new cartridge.
2. Perform the continuous test in simplex mode at least 50 pages to make sure that issue is occurring while printing duplex printing only.
3. Test duplexing from multiple trays to see if issue is TRAY specific or not.  
If jam occurs from specific tray Troubleshoot tray pick and feed issue.
4. Make sure Tray is set correctly. If Tray 1 is set to ANY size ANY Type set it to the size customer is trying to print on.
5. Remove the duplexer and clean the printer duplex path properly for any debris or dust.
6. Check and Clean the status charge eliminator properly. (Next to transfer roller).
7. Ensure all connections to duplex on the DC are properly seated.
8. If needed replace the Duplex unit and the Fusing assembly and test.

#### **13.E5.FF**

##### **Description**

A power on jam has occurred.

##### **Recommended action**

Check the printer for a jam. See the clear jams section in the service manual.

### 13.EA.FF

#### **Description**

A door jam has occurred.

#### **Recommended action**

Check the printer for a jam. See the clear jams section in the service manual.

Use the component test to isolate a faulty door switch or sensor.

### 13.EE.FF

#### **Description**

A door jam has occurred.

#### **Recommended action**

Check the printer for a jam. See the clear jams section in the service manual.

Use the Manual sensors test or Tray/Bin manual sensors test to isolate a faulty door switch or sensor.

### 13.FF.EE

#### **Description**

A power on jam has occurred.

#### **Recommended action**

Check the printer for a jam. See the clear jams section in the service manual.

### 13.FF.FF

#### **Description**

A power on residual paper jam has occurred.

This error has no specific sensor designated. It could be any sensor in the media feed path.

#### **Recommended action**

1. Check the printer for a jam.
2. Look for media present or obstructions in paper path.  
View event log to determine if other Jam errors are occurring and troubleshoot those errors.
3. Use the Manual sensors test or Tray/Bin manual sensors test to isolate a faulty door switch or sensor.
4. Replace parts as determined by Sensor tests or obstructions.

## 20.XX.YZ Error Messages

### 20.00.00 Insufficient memory <device>

#### **Description**

Event log message 20.00.00.

The printer does not have enough memory to print the page.

The printer received more data than can fit in the available memory. You might have tried to transfer too many macros, soft fonts, or complex graphics.

**Recommended action**

Touch the **OK** button to print the transferred data. Some data might be lost. Reduce the page complexity or add printer memory.

**21.00.00 Page Too Complex Event log error message 21.00.00.**

**Description**

The printer displays this message to indicate that the page decompression process was too slow for the printer.

**Recommended action**

Touch the **OK** button to continue. There may be some data loss on the page that was being formatted when the error occurred.

**32.XX.YX and 33.XX.YZ Error Messages**

**32.08.A1, 32.08.A2, 32.08.A3**

**Description**

**32.08.A1** (event code)

Shutdown event-boot after abnormal shutdown.

**32.08.A2** (event code)

Boot from normal shutdown event.

**32.08.A3** (event code)

Regular boot event.

**Recommended action**

No action necessary.

**32.1C.XX**

**Description**

**32.1C.05** (event code)

The restore job ticket was submitted with invalid credentials.

**32.1C.06** (event code)

The backup job ticket was submitted with invalid credentials.

**32.1C.07** (event code)

Backup restore permissions error.

There was an error during the creation, read, or write of the restore file.

**32.1C.08** (event code)

Not enough disk space to perform backup/restore or network share issue.

There was an error during the creation, read, or write of the backup file.

**32.1C.09** (event code)

Tried to restore a backup file that was not valid for this printer.

The data in the backup file specified in the restore job ticket is no longer valid due to a corruption of the data or no longer present.

**32.1C.0A** (event code)

Backup file is invalid

The data in the backup file specified in the restore job ticket is no longer valid due to a corruption of the data or no longer present.

**32.1C.0D** (event code)

Backup/restore failed, auto-reboot failed, or the printer might be busy.

**32.1C.11** (event code)

Backup/restore timeout while communicating with the engine.

The backup was aborted because the printer is busy.

**32.1C.13** (event code) and **32.1C.14** (event code)

Not enough space exists to perform the backup.

The backup was aborted because the disk is at a critical level or full.

Scheduled backup failure.

**32.1C.15** (event code)

Restore aborted because the backup file was created by a previous version of firmware no longer supported by the feature.

**32.1C.2E** (event code)

The restore was aborted because the printer is busy.

**32.1C.2F** (event code)

Reset failure.

**32.1C.40** (event code)

The backup operation completed successfully (informational).

**32.1C.41** (event code)

The backup operation encountered an error (informational).

**32.1C.42** (event code)

The backup operation completed, but with a warning message (informational).

**32.1C.43** (event code)

A component in the backup file is not supported by the current version of firmware and will not be restored (informational).

**32.1C.44** (event code)

A component in the backup file is not transferable to another printer and will not be restored (informational).

**32.1C.45** (event code)

Some data was not included in the backup file (informational).

**32.1C.46** (event code)

An expected component could not be found and was thus not backed up. Because components should be known on backups, this code is a warning (informational).

**32.1C.47** (event code)

Some data was not restored from the backup file (informational).

**32.1C.48** (event code)

The backup job ticket was submitted using an invalid network path.

**32.1C.49** (event code)

The backup job ticket was submitted with a bad encryption.

**32.1C.4A** (event code)

An error occurred when creating the temporary directories used to store the backup files in transition to and from the compressed (ZIP) file.

**32.1C.56** (event code)

Reset aborted. Backup/restore in progress (informational).

**32.1C.57** (event code)

Reset aborted (informational).

**32.1C.58** (event code)

Unknown reset error (informational).

**32.1C.60** (event code)

The restore operation completed successfully (informational).

**32.1C.61** (event code)

The restore operation encountered an error.

**32.1C.62** (event code)

The restore operation completed, but with a warning message.

**32.1C.68** (event code)

The restore job ticket was submitted using an invalid network path.



### 32.1C.69 (event code)

The restore job ticket was submitted with a bad encryption personal identification number (PIN).

### 32.1C.6A (event code)

An error occurred when creating the temporary directories used to store the restore files in transition to and from the compressed (ZIP) file.

### 32.1C.6D (event code)

An unusual error occurred when running the restore.

#### **Recommended action**

### 32.1C.05 (event code)

Verify the credentials that were submitted. Check the domain, user name, and password.

### 32.1C.06 (event code)

Verify the credentials that were submitted. Check the domain, user name, and password.

### 32.1C.07 (event code)

Retry the job.

### 32.1C.08 (event code)

- Retry the job.
- Remove stored jobs and retry.
- Use a larger capacity storage device.
- Check the network share.

Remove any stored jobs, and then retry.

If the error persists, try using a larger capacity storage device and check the network share settings.

### 32.1C.09 (event code)

Use a valid backup file.

### 32.1C.0A (event code)

Use a valid backup file.

Reboot, and then observe the state of the printer.

If the error persists, perform a partition clean from the **Preboot** menu.

### 32.1C.0D (event code)

Reboot, and then retry the backup/restore.

### 32.1C.11 (event code)

Wait until the printer is idle, and then try again.

### 32.1C.13 (event code) and 32.1C.14 (event code)

Free up disk space, and then try again.

**32.1C.15** (event code)

- Use the current backup file.

**32.1C.2E** (event code)

Wait until the printer is idle, and then try again.

Turn the printer off then on, and then retry.

**32.1C.2F** (event code)

Turn the printer off then on, and then retry.

**32.1C.40** (event code)

No action necessary.

**32.1C.41** (event code)

No action necessary.

**32.1C.42** (event code)

No action necessary.

**32.1C.43** (event code)

No action necessary.

**32.1C.44** (event code)

No action necessary.

**32.1C.45** (event code)

No action necessary.

**32.1C.46** (event code)

No action necessary.

**32.1C.47** (event code)

No action necessary.

**32.1C.48** (event code)

Check that a share was provided as part of the network path (not blank).

Check that the server and the share exists.

Check that the user has permission to access the share on the provided server.

**32.1C.49** (event code)

Verify that the encryption personal identification number (PIN) meets the restrictions for the printer.

**32.1C.4A** (event code)

Retry the job.

If this does not resolve the issue, turn the printer off then on again and retry the job.

If the error persists, perform a **Partial Clean** using the **Preboot** menu.

[32.1C.56](#) (event code)

No action necessary.

[32.1C.57](#) (event code)

No action necessary.

[32.1C.58](#) (event code)

No action necessary.

[32.1C.60](#) (event code)

No action necessary.

[32.1C.61](#) (event code)

Review the error log to see specific details about the failure.

[32.1C.62](#) (event code)

Review the error log to see specific details about the failure.

[32.1C.68](#) (event code)

Check that a share was provided as part of the network path (not blank).

Check that the server and the share exist.

Check that the user has permission to access the share on the provided server.

Check that the path includes the compressed (ZIP) file name as part of the path.

[32.1C.69](#) (event code)

Verify the encryption personal identification number (PIN) is the same PIN used to encrypt the backup file.

[32.1C.6A](#) (event code)

Retry the job.

[32.1C.6D](#) (event code)

Retry the job.

## 33.01.XX

### Description

- **33.01.01** (event code)

A restore process has occurred.

- **33.01.02** (event code)

A save process has occurred.

- **33.01.03** (event code)

Save recover functionality OK after previously being disabled.

**Recommended action**

No action necessary.

**33.02.01 Used board/disk installed**

**Description**

Used board disk installed.

An encrypted board or disk with existing data previously locked to a different printer has replaced the original. If you continue, data is permanently lost.

**Recommended action**

1. Reinstall the used board or disk back into its original printer.
2. To save the data on the board or disk, turn the printer off. replace the board or disk with another board or disk.
3. To delete the data on the board or disk and continue, touch the **OK** button.

**33.03.03 Incompatible formatter installed.**

**Description**

This is and EFI BIOS event to prevent booting with the wrong formatter installed.

**Recommended action**

Turn the printer off, and then install the correct formatter in the printer.



---

**NOTE:** If it is believed that this formatter is the correct part number and model for this printer, install a replacement formatter, and then return the formatter in question to HP for evaluation.

---

**33.03.XX**

**Description**

- **33.02.01** (event code)  
Save recover engine storage ID unexpected length.
- **33.03.02** (event code)  
Data size mismatch unable to recover DCC MVRAM.

**Recommended action**

Turn the printer off, and then on again.

If the error persists, replace the image control board (ICB) and return to HP for evaluation.

## 40.XX.YZ Error Messages

### 40.00.01 USB I/O buffer overflow To continue, touch "OK"

#### Description

The USB buffer has overflowed.

#### Recommended action

1. Touch the **OK** button to print the transferred data (some data might be lost).
2. Check the host configuration.

### 40.00.02 Embedded I/O buffer overflow To continue, touch "OK"

#### Description

The printer has experienced a JetDirect buffer overflow.

#### Recommended action

1. Touch the **OK** button to print the transferred data (some data might be lost).
2. Check the host configuration.

### 40.00.03 EIO <X> buffer overflow To continue, touch "OK"

#### Description

Too much data was sent to the EIO card in the specified slot (x). An incorrect communications protocol might be in use.

#### Recommended action

Touch the **OK** button to print the transferred data (some data might be lost).

### 40.00.04 EIO <X> bad transmission To continue, touch "OK"

#### Description

The connection between the printer and the USB device has been broken.

#### Recommended action

1. Touch the **OK** button to clear the error message and continue printing.
2. Remove, and then reinstall the USB device.

### 40.00.05 Embedded I/O bad transmission To continue, touch "OK"

#### Description

The USB device has been removed.

**Recommended action**

1. Touch the **OK** button to clear the error message (data will be lost).
2. Install the USB device.

**40.08.0X USB storage accessory removed****Description**

X = 0 or ;1 information code.

Secure file erase is enabled.

**Recommended action**

No action necessary.

**40.0X.05 USB storage accessory removed****Description**

X = 1, 2, 3, 5, or 6; information code.

The USB storage accessory was removed.

**Recommended action**

No action necessary.

**41.XX.YZ Error Messages****41.01.YZ****Description**

Event log error message: 41.01.YZ.

An unknown misprint error occurred on the printer.

Y = Type, Z = Tray

- Y = 0: Photo Media (1, 2, or 3)
- Y = 1: Auto Sense (Normal)
- Y = 2: Normal (typed not from Auto Sense)
- Y = 3: Light media 1, 2, or 3 mode
- Y = 4: Heavy media 1
- Y = 5: Heavy media 2
- Y = 6: Heavy media 3
- Y = 7: Glossy media 1
- Y = 8: Glossy media 2
- Y = 9: Glossy media 3

- Y = A: Glossy film
- Y = B: OHT
- Y = C: Label
- Y = D: Envelope 1, 2, or 3 mode
- Y = E: Rough
- Y = F: Other mode
- Z = 0: From unknown tray
- Z = 1: From Tray 1
- Z = 2: From Tray 2
- Z = 3: From Tray 3
- Z = 4: From Tray 4
- Z = 5: From Tray 5
- Z = 6: From Tray 6
- Z = 7: From Tray 7
- Z = 8: From Tray 8
- Z = 9: From Tray 9
- Z = D: From duplex

**Recommended action**

1. Touch **OK** to clear the error.
2. If the error is not cleared, Turn the printer off, and then on again.
3. If the error returns, check the wire harness from the laser scanner to the DC controller.
4. If the error persists, replace the laser/scanner assembly.
5. Replace the DC controller.

**41.02.00 Error**

**Description**

A beam detected misprint error occurred.

**Recommended action**

1. To clear the error message, touch **OK**.
2. If the error persists, turn the printer off, and then on again.
3. Verify that the toner cartridge is in good condition and the shutter works properly. Swap toner cartridge to test as needed.

4. If the error returns, check the wire harness from the laser/scanners to the DC controller.
5. If the error persists, replace the laser scanner assembly and the Laser Scanner Cable.

#### 41.03.02 with slow printing

##### Description

Some instances of slow printing and 41.03.02 have been seen caused by timing issues with the correct size media loaded.

##### Recommended action

1. Touch **OK** to use another tray.
2. Print a configuration page to verify the size and type to which the trays are set.
3. Make sure that the tray is loaded with the correct paper size and that the sliding paper guides are correctly adjusted to the correct paper size.
4. Verify that the error is not occurring as a result of an unexpected paper size trigger caused by a multi-page feed.
5. Print internal pages from all trays to verify that this error only occurs when printing from the PC.
6. Verify that the Toner cartridge and the transfer roller are seated properly.
7. Check the rollers and make sure they are not worn smooth, or coated with paper dust or other debris. If the rollers are causing the issue, send the customer a roller kit.
8. Use the Tray/Bin manual sensor test to verify that the cassette media switch is correctly functioning.
9. Check paper path sensors for proper operation and that they do not stick at all. Replace any damaged sensor or assembly.
10. Reconnect the connectors for the media sensor, intermediate-transfer belt, and the DC controller PCA.
11. Test registration assembly motor and clutch. If not function properly replace the registration assembly. If the error persists, replace the lifter assembly.
12. Perform engine test with and without formatter  
  
If engine tests does not print with the formatter installed but prints good without the formatter, replace the formatter.
13. Replace DCC if formatter did not resolve the issue.

#### 41.03.FZ Unknown Misprint Error

##### Description

This is a general misprint error. Either media is loaded off-center with the side guides in the tray or a media width sensor failure occurred from an unknown tray. The error will be one of the following:

- **41.03.F0**
- **41.03.F1**
- **41.03.F2**
- **41.03.F3**



- **41.03.F4**
- **41.03.F5**
- **41.03.FD**

**Recommended action**

1. Reload the tray, verifying that the guides in the tray are flush with the loaded media in the tray.
2. Try the print job again.

Watch the mechanism to see if it is functioning correctly. If the linkage is broken, replace the paper tray.

3. If the error persists, print a Configuration Page and note the paper size for the tray in question.
  - If the size is not reported correctly, run the tray size sensor test in the **Diagnostic** menu.
  - If the tray size sensors test as **GOOD**, replace the paper tray.
  - If the tray size sensors test as **BAD**, check the cable connections between the tray size sensor and the DC Controller.

If the cable connections are plugged in correctly and the cables are not compromised, replace the correct component that contains the tray size sensing switches.

**41.03.YZ Unexpected size in tray <X>**

**Description**

The printer detected a different paper size than expected.

Y = Type, Z = Tray

- Y = 0 Size mismatch. Detected media is longer or shorter than expected.
- Y = A Size mismatch. Detected media too long.
- Y = B Size mismatch. Detected media too short.
- Y = C Size mismatch. Inter-page gap error.
- Z = D Source is the duplexer.
- Z = E Source is the envelope feeder.
- Z = 1 Source is Tray 1.
- Z = 2 Source is Tray 2.
- Z = 3 Source is Tray 3.
- Z = 4 Source is Tray 4.
- Z = 5 Source is Tray 5.

**Recommended action**

1. Touch **OK** to use another tray.
2. Print a configuration page to verify the size and type to which the trays are set.

3. Make sure that the tray is loaded with the correct paper size and that the sliding paper guides are correctly adjusted to the correct paper size.
4. Verify that the error is not occurring as a result of an unexpected paper size trigger caused by a multi-page feed.
5. Print internal pages from all trays to verify that this error only occurs when printing from the PC.
6. Verify that the Toner cartridge and the transfer roller are seated properly.
7. Check the rollers and make sure they are not worn smooth, or coated with paper dust or other debris. If the rollers are causing the issue, send the customer a roller kit.
8. Use the Tray/Bin manual sensor test to verify that the cassette media switch is correctly functioning.
9. Check paper path sensors for proper operation and that they do not stick at all. Replace any damaged sensor or assembly.
10. Reconnect the connectors for the media sensor, intermediate-transfer belt, and the DC controller PCA.
11. Test registration assembly motor and clutch. If not function properly replace the registration assembly. If the error persists, replace the lifter assembly.

#### 41.04.YZ Printer Error

##### Description

An unknown misprint error occurred on the printer.

Y = Type, Z = Tray

- Y = 0: Photo Media (1, 2, or 3)
- Y = 1: Auto Sense (Normal)
- Y = 2: Normal (typed not from Auto Sense)
- Y = 3: Light media 1, 2, or 3 mode
- Y = 4: Heavy media 1
- Y = 5: Heavy media 2
- Y = 6: Heavy media 3
- Y = 7: Glossy media 1
- Y = 8: Glossy media 2
- Y = 9: Glossy media 3
- Y = A: Glossy film
- Y = B: OHT
- Y = C: Label
- Y = D: Envelope 1, 2, or 3 mode

- Y = E: Rough
- Y = F: Other mode
- Z = D Source is the duplexer.
- Z = 0 Source is the envelope feeder.
- Z = 1 Source is Tray 1.
- Z = 2 Source is Tray 2.
- Z = 3 Source is Tray 3.
- Z = 4 Source is Tray 4.
- Z = 5 Source is Tray 5.

#### **Recommended action**

1. Touch **OK** to clear the error .
2. If error does not clear, turn the printer off, and then on again.
3. Swap out or re-seat each toner cartridge to test it.
4. Check the toner cartridges before replacing any other parts (HP original?, connectors, etc.).
5. Re-seat the connections to the laser/scanner and the DC controller.
6. If the error persists, replace the affected laser/scanner.
7. Replace the DC controller.

#### **41.05.YZ Unexpected type in tray <X>**

##### **Description**

The printer can detect the type of paper in the paper path, and it adjusts the print mode accordingly.

Tray X is loaded with a media type (transparencies, envelopes, etc.) that is different than what they tray is configured to use.

Y = Expected type, Z = Detected type

- Y = 0: Photo Media (1, 2, or 3)
- Y = 1: Auto Sense (Normal)
- Y = 2: Normal (typed not from Auto Sense)
- Y = 3: Light media 1, 2, or 3 mode
- Y = 4: Heavy media 1
- Y = 5: Heavy media 2
- Y = 6: Heavy media 3
- Y = 7: Glossy media 1
- Y = 8: Glossy media 2

- Y = 9: Glossy media 3
- Y = A: Glossy film
- Y = B: OHT
- Y = C: Label
- Y = D: Envelope 1, 2, or 3 mode
- Y = E: Rough
- Y = F: Other mode
- Z = 0: Photo Media (1, 2, or 3)
- Z = 1: Auto Sense (Normal)
- Z = 2: Normal (typed not from Auto Sense)
- Z = 3: Light media 1, 2, or 3 mode
- Z = 4: Heavy media 1
- Z = 5: Heavy media 2
- Z = 6: Heavy media 3
- Z = 7: Glossy media 1
- Z = 8: Glossy media 2
- Z = 9: Glossy media 3
- Z = A: Glossy film
- Z = B: OHT
- Z = C: Label
- Z = D: Envelope 1, 2, or 3 mode
- Z = E: Rough
- Z = F: Other mode

**Recommended action**

1. Load the tray with the size and type of paper indicated, or use another tray if available.
2. If this message displays and the tray is loaded with the correct paper type, check the print driver settings to make sure they match the tray type settings.
3. Check all application and printer settings to make sure that the **Type** setting is correct.
4. Clean the Media sensor.
5. If the error persists, replace the paper pickup assembly.

## 41.XX.YZ Error To continue, touch “OK”

### Description

This section covers all other errors of the form 41.XX.YZ not covered in the previous sections.

A printer error has occurred.

XX = error type

Y = fuser mode

Z = input tray

- XX = 02 Beam detect misprint
- XX = 09 Sub thermistor abnormally high
- XX = 10 Pickup failure.
- XX = 11 Illegal Duplex.
- XX = 18 Scan line inclination adjustment
- XX = 20 Image drum HV
- Y = 0: Photo Media (1, 2, or 3)
- Y = 1: Auto Sense (Normal)
- Y = 2: Normal (typed not from Auto Sense)
- Y = 3: Light media 1, 2, or 3 mode
- Y = 4: Heavy media 1
- Y = 5: Heavy media 2
- Y = 6: Heavy media 3
- Y = 7: Glossy media 1
- Y = 8: Glossy media 2
- Y = 9: Glossy media 3
- Y = A: Glossy film
- Y = B: OHT
- Y = C: Label
- Y = D: Envelope 1, 2, or 3 mode
- Y = E: Rough
- Y = F: Other mode
- Z = 0 Envelope feeder
- Z = 1 Tray 1

- Z = 2 Tray 2
- Z = 3 Tray 3
- Z = 4 Tray 4
- Z = 5 Tray 5
- Z = 6 Tray 6
- D Duplexer

**Recommended action**

1. To clear the message, touch the [OK](#) button.
2. If the message displays again, turn the printer off, and then on again.
3. If the error persists, replace the DC Controller PCA.

**42.XX.YZ Error Messages**

**42.XX.YZ**

**Description**

Internal system failure.

**Recommended action**

1. Turn the printer off then on, and retry.
2. If the error persists, clear the firmware image from the active partition by using the [Partial Clean](#) item in the [Preboot](#) menu.

**47.XX.XX Error Messages**

**47.00.XX**

**Description**

Back channel internal error.

**Recommended action**

1. Turn the printer off, and then on again.
2. Resend the print job.
3. If the error persists, clear the active partition by using the [Partial Clean](#) item in the [Preboot](#) menu.

**47.01.XX**

**Description**

Image transformer internal error.

**Recommended action**

1. Turn the printer off, and then on again.
2. Resend the print job.
3. If the error persists, clear the active partition by using the [Partial Clean](#) item in the [Preboot](#) menu.

**47.02.XX****Description**

Job parser internal error.

**Recommended action**

1. Turn the printer off, and then on again.
2. Resend the print job.
3. If the error persists, clear the active partition by using the [Partial Clean](#) item in the [Preboot](#) menu.

**47.03.XX****Description**

Print job internal error.

**Recommended action**

1. Turn the printer off, and then on again.
2. Resend the print job.
3. If the error persists, clear the active partition by using the [Partial Clean](#) item in the [Preboot](#) menu.

**47.04.XX****Description**

Print spooler 9100 internal error.

**Recommended action**

1. Turn the printer off, and then on again.
2. Resend the print job.
3. If the error persists, clear the active partition by using the [Partial Clean](#) item in the [Preboot](#) menu.

**47.05.00****Description**

Print spooler framework internal error.

**Recommended action**

1. Turn the printer off, and then on again.
2. Resend the print job.
3. If the error persists, clear the active partition by using the [Partial Clean](#) item in the [Preboot](#) menu.

**47.06.XX****Description**

Print application internal error.

**Recommended action**

1. Turn the printer off, and then on again.
2. Resend the print job.
3. If the error persists, clear the active partition by using the [Partial Clean](#) item in the [Preboot](#) menu.

**48.XX.YY Error Messages****48.XX.YY****Description**

A job framework internal error has occurred.

**Recommended action**

1. No action should be necessary.
2. If the error persists, upgrade the product firmware.
3. If the issue persists, continue troubleshooting with the flowcharts for either Intermittent or Persistent 49 error troubleshooting (whichever is appropriate) in document c03122817, “HP LaserJet FutureSmart Devices - 49 Error Troubleshooting (Persistent and Intermittent)”.

**49.XX.YY Error Messages****49.XX.YY Error To continue turn off then on****Description**

A firmware error occurred. Corrupted print jobs, software application issues, non-product specific print drivers, poor quality USB or network cables, bad network connections or incorrect configurations, invalid firmware operations, or unsupported accessories can cause this error.

**Recommended action**

1. Turn the product off, and then on.
2. If the error persists, check the following:



- The error might be caused by a network connectivity problem, such as a bad interface cable, a bad USB port, or an invalid network configuration setting.
- The error might be caused by the print job, due to an invalid print driver, a problem with the software application, or a problem with the file being printed.
- Upgrading the product firmware might help resolve the error. See the product user guide for more information.

When a 49 error occurs, the user sees a 49.XXXX message on the control panel (where XXXX is replaced by a combination of letters and numbers). A 49 error might happen at any time for multiple reasons. Although some types of 49 errors can be caused by hardware failures, it is more common for 49 errors to be caused by printing a specific document or performing some task on the product.

49 errors most often occur when a product is asked to perform an action that the product firmware is not capable of and might not have been designed to comply with, such as:

- Printing files with unsupported programming commands
- A unique combination of user environment and user interactions with the product
- Interfacing with a third-party solution that was not designed to work with the product
- Specific timing, network traffic, or concurrent processing of jobs

Each of these interactions could cause the product firmware to initiate an action that the product cannot accomplish. In situations like this, the product might present the error if it has no other option. When these errors occur, the only way to recover is to turn the product's power off and back on.



**NOTE:** LaserJet formatter PCAs are rarely the root cause of 49 service errors. Please do not replace the formatter or flash unless troubleshooting has identified the formatter as the root cause.

If the error persists, continue troubleshooting with the flowcharts for either Intermittent or Persistent 49 error troubleshooting (whichever is appropriate) in document c03122817, "HP LaserJet FutureSmart Devices - 49 Error Troubleshooting (Persistent and Intermittent)".

## 50.WX.YZ Error Messages

### 50.10.YZ Fuser Error

#### Description

Low temperature thermistor 2.

Y = previous printer sleep state, Z = next printer sleep state

#### Recommended action

1. Reinstall the fuser. Check the connector (J128) between the fuser and the printer. If it is damaged, replace the fuser.
2. Reconnect the connector (J62) on the low-voltage power supply PCA.
3. If the error persists, replace the power supply unit.

### 50.11.YZ Fuser Error

#### Description

High temperature thermistor 2.

Y = previous printer sleep state, Z = next printer sleep state

#### Recommended action

1. Reinstall the fuser. Check the connector (J128) between the fuser and the printer. If it is damaged, replace the fuser.
2. Reconnect the connector (J62) on the low-voltage power supply PCA.
3. If the error persists, replace the power supply unit.

### 50.12.YZ Fuser Error

#### Description

Fuser pressure release mechanism failure.

Y = previous printer sleep state, Z = next printer sleep state

#### Recommended action

1. Reconnect the fuser connector (J128) and the DC controller PCA connector (J62).
2. Check the fuser pressure release sensor flag. If the flag is damaged or not properly working, replace the fuser.
3. Reconnect the fuser motor connector (J221) and the DC controller PCA connector (J89).
4. Use the [Component test](#) under the [Troubleshooting](#) menu to test the fuser motor. If the motor fails the test, replace the fuser motor.
5. If the error persists, replace the fuser.

### 50.2X.YZ Fuser Error

#### Description

Fuser warm up failure.

X = fuser mode, Y = previous printer sleep state, Z = next printer sleep state

#### Recommended action

1. Turn printer power off and then back on again.
2. If the error returns, unplug the device from any power-strips or uninterrupted power supplies and plug directly in to a wall socket.
3. If error returns, power off the unit and wait till fuser has cooled.
4. Remove the fuser and check fuser for damage or obstructions. Reinstall or replace fuser as needed.

5. Check the connector (J128) between the fuser and the DC controller PCA.
6. If the error persists, replace the fuser and then replace the power supply unit if needed or if the fuser has already been replaced.

### 50.3X.YZ Fuser Error

#### Description

Low temperature thermistor 1.

X = fuser mode, Y = previous printer sleep state, Z = next printer sleep state

#### Recommended action

1. Reinstall the fuser. Check the connector (J128) between the fuser and the printer. If it is damaged, replace the fuser.
2. Reconnect the connector (J82) on the DC controller PCA.
3. Replace the fuser.
4. W = 2: Reconnect the connector (J62) on the low-voltage power supply PCA.
5. If the error persists, replace the power supply unit.

### 50.4X.YZ Fuser Error

#### Description

High temperature thermistor 1.

X = fuser mode, Y = previous printer sleep state, Z = next printer sleep state

#### Recommended action

1. Reinstall the fuser. Check the connector (J128) between the fuser and the printer. If it is damaged, replace the fuser.
2. Reconnect the connector (J82) on the DC controller PCA.
3. Replace the fuser.
4. If the error persists, replace the power supply unit.

### 50.6X.YZ Fuser Error

#### Description

Drive circuit fault.

X = fuser mode, Y = previous printer sleep state, Z = next printer sleep state

#### Recommended action

1. Check the power source. Make sure the power source meets printer requirements.



---

**NOTE:** If the power source does not meet the power frequency requirement of 40 to 70Hz, the fuser temperature control does not work properly and causes this error.

---

2. Reconnect connectors J51, J52, J53, and J162 and DC controller PCA connectors J85, J95, and J96.
3. If the error persists, replace the power supply unit.

### 50.7X.YZ Fuser Error

#### Description

Fuser Pressure release failure.

X = fuser mode, Y = previous printer sleep state, Z = next printer sleep state

#### Recommended action

1. Turn printer power off and then back on again.
2. Resend job.
3. If error returns, power off the unit and wait till fuser cooled.
4. Remove fuser and check fuser for damage or obstructions.
5. Re-Install fuser and test.
6. If the error persists, replace the fuser assembly.

### 50.9X.YZ Fuser Error

#### Description

Low fuser temp 2 error.

X = fuser mode, Y = previous printer sleep state, Z = next printer sleep state

#### Recommended action

1. Turn printer power off and then back on again.
2. Ensure media type and fuser mode are correct for media being used.
3. If error returns, power off the unit and wait till fuser cooled.
4. Remove fuser and check fuser for damage or obstructions.
5. Re-Install fuser and test.
6. If the error persists, replace the fuser assembly.
7. If error returns, replace the power supply unit.
8. If error returns, replace the DC controller PC board assembly.

## 51.XX.YZ, 52.XX.YZ Error Messages

### 51.00.YY

#### Description

Laser/scanner error.

- YY = 20  
Black laser/scanner error

#### Recommended action

1. Reconnect connector (J145) on the laser/scanner.
2. Reconnect connectors (J86 and J93) on the DC controller.
3. If the error persists, replace the laser/scanner.

### 52.XX.00

#### Description

Laser/scanner error.

- XX = 00  
laser/scanner motor startup error.
- XX = 20  
Laser/scanner rotation error.

#### Recommended action

1. Reconnect connector (J145) on the laser/scanner.
2. Reconnect connectors (J86 and J93) on the DC controller.
3. Use the scanner motor (M108) drive test in the [Component Test](#) to verify that the scanner motor is properly functioning. If it is not, replace the laser/scanner.



---

**NOTE:** Listen for a high pitched whine from the motor.

---

4. If the error persists, replace the laser/scanner.

## 54.XX.YZ Error Messages

### 54.00.03 error

#### Description

A sensor error has occurred.

Environmental sensor (TH3) failure.

**Recommended action**

1. Turn the printer off, and then reconnect the connector (J63) on the DC controller PCA. Turn the printer on.
2. If the environment sensor has been removed or replaced, check the connector (J199) on the environment sensor and the connector (J63) on the DC controller PCA.
3. If the error persists, replace the environment sensor assembly.

**54.06.21 error****Description**

A sensor error has occurred.

Primary laser/scanner beam detect abnormality.

**Recommended action**

1. Turn the printer off, and then on.
2. If the printer has had parts removed or replace, check the connector (J93) on the DC controller PCA.
3. If the error persists, replace the laser/scanner assembly.

**55.XX.YZ, 56.XX.YZ Error Messages****55.00.yy To continue turn off then on****Description**

DC controller PCA error.

- **55.00.01** (event code)  
DC controller memory error.
- **55.00.03** (event code)  
DC controller no engine response.
- **55.00.04** (event code)  
DC controller communications time-out.

**Recommended action**

Turn the printer off, and then on.

If the error persists, replace the DC controller PCA.

**55.0x.yy to.continue.off.on****Description**

DC controller PCA error.

- **55.01.06** (event code)

NVRAM memory data error warning.

- **55.02.06** (event code)

NVRAM memory access error warning.

**Recommended action**

Turn the printer off, and then on.

If the error persists, replace the DC controller PCA.

**56.00.yy to.continue.off.on**

**Description**

Optional paper trays communication error.

**Recommended action**

1. Turn the printer off, and then on.
2. If the error persists, reseal the optional paper trays (1 x 500-sheet feeder and/or 3 x 500-sheet feeder).
3. Check the input connectors for damage. If a connector is damaged, replace the connector.

**57.XX.YZ Error Messages**



**NOTE:** Use the wiring diagram to trace back where the fan gets its supply voltage.

The connectors are supplied in the troubleshooting steps. If after following the steps provided the issue is not resolved it may be a voltage source issue from the DC Controller or Power Supply. Depending which FAN is failing one of these parts may need to be replaced as a following step.

**57.00.01 to.continue.off.on**

**Description**

Main fan (FN101) failure.

**Recommended action**

1. Turn the printer off, and then on. Listen for fan noise at the back left corner of the printer. If no noise is heard, replace the power supply fan (FN101).
2. If the fan has been removed or replaced, check the connector (J64) on the DC controller PCA.
3. If the error persists, replace the main fan (FN101).

**57.00.02 to.continue.off.on**

**Description**

Cartridge front-side fan (FN103) failure.

**Recommended action**

1. Turn the printer off, and then back on. Listen for fan noise coming from the right side cover vent closest to the front of the printer. The fan should turn on approximately 1.5 minutes after power on.
2. If no noise is heard, replace fan FN103.
3. If the fan has been removed or replaced, check connector J75 on the DC Controller.

**57.00.03 to.continue.off.on****Description**

Cartridge front-side fan (FN301) failure.

**Recommended action**

1. Turn the printer off, and then back on. Listen for fan noise coming from the left side cover vent nearest the front. The fan should turn on approximately 1.5 minutes after power on. If no fan noise is heard, replace fan FN301.
2. If the fan has been removed or replaced, check connectors J66 on the Power Supply and J95 on the DC Controller.
3. If the fan is still not working, replace the Power Supply.

**57.00.04 to.continue.off.on****Description**

Laser/scanner fan (FN102) failure.

**Recommended action**

1. Turn the printer off, and then back on. Listen for fan noise coming from the center of the right side cover. The fan should turn on approximately 1.5 minutes after power on.
2. If no fan noise is heard, replace fan FN102.
3. If the fan has been removed or replaced, check connector J79 on the DC Controller.

**57.00.05 to.continue.off.on****Description**

Duplex fan (FN107) failure.

**Recommended action**

1. Turn the printer off, and then on. Listen for fan noise at the left side of the printer. If no noise is heard, replace the duplex fan (FN107).
2. If the fan has been removed or replaced, check the connector (J64) on the DC controller PCA.
3. If the error persists, replace the duplexer.



## 58.XX.YZ Error Messages

### 58.00.03 Error

#### Description

DC controller CPU failure.

#### Recommended action

1. Turn the printer off and then back on.
2. Check all of the connectors on the DC controller PCA.
3. If the error persists, replace the DC controller PCA.

### 58.00.04 Error

#### Description

The printer experienced a low voltage power supply unit malfunction.

#### Recommended action

1. Turn the printer off and then back on.



---

**NOTE:** This error might be caused by source power related issues.

Determine if the area where the printer is located has experienced brown outs or is subject to power quality issues.

---

2. Ensure printer is plug into dedicated power outlet.
3. If error persists, replace the power supply unit.

### 58.00.05 Error

#### Description

Environmental sensor (TH3) failure.

#### Recommended action

1. Turn the printer off and then back on.
2. If this part has been removed or replace, check the connector (J42) on the DC controller PCA.
3. Reconnect the intermediate connector (J199) on the environmental sensor.
4. If the error persists, replace the environmental sensor (TH3).

### 58.01.04 Error

#### Description

24V power supply error during operation.

During regular printing operation the 24V power supply experienced an error.

### Recommended action

1. Turn the printer off and then back on.



**NOTE:** This error might be caused by source power related issues.

Determine if the area where the printer is located has experienced brown outs or is subject to power quality issues.

2. Ensure printer is plug into dedicated power outlet.
3. If error persists, replace the power supply unit.

### 58.02.04 Error

#### Description

24V power supply error during boot or wake.

During printer power on or when waking from sleep mode, the printer experienced an error with the 24V power supply.

#### Recommended action

1. Turn the printer off and then back on.



**NOTE:** This error might be caused by source power related issues.

Determine if the area where the printer is located has experienced brown outs or is subject to power quality issues.

2. Ensure printer is plug into dedicated power outlet.
3. If error persists, replace the power supply unit.

### 59.XX.YZ Error Messages

#### 59.00.YY Error — To.continue.off.on

#### Description

A motor error has occurred.

- YY = Motor

Paper path malfunction.

#### Recommended action

##### 59.00.20

Feed motor (M101) failure (start-up or rotational).

1. Reconnect the connector (J191) on the feed motor and the connector (J91) on the DC controller PCA.
2. Use the feed motor (M101) drive test in the Component test to verify that the motor is properly functioning. If is not, replace the feed motor (M101).

##### 59.00.30

Fuser motor (M299) failure.

1. Use the fuser motor (M299) drive test in the Component test to verify that the motor is properly functioning. If test fails, replace the fuser.
2. If the motor has been removed or replaced, check connector J221 on the fuser motor M299 and connector J89 on the DC Controller.
3. If the error persists, replace the fuser motor M299.

#### **59.00.40**

Fuser motor (M299) failure (start-up or rotational).

1. Use the fuser motor (M299) drive test in the Component test to verify that the motor is properly functioning. If test fails, replace the fuser.
2. If the motor has been removed or replaced, check connector J221 on the fuser motor M299 and connector J89 on the DC Controller.
3. If the error persists, replace the fuser motor M299.

#### **59.00.90**

Feed motor (M101) failure.

1. Use the feed motor (M101) drive test in the Component test to verify that the motor is properly functioning. If is not, replace the feed motor (M101).
2. If the feed motor has been removed or replaced, check connector J191 on the feed motor and connector J91 on the DC Controller.

#### **59.05.50, 59.50.60, 59.05.70**

Drum motor startup error, Drum motor (M102) failure.

1. Use the feed motor (M101) drive test in the Component test to verify that the motor is properly functioning. If is not, replace the feed motor (M101).
2. If the feed motor has been removed or replaced, check connector J191 on the feed motor and connector J91 on the DC Controller.

### **59.A2.YY Error**

#### **Description**

A printer error has occurred.

#### **Recommended action**

#### **59.A2.02**

Tray 2 lifter driver assembly failure.

1. Use the Tray/Bin manual sensor test to verify that the Tray 2 paper (PS107 and PS907) surface sensors are properly functioning.
2. If this part has been removed or replace, check the connector (J73 and J94) on the on the DC controller PCA.

3. Check the media stack surface sensor lever and place it in the correct position to move smoothly. Replace the media stack surface sensor lever if it is damaged.
4. If the error persists, replace the lifter drive assembly (Tray 2).

#### **59.A2.OX**

Tray 3 to 6 lifter driver assembly motor failure.

X = Tray number

#### **59.A2.03** — Tray 3

#### **59.A2.04** — Tray 4

#### **59.A2.05** — Tray 5

1. Reconnect the connectors (J1605 and J1608) on the paper feeder drive PCA.
2. Reconnect the connectors (J1703 and J1707) on the paper cassette drive PCA.
3. Replace the sheet feeder media stack surface sensor.
4. If the error persists, replace the lifter motor for the specific sheet feeder.

### **60.00.OY, 62.00.00 Error Messages**

#### **60.00.OX Tray X lifting error**

##### **Description**

A tray lift motor error has occurred.

##### **Recommended action**

#### **60.00.02**

Tray 2 lifter driver assembly failure.

1. Use the Tray/Bin manual sensor test to verify that the Tray 2 paper (PS107 and PS907) surface sensors are properly functioning.
2. If this part has been removed or replace, check the connector (J73 and J94) on the on the DC controller PCA.
3. Check the media stack surface sensor level and place it in the correct position to move smoothly. Replace the sensor lever if it is damaged.
4. Replace the media stack surface sensor.
5. If the error persists, replace the lifter drive assembly (Tray 2).

#### **60.00.12 to 60.00.15**

Tray 3 lifter driver assembly failure.

1. Use the Tray/Bin manual sensor test to verify that the Tray 3 paper (SR1 and SR2) surface sensors are properly functioning.
2. If this part has been removed or replace, check the connector (1605 and 1608) on the on the paper feeder controller PCA.

3. Reconnect the connectors (J1703 and J1707) on the sheet feeder PCA.
4. Replace the sheet feeder media stack surface sensor.
5. If the error persists, replace the lifter drive assembly (Tray 3-6).

#### 62.00.00 To continue turn off the on.

##### **Description**

Internal system failure.

##### **Recommended action**

Turn the printer off, and then on.

If the error persists, reload the firmware. If the error still persists, perform a firmware upgrade.

If the firmware upgrade does not resolve the problem, replace the hard disk.

#### 65.X0.AZ Error Messages

##### 65.X0.A1 Output accessory disconnected

##### **Description**

An external paper handling accessory connection has been interrupted.

##### **Recommended action**

1. Turn the printer off.
2. Make sure that all packing materials have been removed from the paper handling accessory.
3. Check the paper path for obstructions, or jammed paper.
4. Check the accessory cable connection.
5. Turn the printer on. If the error persists, replace the accessory.

#### 66.WX.YZ Error Messages

##### 66.W0.YZ.device.failure

##### **Description**

An external paper handling accessory error has occurred.

- **66.80.01** (event code)  
Y-align malfunction
- **66.80.02** (event code)  
Jogger malfunction
- **66.80.03** (event code)  
Stapler malfunction
- **66.80.21** (event code)

Lift up malfunction

- **66.80.22** (event code)

Lift down malfunction

- **66.80.23** (event code)

Lift sensor malfunction

- **66.80.33** (event code)

Output roller malfunction

- **66.80.35** (event code)

Self priming malfunction

- **66.80.51** (event code)

System error (FW error)

- **66.80.55** (event code)

System error 5 (FW error)

- **66.80.56** (event code)

System error 6 (FW error)

- **66.80.57** (event code)

System error 7 (FW error)

- **66.80.58** (event code)

System error 8 (FW error)

- **66.80.59** (event code)

System error 9 (FW error)

- **66.80.60** (event code)

System error 10 (inter-page delay mismatch)

- **66.80.61** (event code)

System error 11 (lifter task trouble)

- **66.80.62** (event code)

System error 12 (inter-page delay mismatch)

- **66.80.63** (event code)

System error 13 (FW error)

- **66.80.64** (event code)

System error 14 (FW error)

- **66.80.65** (event code)  
System error 15 (FW error)
- **66.80.70** (event code)  
Page-info in flush
- **66.80.71** (event code)  
Flush request in PDLV
- **66.80.72** (event code)  
Delivery notice error
- **66.80.73** (event code)  
Flush request in checking paper path
- **66.80.74** (event code)  
Checking paper path start in PDLV
- **66.80.75** (event code)  
Flush request in flush
- **66.80.76** (event code)  
Non-flush complete

**Recommended action**

Turn the printer off, and then on.

If the error persists, replace the paper handling device.

**70.XX.YY Error Messages**

**70.00.00 Error To continue turn off then on**

**Description**

DC controller failure.

**Recommended action**

1. Turn the printer off, and then on.
2. If the error persists, replace the DC controller.

**80.XX.YY, 82.XX.YY Error Messages**

**80.0X.YY Embedded Jetdirect Error**

**Description**

An Embedded HP JetDirect print server critical error has occurred.

- **80.01.80:** (event log) No heartbeat
- **80.01.81:** (event log) Reclaim timeout
- **80.01.82:** (event log) Invalid data length
- **80.01.8B:** (event log) Invalid max outstanding packet header field
- **80.01.8C:** (event log) Invalid channel mapping response
- **80.03.01:** (event log) No PGP buffers
- **80.03.02:** (event log) Channel table full
- **80.03.03:** (event log) Producer index not reset
- **80.03.04:** (event log) Consumer index not reset
- **80.03.05:** (event log) Queue position size too small
- **80.03.06:** (event log) Transport overflow
- **80.03.07:** (event log) No overflow packets
- **80.03.08:** (event log) Invalid identify response
- **80.03.09:** (event log) Invalid channel map return status
- **80.03.10:** (event log) Invalid reclaim return status
- **80.03.12:** (event log) Datagram invalid buffer
- **80.03.13:** (event log) Max stream channels
- **80.03.14:** (event log) Max datagram channels
- **80.03.15:** (event log) Card reset failed
- **80.03.16:** (event log) Self-test failure
- **80.03.17:** (event log) Unknown PGP packet
- **80.03.18:** (event log) Duplicate I/O channel

**Recommended action**

1. Turn the printer off, and then on.
2. Remove the RJ45 cable.
3. Turn the printer off, and then on.
4. Reconnect the RJ45 cable.
5. If the error persists, replace the formatter.

**82.73.46, 82.73.47**

**Description**

A hard disk or compact flash disk cleaning failed. This error is usually caused by a failure of the disk hardware.



**Recommended action**

1. Turn the printer off, and then on.
2. Use the **Clean Disk** item in the **Preboot** menu.
3. Reload the firmware.

**98.0X.0Y Error Messages****98.00.01 or 98.01.00 Corrupt data in firmware volume****Description**

Data corrupt has occurred in the firmware volume.

**Recommended action**

1. Turn the printer off, and then on.
2. Use the **Clean Disk** item in the **Preboot** menu.
3. Reload the firmware.

**98.00.02 Corrupt data in the solutions volume****Description**

Data corrupt has occurred in the solutions volume.

**Recommended action**

1. Turn the printer off, and then on.
2. Use the **Clean Disk** item in the **Preboot** menu.
3. Reload the firmware.

**98.00.03 Corrupt data in the configuration volume****Description**

Data corrupt has occurred in the configuration volume.

**Recommended action**

1. Turn the printer off, and then on.
2. Download the firmware again, and then attempt the upgrade again.
3. Use the **Clean Disk** item in the **Preboot** menu.
4. Reload the firmware.

**98.00.04 Corrupt data in the job data volume****Description**

Data corrupt has occurred in the job data volume.

### **Recommended action**

1. Turn the printer off, and then on.
2. Rerun the file erase function.

## **99.XX.YY Error Messages**

### **99.00.01 Upgrade not performed file is corrupt**

#### **Description**

A remote firmware upgrade (RFU) was not performed.

This is a CRC error in the firmware image (bad image).

#### **Recommended action**

Download the RFU file, and then attempt the upgrade again.

### **99.00.02 Upgrade not performed time-out during receive**

#### **Description**

A remote firmware upgrade (RFU) was not performed.

The issue is an I/O time-out when reading the header number and size. It indicates a problem with the network environment, not the printer.

#### **Recommended action**

The most common cause is an issue with the network environment.

Make sure that there is a good network connection to the printer, and then attempt the firmware upgrade again, or upgrade using the USB walk-up port.

### **99.00.03 Upgrade not performed error writing to disk**

#### **Description**

A remote firmware upgrade (RFU) was not performed.

This is a disk error. It might indicate a problem or a hard disk failure. It might be necessary to check the connection to the hard disk or replace the hard disk.

#### **Recommended action**

1. Download the RFU file, and then attempt the upgrade again.
2. If the error persists, run the **Clean Disk** process from the **Preboot** menu.  
You will need to download the firmware from the **Preboot** menu.
3. If the error persists, replace the hard disk.

### **99.00.04 Upgrade not performed time-out during receive**

#### **Description**

A remote firmware upgrade (RFU) was not performed.

The issue is an I/O time-out when reading the header.

**Recommended action**

The most common cause is an issue with the network environment.

Make sure that there is a good network connection to the printer, and then attempt the firmware upgrade again, or upgrade using the USB walk-up port.

**99.00.05 Upgrade not performed time-out during receive**

**Description**

A remote firmware upgrade (RFU) was not performed.

The issue is an I/O time-out when reading image data.

**Recommended action**

The most common cause is an issue with the network environment.

Make sure that there is a good network connection to the printer, and then attempt the firmware upgrade again, or upgrade using the USB walk-up port.

**99.00.06 Upgrade not performed error reading upgrade**

**Description**

A remote firmware upgrade (RFU) was not performed.

The issue is an unexpected read error when reading the header number and size.

**Recommended action**

1. Download the RFU file, and then attempt the upgrade again.
2. If the error persists, replace the hard disk.

**99.00.07 Upgrade not performed error reading upgrade**

**Description**

A remote firmware upgrade (RFU) was not performed.

The issue is an unexpected read error when reading the rest of the header.

**Recommended action**

1. Download the RFU file, and then attempt the upgrade again.
2. If the error persists, replace the hard disk.

**99.00.08 Upgrade not performed error reading upgrade**

**Description**

A remote firmware upgrade (RFU) was not performed.

The issue is an unexpected read error when reading image data.

**Recommended action**

1. Download the RFU file, and then attempt the upgrade again.
2. If the error persists, replace the hard disk.

**99.00.09 Upgrade canceled by user****Description**

A remote firmware upgrade (RFU) was not performed.

The RFU was canceled by the user.

**Recommended action**

Resend the RFU.

**99.00.10 Upgrade canceled by user****Description**

A remote firmware upgrade (RFU) was not performed.

The RFU was canceled by the user when reading the header number and size.

**Recommended action**

Resend the RFU.

**99.00.11 Upgrade canceled by user****Description**

A remote firmware upgrade (RFU) was not performed.

The RFU was canceled by the user when reading the rest of the header.

**Recommended action**

Resend the RFU.

**99.00.12 Upgrade not performed the file is invalid****Description**

A remote firmware upgrade (RFU) was not performed.

The header number is 1, but the header size does not match version 1 size.

**Recommended action**

Download the RFU file again.

Make sure that you download the file for the correct printer model, and then resend the RFU.

**99.00.13 Upgrade not performed the file is invalid****Description**

A remote firmware upgrade (RFU) was not performed.

The header number is 2, but the header size does not match version 2 size.

**Recommended action**

Download the RFU file again.

Make sure that you download the file for the correct printer model, and then resend the RFU.

**99.00.14 Upgrade not performed the file is invalid**

**Description**

A remote firmware upgrade (RFU) was not performed.

The file is invalid.

**Recommended action**

Download the RFU file again.

Make sure that you download the file for the correct printer model, and then resend the RFU.

**99.00.2X**

**Description**

There is a compatibility issue with the firmware. The specific message varies depending on the cause, but the solution for each message is the same.

- **99.00.20** (event log)  
The bundle is not for this printer.
- **99.00.21** (event log)  
The bundle is not signed with the correct signature, or the signature is invalid.
- **99.00.22** (event log)  
The bundle header version is not supported by this firmware.
- **99.00.23** (event log)  
The package header version is not supported by this firmware.
- **99.00.24** (event log)  
The format of the bundle is invalid.
- **99.00.25** (event log)  
The format of the package is invalid.
- **99.00.26** (event log)  
A CRC32 check did not pass.
- **99.00.27** (event log)  
An I/O error occurred while downloading the bundle.

**Recommended action**

Download the correct firmware file from [www.hp.com](http://www.hp.com), and then resend the firmware upgrade.

**99.00.27 only:**

1. Turn the printer off, and then on.
2. Resend the firmware upgrade.
3. If the error persists, try installing the upgrade by another method (USB or Embedded Web Server).

**99.01.XX****Description**

A firmware install error has occurred. The specific message varies depending on the cause, but the solution for each message is the same.

- **99.01.00**
- **99.01.10**
- **99.01.20**
- **99.01.21**

**Recommended action**

Reload the firmware.

**99.02.01****Description**

Firmware installation was successful.

**Recommended action**

No action necessary.

**99.02.09****Description**

Firmware upgrade cancelled by user.

**Recommended action**

No action necessary.

**99.09.60 Unsupported disk****Description**

This is a **Preboot** menu error.

The hard disk currently installed is not recognized or supported by the printer.

**Recommended action**

Install the correct hard disk for this printer.

**99.09.61 Unsupported disk****Description**

This is a **Preboot** menu error.

The installed disk is installed in a printer configured for an encrypted hard disk..

**Recommended action**

Access the **Preboot** menu, and then select **Lock Disk** to lock the disk.

**99.09.62 Unknown disk****Description**

This error indicates that there is an encryption mismatch between the Hard drive and the formatter. This typically happens because an Hard drive was swapped into a device from another device.

**Recommended action**

Install a new disk or use the **Preboot** menu unlock the disk.

If a disk is to be reused in a different printer, execute the **Clean Disk** procedure from the **Preboot**, and then reload the firmware and lock the disk.

**99.09.63 Incorrect disk****Description**

This error indicates that the expected encrypted Hard drive is not present.

This is expected behavior when installing a new Hard drive in a device where the previous Hard drive was encrypted.

**Recommended action**

Follow the procedure to load firmware on a new hard disk, and then lock the disk to this printer.

**99.09.64 Disk Nonfunctional****Description**

A fatal hard disk failure has occurred.

**Recommended action**

1. Determine if the Hard Disk needs to be replaced.
2. Ask if customer is using eMMC as a temporary mass storage solution (eMMC must be present).
3. Instruct the customer to enable eMMC from the preboot menus.
4. Power down the printer.
5. Inform customer that the broken Hard drive must be removed to continue.

6. Power printer on, boot is expected to stop at 99.39.67 eMMC Not Bootable.
7. Provide Instructions to download firmware (This will automatically download to eMMC).
8. During download to eMMC, F/W clear data migration bit.
9. Ship new Hard drive.

Replace the hard disk.

#### 99.09.65 Disk data error

##### Description

Disk data corruption has occurred.

##### Recommended action

Use the **Clean Disk** procedure from the **Preboot** menu, and then resend the RFU.

#### 99.09.66 No boot device.

##### Description

A disk drive is not installed in the printer.

##### Recommended action

1. Determine the customer's intended boot device (Hard drive or eMMC).
2. Install a compatible hard disk drive or eMMC.
3. If a compatible hard disk or eMMC is installed, reseal the hard disk or eMMC to make sure that it is connected correctly.
4. If the error persists, replace the Hard drive or eMMC.



---

**NOTE:** Device is unusable until a new boot device is installed.

---

#### 99.09.67 Disk is not bootable please download firmware

##### Description

This is an error indicating that there is no firmware installed on the disk. This is usually the result of installing a new disk or performing a **Clean Disk** operation from the **Preboot** menu.

##### Recommended action

1. Press any button to continue to the main **Preboot** menu.
2. Press the Help button to see the help text for the error.
3. Select the **Administration** menu.



---

**NOTE:** If there is a password assigned to the Administrator, a prompt to enter the printer displays. Enter the password to proceed.

---

4. Select the **Download** item, and then download the latest firmware.

The user can now download a new firmware bundle to the printer.



If download fails to Hard drive, follow instructions listed in **99.09.64** error

### 99.39.64 eMMC Nonfunctional

#### Description

The eMMC is not functioning.

#### Recommended action

Replace the eMMC.



---

**NOTE:** Device is unusable until a new eMMC is installed.

---

### 99.39.67 eMMC Not Bootable

#### Description

Data on the eMMC cannot be secured or encrypted.

When the Hard drive is installed all data on the eMMC is automatically migrated to the Hard drive and erased from the eMMC. As long as the Hard drive is installed the eMMC is non-functional.

The customer bypassed data migration and put eMMC back in.

#### Recommended action

1. Download firmware to the eMMC.
2. If download fails to eMMC, Replace the eMMC.



---

**NOTE:** Device is unusable until a new eMMC is installed.

---

### 99.XX.YY

#### Description

A message of this form indicates a firmware installation error.

#### Recommended action

Reload the firmware.

### Alpha Error Messages

#### ROM disk device failed To clear press “OK”

#### Description

The specified device failed.

#### Recommended action

Touch the **OK** button to clear the error.

#### <Binname> Full Remove all paper from bin X

#### Description

The specified output bin is full.

**Recommended action**

Empty the bin to continue printing.

**Accept bad signature****Description**

The printer is performing a remote firmware upgrade, and the code signature is invalid.

**Recommended action**

Download the correct firmware upgrade file for this printer, and then reinstall the upgrade. See the printer user guide for more information.

**Bad optional tray connection****Description**

The optional tray is not connected, not connected correctly, or a connection is not working correctly.

**Recommended action**

1. Turn the printer off.
2. Remove and then reinstall the optional tray.
3. Reconnect connectors for the tray.
4. If the problem continues, replace the connector for the tray.

**Cancelling****Description**

The printer is canceling the current job.

**Recommended action**

No action is necessary.

**Cancelling <JobName>****Description**

The printer is canceling the current job <jobname>.

**Recommended action**

No action is necessary.

**Cartridge Low****Description**

This message appears even though the print cartridge is new.

**Recommended action**

1. Remove, and then reinstall the print cartridge.
2. Make sure a genuine HP supply is used.
3. If the error persists, replace the print cartridge.

**Cartridge memory abnormal****Description**

This message appears even though the print cartridge is new.

**Recommended action**

1. Remove, and then reinstall the print cartridge.
2. Reconnect connector (J74) on the DC controller PCA.
3. If the error persists, replace the print cartridge.

**Cartridge out****Description**

This message appears even though the print cartridge is new.

**Recommended action**

1. Remove, and then reinstall the print cartridge.
2. Make sure a genuine HP supply is used.
3. If the error persists, replace the print cartridge.

**Check Engine****Description**

The printer is conducting an internal test.

**Recommended action**

No action is necessary.

**Checking Paper Path****Description**

The printer is checking for possible paper jams.

**Recommended action**

No action is necessary.

### Chosen personality not available To continue touch “OK”

#### Description

A print job requested a printer language (personality) that is not available for this printer. The job will not print and will be cleared from memory.

#### Recommended action

Print the job by using a print driver for a different language, or add the requested language to the printer (if possible). To see a list of available personalities, print a configuration page.

### Cleaning

#### Description

The printer is performing an automatic cleaning cycle. Printing will continue after the cleaning is complete.

#### Recommended action

No action is necessary.

### Cleaning do not grab paper

#### Description

The printer is performing an automatic cleaning cycle. Printing will continue after the cleaning is complete.

#### Recommended action

No action is necessary.

### Clearing event log

#### Description

This message is displayed while the event log is cleared. The printer exits the menus when the event log has been cleared.

#### Recommended action

No action is necessary.

### Clearing paper path

#### Description

The printer is attempting to eject jammed paper.

#### Recommended action

Check progress at the bottom of the display.

### Close stapler/stacker multi bin mailbox door

#### Description

This message appears even though the stapler/stacker multi bin mailbox door is closed.

**Recommended action**

1. Reconnect the connector (J465) on the stapler/stacker controller PCA.
2. Check the stapler/stacker door sensor flag. If the flag is damaged, replace the sensor flag.

**Close top cover****Description**

This message appears even though the top cover is closed.

**Recommended action**

1. Verify that the switch (SW101) is properly functioning (open and close the top cover). If the switch fails the test, replace the switch.
2. Make sure that the switch flag—at the right-side of the top cover assembly, behind the control-panel display—is not damaged or missing. If the flag is damaged or missing, replace the top cover assembly.
3. Reconnect the connector (J78) on the DC controller PCA.
4. If the problem persists, replace the top cover switch (SW101).

**Cooling device****Description**

The printer is cooling.

**Recommended action**

No action is necessary.

**Creating cleaning page...****Description**

A cleaning page is being generated.

**Recommended action**

No action is necessary.

**Data received To print last page press “OK”****Description**

The printer is waiting for the command to print the last page.

**Recommended action**

Touch the “OK” button to print the last page of the job.

**Event log is empty****Description**

No printer events are in the log.

**Recommended action**

No action is necessary.

**Expected drive missing****Description**

The printer cannot find the encrypted hard drive.

**Recommended action**

Install the encrypted hard drive.

**External device initializing****Description**

An external device is initializing.

**Recommended action**

No action necessary.

**Face Down Tray Full****Description**

This message is displaying even though the tray is not full.

**Recommended action**

1. Check the face down tray media full sensor flag and place it in the correct position to move smoothly. Replace sensor flag if damaged.
2. Use the Output bin full sensor (PS104) test in the Manual sensor test to verify that the sensor is properly functioning. If it is not, replace the sensor (PS104).



---

**NOTE:** When replacing the sensor, Check connector (J176) at face down tray media full sensor and DC controller PCA (J76) to make sure they are fully seated and the cable connectors are not damaged.

---

3. If error remains, replace the DC controller.

**FIM Load Error Send full FIM on <X> port****Description**

The printer displays this message before the firmware is loaded at startup if an error has occurred during a firmware upgrade.

**Recommended action**

Resend the firmware upgrade.

**Fuser Kit low****Description**

**10.23.60** (event code)

The printer indicates when a supply is low.

**Recommended action**

Replace the fuser.



**NOTE:** After replacing the fuser, reset the fuser page counter by selecting [New fuser kit](#) in the [Reset Supplies](#) sub-menu.

---

**Fuser Kit very low To continue, touch “OK”**

**Description**

**10.23.70** (event code)

The printer indicates when a supply is very low.



**NOTE:** After an HP supply has reached the very low threshold, the HP premium protection warranty for that supply has ended.

---

**Recommended action**

Replace the fuser.



**NOTE:** After replacing the fuser, reset the fuser page counter by selecting [New fuser kit](#) in the [Reset Supplies](#) sub-menu.

---

**Genuine HP cartridge installed**

**Description**

A new HP print cartridge has been installed. The message appears for about 6 seconds before the printer returns to the READY state.

**Recommended action**

No action necessary.

**Genuine HP supply installed**

**Description**

**10.XX.40** (event code)

A new genuine HP print cartridge has been installed.

**Recommended action**

Touch the [Hide](#) button to remove this message.

**HP Secure hard drive disabled**

**Description**

The drive has been encrypted for another printer.

**Recommended action**

Remove the drive or use the Embedded Web Server for more information.

## Incompatible <supply>

### Description

The indicated supply <supply> is not compatible with this printer.

- **10.00.35** (event code)  
Black print cartridge
- Fuser kit  
**10.23.35** (event code)

### Recommended action

Replace the supply with one that is designed for this printer.

## Incompatible supplies

### Description

Print cartridges or other supply items are installed that were not designed for this printer. The printer cannot print with these supplies installed.

Event codes are supply specific.

### Recommended action

Touch the **OK** button to identify the incompatible supplies.

Replace the supplies with those that are designed for this printer.

## Initializing...

### Description

The printer is starting.

### Recommended action

No action necessary.

## Install Black Cartridge

### Description

A supply item is either not installed or installed incorrectly.

- Black cartridge  
**10.00.15** (event code)

### Recommended action

Install the supply item or make sure that the installed supply item is fully seated.




## Install Fuser

### Description

The fuser has been removed or installed incorrectly.

### Recommended action

---

 **CAUTION:** The fuser can be hot while the printer is in use. Turn the printer off, and then wait for the fuser to cool before handling it.

---

1. Remove the output bin or stapler/stacker.
2. Remove the fuser entrance guide.
3. Remove the fuser.

## Install supplies

### Description

More than one supply is missing or is installed incorrectly.

### Recommended action

1. Touch the **OK** button to identify the supplies that need to be replaced.
2. Touch the **OK** button a second time for more information about the specific supply.
3. Insert the supply or make sure it is correctly installed and fully seated.

## Internal disk device failure To clear press “OK”

### Description

The internal disk failed.

### Recommended action

Touch the **OK** button to clear the error.

## Internal disk file operation failed

### Description

A PjL system command attempted to perform an illogical operation, such as downloading a file to a nonexistent directory.

### Recommended action

Touch the **OK** button to clear the error.

## Internal disk file system is full

### Description

A PjL system command attempted to write data to the internal disk but was unsuccessful because the disk is full.

**Recommended action**

Touch the **OK** button to clear the error.

**Internal disk is write protected****Description**

The internal disk is write protected and no new files can be written to it.

**Recommended action**

Touch the **OK** button to clear the error.

**Internal disk not found****Description**

The internal disk was not found at start up.

**Recommended action**

Turn the printer off, and then on again.

**Internal disk not functional****Description**

**82.OX.YY** (event code)

The internal hard drive is not correctly functioning.

**Recommended action**

Turn the printer off, remove and then reinstall the hard drive.

If the error persists, replace the internal hard drive.

**Internal disk not initialized****Description**

The internal disk file system must be initialized before it can be used.

**Recommended action**

Initialize the internal disk file system.

**Internal disk spinning up****Description**

Internal disk device is spinning up its platter. Jobs that require disk access must wait.

**Recommended action**

No action is necessary.

### Job not stapled due to mixed sizes

#### Description

This message is displayed when the job to staple has more than one paper size (paper width).

#### Recommended action

Paper with different widths cannot be stapled. Use the same width paper for the entire print job.

### Load Tray <X>: [Type], [Size]

#### Description

Load paper in Tray X as specified.

#### Recommended action

Load paper in specified Tray.

**If this message appears even though there is media loaded in the tray, perform the following.**

1. Use the sensor tests to verify that the sensor is correctly functioning.
2. Make sure that the sensor flag on the media presence sensor is not damaged and moves freely.
3. Reconnect the corresponding connector:
  - MP tray: connector (J191) on the MP tray media feed sensor and the connector (J91) on the DC controller PCA.
  - Printer cassette: connectors (J22) on the cassette media feed sensor and the connector (J1605) on the DC controller PCA.
  - 1 X 500-sheet paper feeder cassette: connector (J32) on the paper feeder cassette media feed sensor and the connector (J1602) on the paper feeder controller PCA.
  - Paper deck cassette 1: connector (J32) on the paper deck cassette 1 media feed sensor and connector (J1602) on the paper deck controller PCA 1
  - Paper deck cassette 2: connector (J13) on the paper deck cassette 2 media feed sensor and connector (J1607) on the paper deck controller PCA 2.
  - Paper deck cassette 3: connector (J13) on the paper deck cassette 3 media feed sensor and connector (J607) on the paper deck controller PCA 3.

### Load Tray <X>: [Type], [Size] To use another tray, press "OK"

#### Description

This message appears when the indicated tray is selected but is not loaded, and other paper trays are available for use. It also appears when the tray is configured for a different paper type or size than the print job requires.

**Recommended action**

1. Load the correct paper in the tray.
2. If prompted, confirm the size and type of paper loaded.
3. Otherwise, press the **OK** button to select another tray.

**Loading program <XX> Do not power off****Description**

Programs and fonts can be stored on the printer's file system and are loaded into RAM when the printer is turned on. The number <XX> specifies a sequence number indicating the current program being loaded.

**Recommended action**

No action necessary.



---

**NOTE:** Do not turn the printer off.

---

**Manually feed output stack Then touch "OK" to print second side****Description**

The printer has printed the first side of a manual duplex job and is waiting for the user to insert the output stack to print the second side.

**Recommended action**

1. Maintaining the same orientation, remove pages from the output bin.
2. Flip document printed side up.
3. Load document in Tray 1.
4. Touch the **OK** button to print the second side of the job.

**Manually feed: <Type><Size>****Description**

This message appears when manual feed is selected, Tray 1 is not loaded, and other trays are empty.

**Recommended action**

1. Load tray with requested paper.
2. If paper is already in tray, press the **Help** button to exit the message and then press the **OK** button to print.
3. To use another tray, clear paper from Tray 1, press the **Help** button to exit the message and then press the **OK** button.

**Manually feed: <Type><Size> To use another tray, press "OK"****Description**

This message appears when manual feed is selected, Tray 1 is loaded, and other trays are available.

**Recommended action**

Load tray with requested paper.

If paper is already in tray, press the **Help** button to exit the message and then press the **OK** button to print.

To use another tray, clear paper from Tray 1, press the **Help** button to exit the message and then press the **OK** button.

**Moving solenoid****Description**

The solenoid is moving as part of a component test.

**Recommended action**

To exit press **X**.

**Moving solenoid and motor****Description**

The solenoid and a motor are moving as part of a component test.

**Recommended action**

To exit press **X**.

**No job to cancel****Description**

You have pressed the stop button but the printer is not actively processing any jobs.

**Recommended action**

No action necessary.

**NON HP Supply Installed****Description**

**10.99.31** (event code)

This message is displayed for about 6 seconds when a new non HP supply is installed.

**Recommended action**

If you believe you purchased a genuine HP supply, go to [www.hp.com/go/anticounterfeit](http://www.hp.com/go/anticounterfeit).

**Output Bin Full****Description**

This message appears even though the output bin is not full.

**Recommended action**

1. Make sure that the output bin sensor flag is not damaged and can move freely. If the flag is damaged, replace the flag.
2. Use the output bin full sensor (PS104) test in the Manual sensor test to test the sensor. If it does not respond, replace the output bin full sensor (PS104).
3. Reconnect connector (J76) on the DC controller PCA.

**Paused...****Description**

The printer is paused, and there are no error messages pending at the display. The I/O continues receiving data until memory is full.

**Recommended action**

Press the **Stop** button.

**Performing Paper Path Test...****Description**

A paper-path test is being performed.

**Recommended action**

No action necessary.

**Please Wait...****Description**

The printer is in the process of clearing data.

**Recommended action**

No action necessary.

**Printing Configuration...****Description**

The printer is printing the Configuration page.

**Recommended action**

No action necessary.

**Printing engine test...****Description**

The printer is printing an engine test page.

**Recommended action**

No action necessary.

### Printing Event Log...

**Description**

The printer is printing the Event Log page.

**Recommended action**

No action necessary.

### Printing File Directory...

**Description**

The printer is printing the File Directory pages.

**Recommended action**

No action necessary.

### Printing Font List...

**Description**

The printer is printing the Font List pages.

**Recommended action**

No action necessary.

### Printing Fuser Test Page...

**Description**

The printer is printing the Fuser Test page.

**Recommended action**

No action necessary.

### Printing Help Page...

**Description**

The printer is printing the Help page.

**Recommended action**

No action necessary.

### Printing Menu Map...

**Description**

The printer is printing the Menu Map pages.

**Recommended action**

No action necessary.

### Printing Registration Page...

**Description**

The printer is printing the Registration pages.

**Recommended action**

No action necessary.

### Printing stopped...

**Description**

Time has expired on the Print/Stop test.

**Recommended action**

Touch the **OK** button to continue.

### Printing Supplies Status Page...

**Description**

The printer is printing the Supplies Status page.

**Recommended action**

No action necessary.

### Printing Usage Page...

**Description**

The printer is printing the Usage page.

**Recommended action**

No action necessary.

### Processing duplex job Do not grab paper until job completes

**Description**

Paper temporarily comes into the output bin while printing a duplex job.

---

 **CAUTION:** Do not grab paper as it temporarily comes into the output bin. The message disappears when the job is finished.

---

**Recommended action**

No action necessary.

### Processing job from tray <X>... Do not grab paper until job completes

**Description**

The printer is actively processing a job from the designated tray.



**Recommended action**

No action necessary.

**Processing...****Description**

The printer is currently processing a job but is not yet picking pages. When paper motion begins, this message is replaced by a message that indicates the tray the job is using.

**Recommended action**

No action necessary.

**Processing... copy <X> of <Y>****Description**

The printer is currently processing or printing collated copies. The message indicates that copy number <X> of total copies <Y> is currently being processed.

**Recommended action**

No action necessary.

**RAM disk device failure To clear press “OK”****Description**

The specified device failed.

**Recommended action**

Touch the **OK** button to remove the message.

**RAM disk file operation failed To clear press “OK”****Description**

A PDL command was received that attempted to perform an illegal operation, such as downloading a file to a nonexistent directory.

**Recommended action**

Touch the **OK** button to clear the error.

**RAM disk file system is full To clear press “OK”****Description**

The hard disk is full.

**Recommended action**

Touch the **OK** button to clear the error.

### RAM disk is write protected To clear press “OK”

#### Description

The device is protected and no new files can be written to it.

#### Recommended action

Touch the [OK](#) button to clear the error.

### RAM disk not initialized

#### Description

The RAM disk file system must be initialized before it can be used.

#### Recommended action

Initialize the RAM disk file system.

### Ready

#### Description

The printer is online and ready for data. No status or printer attendance messages are pending at the display.

#### Recommended action

No action necessary.

### Ready <IP Address>

#### Description

The printer is online and ready for data. No status or printer attendance messages are pending at the display. The printer IP address displays.

#### Recommended action

No action necessary.

### Receiving Upgrade

#### Description

The printer is receiving a firmware upgrade.

#### Recommended action

Do not turn the printer off until it reaches the [Ready](#) state.

### Remove one print cartridge

#### Description

The printer is testing the print-cartridge motor.

#### Recommended action

To perform the test, remove the print cartridge. To cancel the test, press the [Stop](#) button.

To exit press **X**.

## Remove USB accessory

### Description

This message displays when an unsupported USB device is inserted into a host USB port on the printer.

### Recommended action

Remove the unsupported USB device.

## Replace <supply>

### Description

This alert appears only if the printer is configured to stop when a supply reaches the very low threshold. The printer indicates when a supply level is at its estimated end of life. The actual life remaining might be different than estimated.

The supply does not need to be replaced now unless the print quality is no longer acceptable.

HP recommends that the customer have a replacement supply available to install when print quality is no longer acceptable.

The printer can be configured to stop when the supply level is very low. The supply might still be able to produce acceptable print quality.



---

**NOTE:** When an HP supply has reached its approximated end of life, the HP Premium Protection Warranty on that supply ends.

---

- **10.00.70** (event code)  
Black print cartridge
- **10.23.70** (event code)  
Fuser Kit

### Recommended action

Replace the specified supply.

Or, configure the printer to continue printing by using the [Manage Supplies](#) menu.

## Replace supplies

### Description

This alert appears only if the printer is configured to stop when a supply reaches the very low threshold. The printer indicates when a supply level is at its estimated end of life. The actual life remaining might be different than estimated.

The supply does not need to be replaced now unless the print quality is no longer acceptable.

HP recommends that the customer have a replacement supply available to install when print quality is no longer acceptable.



---

**NOTE:** When an HP supply has reached its approximated end of life, the HP Premium Protection Warranty on that supply ends.

---

Recorded event codes depend on which supplies are at the end of life.

- **10.00.70** (event code)  
Black print cartridge
- **10.23.70** (event code)  
Fuser Kit

**Recommended action**

Touch the [OK](#) button to find out which supplies need to be replaced.

Or, configure the printer to continue printing by using the [Manage Supplies](#) menu.

### Resend external accessory firmware

**Description**

An external accessory requires a firmware upgrade. Printing can continue, but jams might occur if the job uses the external accessory.

**Recommended action**

Perform a firmware upgrade.

### Resend Upgrade

**Description**

A firmware upgrade did not complete successfully.

**Recommended action**

Upgrade the firmware again.

### Restore Factory Settings

**Description**

The printer is restoring factory settings.

**Recommended action**

No action necessary.

### ROM disk file operation failed To clear press “OK”

**Description**

A PJI command was received that attempted to perform an illegal operation, such as downloading a file to a nonexistent directory.

**Recommended action**

Touch the [OK](#) button to clear the error.

### ROM disk file system is full To clear press “OK”

#### Description

The hard disk is full.

#### Recommended action

Touch the **OK** button to clear the error.

### ROM disk is write protected To clear press “OK”

#### Description

The device is protected and no new files can be written to it.

#### Recommended action

Touch the **OK** button to clear the error.

### ROM disk not initialized To clear press “OK”

#### Description

The ROM disk file system must be initialized before it can be used.

#### Recommended action

Initialize the ROM disk file system.

### Rotating Motor

#### Description

The printer is executing a component test and the component selected is a motor.

#### Recommended action

Press the **STOP** button when ready to stop this test.

To exit press **X**.

### Size Mismatch

#### Description

This message appears even though the correct size paper is loaded in the correct paper tray.

#### Recommended action

1. Use the Tray 2 size switch (SW102) test in the Tray/Bin manual sensor test to test the switch. If it does not respond, replace the lifter drive assembly.
2. Reconnect connector (J122) on the Tray 2 media size switch, and then reconnect connector (J72) on the DC controller.
3. If the error persists, replace the lifter drive assembly.

## Size mismatch in Tray <X>

### Description

The paper in the listed tray does not match the size specified for that tray.

### Recommended action

1. Load the correct paper.
2. Verify the paper is positioned correctly.
3. Close the tray, and then verify that the control panel lists the correct size and type for the specified tray.
4. If necessary, use the control-panel menus to re-configure the size and type settings for the specified tray.

## Sleep mode on

### Description

The printer is in sleep mode. Pressing a control-panel button, receiving of a print job, or an error condition clears this message.

### Recommended action

No action necessary.

## Staple Cartridge low

### Description

The printer indicates when a supply level is low. 20 to 50 staples remain in the cartridge.

### Recommended action

Replace the staple cartridge.

## Staple Cartridge very low

### Description

The printer staple cartridge is at end of life.



---

**NOTE:** After an HP supply has reached the very low threshold, the HP premium protection warranty ends.

### Recommended action

Replace the staple cartridge.

## Stapler/Stacker staple jam

### Description

A stapler/stacker jam exists.

### Recommended action

#### 13.89.33

Clear the jam. See the clear jams section in the service manual.

## Supplies low

### Description

Multiple supplies on the printer have reached the low threshold.

### Recommended action

Replace the supply when print quality is no longer acceptable.

## Supply low

### Description

The printer indicates when a supply level, or more than one supply, is low. Actual print cartridge life might vary. You do not need to replace the print cartridge at this time unless print quality is no longer acceptable.

When multiple supplies are low, more than one event code is recorded.

- **10.00.60** (event code)  
Black print cartridge
- **10.23.60** (event code)  
Fuser Kit

### Recommended action

If print quality is no longer acceptable, replace the supply.

HP recommends that the customer have a replacement supply available to install when print quality is no longer acceptable.



---

**NOTE:** When an HP supply has reached its approximated end of life, the HP Premium Protection Warranty ends.

---

## SUPPLY MEMORY WARNING

### Description

The printer cannot read or write to the e-label or the e-label is missing.

### Recommended action

No action necessary.

## Supply very low OR Supplies very low

### Description

The printer indicates when a supply level, or more than one supply, is very low. Actual print cartridge life might vary. You do not need to replace the print cartridge at this time unless print quality is no longer acceptable.

When multiple supplies are low, more than one event code is recorded.

- **10.00.70** (event code)  
Black print cartridge
- **10.23.70** (event code)  
Fuser Kit

#### **Recommended action**

If print quality is no longer acceptable, replace the supply.

HP recommends that the customer have a replacement supply available to install when print quality is no longer acceptable.



---

**NOTE:** When an HP supply has reached its approximated end of life, the HP Premium Protection Warranty ends.

---

### **The unit has corrupt data**

#### **Description**

**98.00.0X** (event code)

Data corruption has occurred in the firmware volume.

- **98.00.01**  
Corrupt data in the firmware volume.
- **98.00.02**  
Corrupt data in the solutions volume.
- **98.00.03**  
Corrupt data in the configuration volume.
- **98.00.04**  
Corrupt data in the job data volume.

#### **Recommended action**

- **98.00.01** or **98.00.02** or **98.00.03**
  1. Turn the printer off, and then on again.
  2. Use the [Clean Disk](#) item in the [Preboot](#) menu.
  3. Reload the firmware.
- **98.00.04**
  1. Turn the printer off, and then on again.
  2. Run the file erase function.



## Tray <X> empty: [Type], [Size]

### Description

The specified tray is empty and the current job does not need this tray to print.

- X = 1  
Tray 1
- X = 2  
Tray 2
- X = 3  
Tray 3
- X = 4  
Tray 4
- X = 5  
Tray 5

### Recommended action

Refill the tray at a convenient time.



**NOTE:** This could be a false message. If the tray is loaded without removing the shipping lock, the printer does not sense that the paper is loaded. Remove the shipping lock and then load the tray.

If the message continues when the paper tray is properly loaded perform the following.

1. Swap tray cassette with another from the printer that is the same size and check whether the error follows the cassette. Replace cassette tray as needed.
2. Try actuating the Tray paper present sensor flag (See Service manual) and check for any damage of the part. If it is damaged, Replace the pickup and feed assembly.
3. If the sensor actuates fine and the error still persists, perform Manual sensor test to test the paper presence sensor.
4. If it fails replace the Feed sensor cable or sensor as needed.

## Tray <X> lifting

### Description

The printer is in the process of lifting paper in the indicated tray.

- X = 2  
Tray 2
- X = 3  
Tray 3
- X = 4

Tray 4

- X = 5

Tray 5

**Recommended action**

No action necessary.

**Tray <X> open**

**Description**

The specified tray is open or not closed completely.

- X = 2

Tray 2

- X = 3

Tray 3

- X = 4

Tray 4

- X = 5

Tray 5

**Recommended action**

Close the tray.



---

**NOTE:** If this message appears after lifter drive assembly was removed or replaced, make sure that the connector on the assembly is correctly connected and fully seated.

---

If the error persists, use the Media size switches (SW102, SW2 , SW3, ) test in the Tray/Bin manual sensor test to test the switches. If they do not respond, replace associated the lifter drive assembly.

**Tray <X> overfilled**

**Description**

The tray is filled above the stack-height mark.

- X = 2

Tray 2

- X = 3

Tray 3

- X = 4

Tray 4

- X = 5

Tray 5

**Recommended action**

Remove enough paper so that the paper stack does not exceed the limit for the tray.



**NOTE:** If this message appears after lifter drive assembly was removed or replaced, make sure that the connector on the assembly is correctly connected and fully seated.

**Type mismatch Tray**

**Description**

The specified tray contains a paper type that does not match the configured type.

**Recommended action**

The specified tray will not be used until this condition is addressed. Printing can continue from other trays.

1. Load the correct paper in the specified tray.
2. At the control panel, verify the type configuration.

**Unsupported drive installed To continue, touch “OK”**

**Description**

A non-supported hard drive has been installed. The drive is unusable by this printer.

**Recommended action**

1. Turn the printer off.
2. Remove the hard drive.
3. Turn the printer on.

**Unsupported supply in use OR Unsupported supply installed To continue, touch “OK”**

**Description**

A non-supported supply has been installed.

OR

The print cartridge is for a different HP printer.

- XX = 00

Black print cartridge

**Recommended action**

Install the correct supplies for this printer. See the parts chapter in the service manual for supply part numbers.

### Unsupported tray configuration

#### Description

The printer has too many optional trays installed.

#### Recommended action

Turn the printer off, remove the unsupported trays, and then turn the printer on.

### Unsupported USB accessory detected Remove USB accessory

#### Description

A non-supported USB accessory has been installed.

#### Recommended action

Turn the printer off, remove the USB accessory, and then turn the printer on.

### Upgrade Error

#### Description

**30.01.36** (event code)

Scanner Control Board (SCB) upgrade error.

#### Recommended action

1. Turn the printer off, and then on.
2. Resend the upgrade.
3. If the error persists, replace the SCB.

### USB accessory not functional

#### Description

A parameter in the USB accessory is not correctly functioning.

#### Recommended action

1. Turn the printer off.
2. Remove the USB accessory.
3. Insert a replacement USB accessory.

### USB hubs are not fully supported Some operations may not work properly

#### Description

Some USB hubs require more power than the printer has available.

#### Recommended action

Remove the USB hub.

### **USB is write protected To clear press “OK”**

#### **Description**

The device is protected and no new files can be written to it.

#### **Recommended action**

Touch the **OK** button to clear the error.

### **USB needs too much power Remove USB and then turn off and on**

#### **Description**

A USB accessory is drawing too much electrical current. Printing cannot continue.

#### **Recommended action**

Turn the printer off, remove the USB accessory, and then turn the printer on.

Use a USB accessory that uses less power or that contains its own power supply.

### **USB not initialized**

#### **Description**

The USB device file system must be initialized before it can be used.

#### **Recommended action**

Use the EWS or HP Web Jetadmin to initialize the component.

### **USB storage accessory removed Clearing any associated data**

#### **Description**

This message displays for about 6 seconds after a USB device is removed.

#### **Recommended action**

Touch the **OK** button to remove this message.

### **USB storage device failure To clear press “OK”**

#### **Description**

The specified device failed.

#### **Recommended action**

Touch the **OK** button to clear this error.

### **USB storage file operation failed To clear press “OK”**

#### **Description**

A PJJ file system command was received that attempted to perform an illegal operation, such as downloading a file to a nonexistent directory.

**Recommended action**

Touch the **OK** button to clear this error.

**USB storage file system is full To clear press “OK”****Description**

The file system on the installed USB device is full.

**Recommended action**

Touch the **OK** button to clear this error.

**Used supply installed To continue, touch “OK” OR Used supply in use****Description**

One of the print cartridges has been previously used.

- XX = 00  
Black print cartridge

**Recommended action**

If you believe you purchased a genuine HP supply, go to [www.hp.com/go/anticounterfeit](http://www.hp.com/go/anticounterfeit).

**Waiting for tray <X> to lift****Description**

The specified tray is in the process of lifting paper to the top of the tray (so it can properly feed).

**Recommended action**

No action necessary.

**Windows Login Required to Use this Feature****Description**

Windows login required.

**Recommended action**

Enter your windows login.

## Tools for troubleshooting: Event log messages

See the control-panel message and event-log entries section of the product troubleshooting manual for event-log entry descriptions and solutions. The event log shows the last 50 events in descending order.

**Figure 2-98** Sample event log

**Event Log** **1** HP LaserJet M606 Page 1

Device Information

Device Serial **3** : XXXXXX **4**

<b>2</b> Number	<b>3</b> Date and Time	<b>4</b> Cycles	<b>5</b> Event	<b>6</b> Firmware	<b>7</b> Description or Personality	<b>8</b> Consecutive Repeats
50	1/2/2014 8:28:12 AM	62	40.08.00	2302176_420411	Secure file erase is disabled	0
49	1/2/2014 8:27:41 AM	61	10.99.34	2302176_420411	Used supply in use	0
48	1/2/2014 8:25:09 AM	0	32.08.A3	2302176_420411	Normal boot up	0
47	1/2/2014 8:25:06 AM	0	33.02.02	2302176_420411	Save/Recover disabled	0
46	1/2/2014 8:24:53 AM	0	99.06.01	2302176_420411	Finisher installation successful	0
45	1/2/2014 8:21:43 AM	61	32.08.A2	2302176_420411	Normal shutdown	0
44	12/19/2013 3:05:54 PM	61	10.99.34	2302176_420411	Used supply in use	0
43	12/19/2013 2:59:26 PM	0	32.08.A3	2302176_420411	Normal boot up	0
42	12/19/2013 2:59:24 PM	0	33.02.02	2302176_420411	Save/Recover disabled	0
41	12/19/2013 2:59:11 PM	0	99.06.01	2302176_420411	Finisher installation successful	0
40	12/19/2013 2:57:38 PM	61	32.08.A2	2302176_420411	Normal shutdown	0
39	12/19/2013 2:53:14 PM	61	10.99.34	2302176_420411	Used supply in use	0
38	12/19/2013 2:45:54 PM	0	32.08.A3	2302176_420411	Normal boot up	0
37	12/19/2013 2:45:52 PM	0	33.02.02	2302176_420411	Save/Recover disabled	0
36	12/19/2013 2:45:39 PM	0	99.06.01	2302176_420411	Finisher installation successful	0
35	12/19/2013 2:44:05 PM	61	32.08.A2	2302176_420411	Normal shutdown	0
34	12/19/2013 8:30:32 AM	60	40.08.00	2302176_420411	Secure file erase is disabled	0
33	12/18/2013 2:05:44 PM	59	10.99.34	2302176_420411	Used supply in use	0
32	12/18/2013 2:03:21 PM	0	32.08.A3	2302176_420411	Normal boot up	0
31	12/18/2013 2:03:18 PM	0	33.02.02	2302176_420411	Save/Recover disabled	0
30	12/18/2013 2:03:06 PM	0	99.06.01	2302176_420411	Finisher installation successful	0
29	12/18/2013 2:01:32 PM	59	32.08.A2	2302176_420411	Normal shutdown	0
28	12/18/2013 1:54:54 PM	59	10.99.34	2302176_420411	Used supply in use	0
27	12/18/2013 1:47:09 PM	0	32.08.A3	2302176_420411	Normal boot up	0
26	12/18/2013 1:47:07 PM	0	33.02.02	2302176_420411	Save/Recover disabled	0
25	12/18/2013 1:46:54 PM	0	99.06.01	2302176_420411	Finisher installation successful	0
24	12/18/2013 1:45:19 PM	59	32.08.A2	2302176_420411	Normal shutdown	0

Jan/6/2014 2:10:37 PM English (United States)

**Table 2-52** Sample event log page

Item	Description	Item	Description
1	Product information	5	Event log code
2	Event number	6	Firmware version number
3	Date and time	7	Description of personality
4	Engine cycles	8	Consecutive Repeats

## Print or view an event log



**NOTE:** The event log in using the [Administration](#) menu shows only a subset of events. For a complete event log, use the [Service](#) menu.

---

### Print the event log from the Administration menu (touchscreen control panel)

1. From the [Home](#) screen on the product control panel, scroll to and touch the [Administration](#) button.
2. Open the following menus:
  - [Troubleshooting](#)
  - [Event Log](#)
3. The event log displays on the screen. To print it, touch the [Print](#) button.

### Print the event log from the Administration menu (LCD control panel)

1. From the [Home](#) screen on the product control panel, use the down arrow ▼ button to scroll to [Administration](#), and then press the [OK](#) button.
2. Use the down arrow ▼ button to scroll to [Troubleshooting](#), and then press the [OK](#) button to select it.
3. With [Print Event Log](#) highlighted, press the [OK](#) button to print the page.

### Print the event log from the Service menu (touchscreen control panel)

1. From the [Home](#) screen on the product control panel, scroll to and touch the [Device Maintenance](#) button.
2. Open the [Service](#) menu.
3. On the sign-in screen, select the [Service Access Code](#) option from the drop-down list.
4. Enter the following service access code for the product:
  - 04060615
  - 04060515
  - 04060415
5. The event log displays on the screen. To print it, touch the [Print](#) button.

### Print the event log from the Service menu (LCD control panel)

1. From the [Home](#) screen on the product control panel, use the down arrow ▼ button to scroll to [Device Maintenance](#), and then press the [OK](#) button.
2. Use the down arrow ▼ button to scroll to [Service](#), and then press the [OK](#) button to select it.
3. Use the down arrow ▼ button to scroll to [Service Access Code](#), and then press the [OK](#) button to select it.
4. Enter the following service access code for the product:



**NOTE:** After entering the PIN, press the [OK](#) button.

---



- 04060615
- 04060515
- 04060415

5. With **Print Event Log** highlighted, press the **OK** button to print the page.

## Clear the event log


### Clear the event log from a touchscreen control panel

1. From the **Home** screen on the product control panel, scroll to and touch the **Device Maintenance** button.
2. Open the **Service** menu.
3. On the sign-in screen, select the **Service Access Code** option from the drop-down list.
4. Enter the following service access code for the product:
  - 04060615
  - 04060515
  - 04060415
5. Select the **Clear Event Log** item, and then touch the **OK** button.

### Clear the event log from a LCD control panel

1. From the **Home** screen on the product control panel, use the down arrow ▼ button to scroll to **Device Maintenance**, and then press the **OK** button.
2. Use the down arrow ▼ button to scroll to **Service**, and then press the **OK** button to select it.
3. Use the down arrow ▼ button to scroll to **Service Access Code**, and then press the **OK** button to select it.
4. Enter the following service access code for the product:

---

 **NOTE:** After entering the PIN, press the **OK** button.

---


- 04060615
  - 04060515
  - 04060415
5. Use the down arrow ▼ button to scroll to **Clear Event Log**, and then press the **OK** button.

# Solve image-quality problems

- [Improve print quality](#)

## Improve print quality


Use the information in this section to diagnose and solve image-quality problems.


 **NOTE:** Often print-quality problems can be resolved easily by making sure that the printer is well-maintained, using paper that meets HP specifications, or running a cleaning page.


## Repetitive image defect ruler

When troubleshooting the source of some print image defects, one solution is to identify if it is a repetitive defect (does the print quality defect appear multiple times on the printed page?). If this is the case, use a ruler to measure occurrences of repetitive image defects to help solve image-quality problems. For more information, see [Use a ruler to measure between repetitive defects on page 315](#).

Use a ruler to measure occurrences of repetitive image defects to help solve image-quality problems. Place the ruler next to the first occurrence of the defect on the page. Find the distance between identical defects and use the table below to identify the component that is causing the defect.

 **IMPORTANT:** Do not use solvents or oils to clean rollers. Instead, rub the roller with lint-free paper. If dirt is difficult to remove, rub the roller with lint-free paper that has been dampened with water.

 **NOTE:** Defects on the tray pickup rollers or the Tray 1 pickup roller do not cause a repetitive defect. Defects on these rollers cause a defect to appear only on the leading edge of the image.

 **TIP:** To make a product specific repetitive defect ruler, use a metric ruler to transfer the measurements in [Table 2-53 Repetitive defects on page 314](#) to a transparency or the edge of a piece of paper—clearly label each ruler mark with the associated defective assembly.

**Table 2-53 Repetitive defects**

Assembly	Distance between defects
Primary charging roller <sup>1</sup>	37.7 mm (1.5 in)
Transfer roller	47 mm (1.85 in)
Developer roller	63 mm (2.5 in)
Tray 1 pickup roller	63 mm (2.5 in)
Tray 1 feed roller	79 mm (3.1 in)
Tray 1 separation roller	
Tray 2 feed roller	79 mm (3.1 in)
Tray 2 pickup roller	
Tray 2 separation roller	
Fuser sleeve unit or pressure roller <sup>2</sup>	94 mm (3.75 in)

**Table 2-53 Repetitive defects (continued)**

Assembly	Distance between defects
Photosensitive drum <sup>1</sup>	94 mm (3.75 in)

<sup>1</sup> The primary charging roller and photosensitive drum cannot be cleaned because they are internal assemblies in the toner cartridge. If one of these assemblies is causing the defect, replace the toner cartridge.

<sup>2</sup> The primary fuser sleeve unit or pressure roller cannot be cleaned because they are internal assemblies in the fuser. If one of these assemblies is causing the defect, replace the fuser.

### Use a ruler to measure between repetitive defects

1. Identify a repetitive defect on the page.

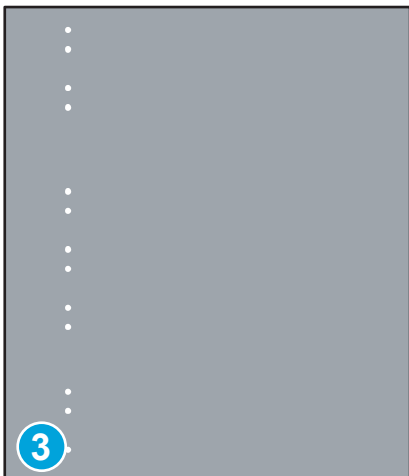
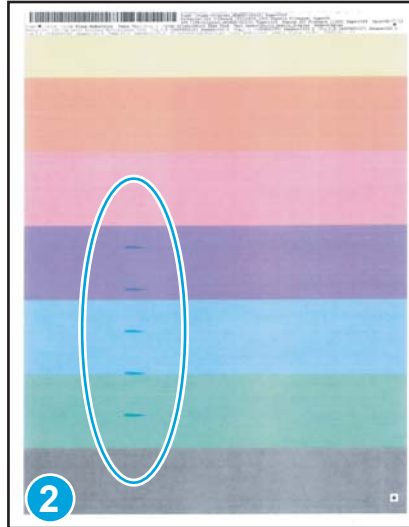
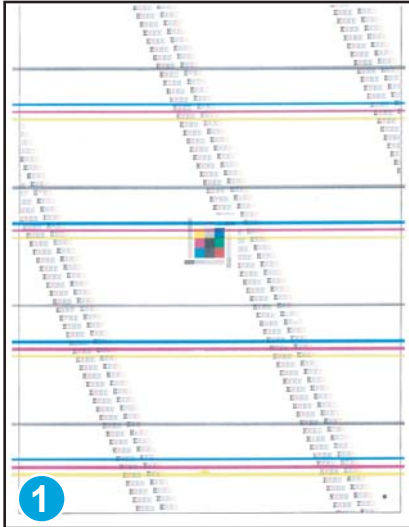
The example pages below show the following types of repetitive defects.



**NOTE:** These are examples only, other types of repetitive defects might appear on a page.

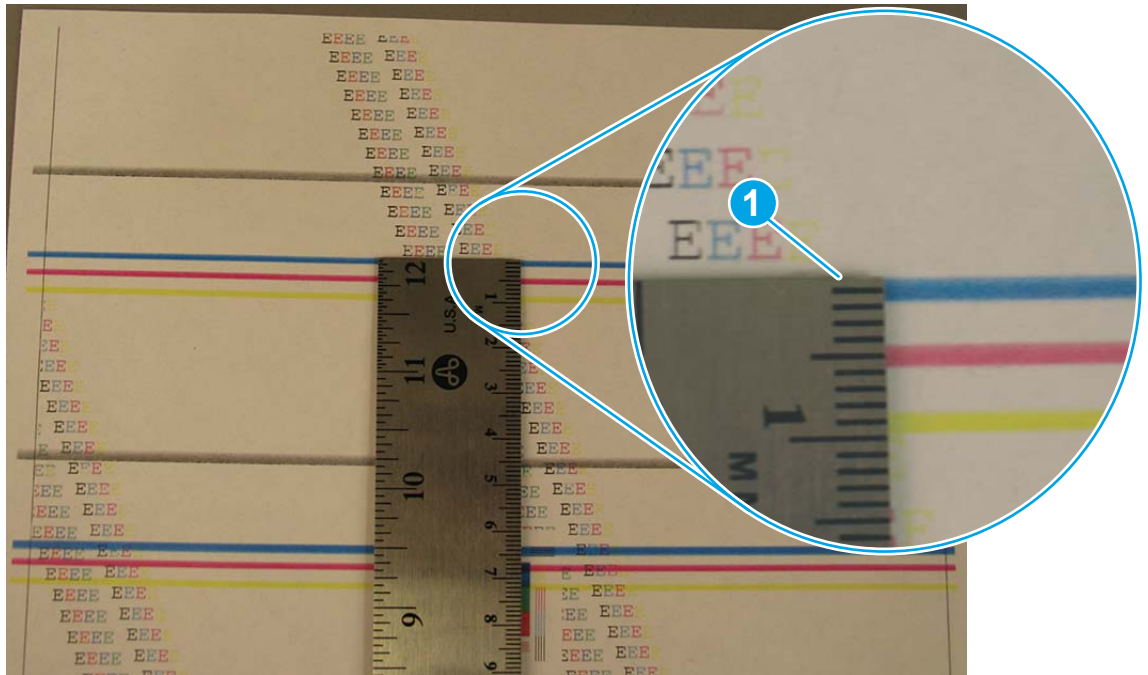
- Lines (callout 1)
- Smudges (callout 2)
- Dots or spots (callout 3)

**Figure 2-99** Examples of repetitive defects



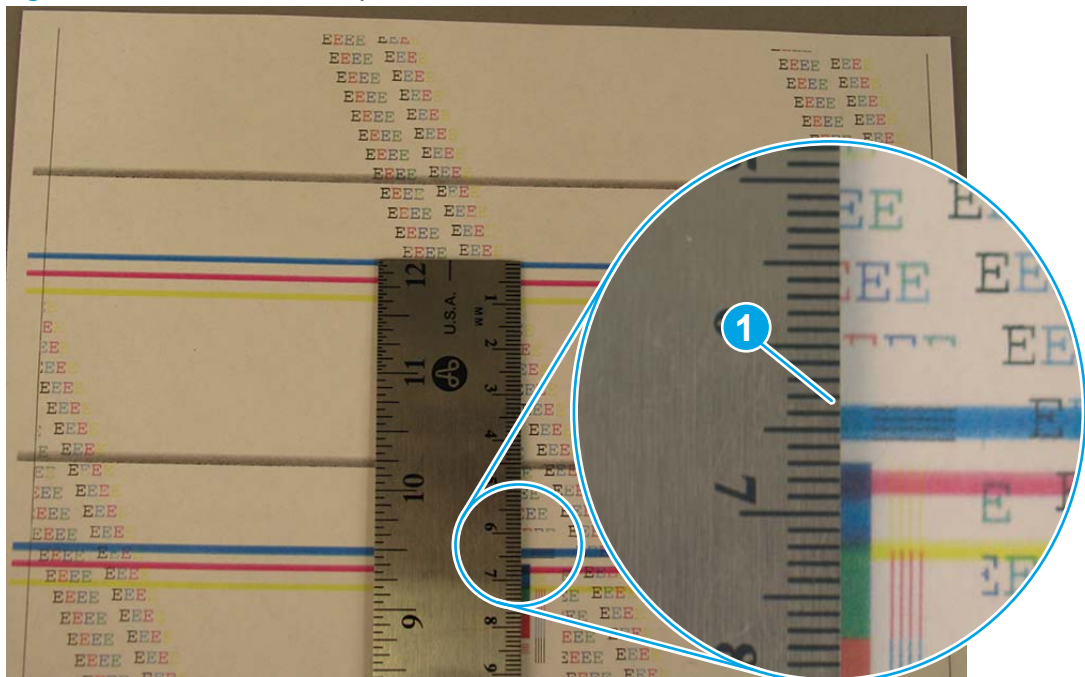
2. Position a metric ruler on the page with the “zero” ruler mark at one occurrence of the defect (callout 1).

**Figure 2-100** Place the ruler on the page




3. Locate the next occurrence of the defect (callout 1).

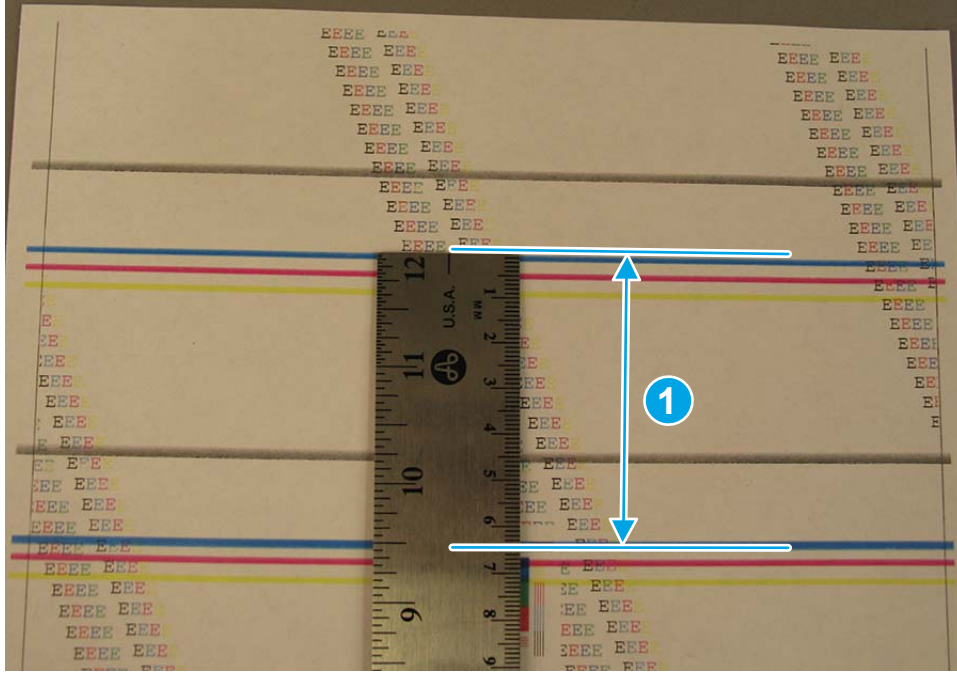
**Figure 2-101** Locate the next repetitive defect



4. Measure the distance (in millimeters) between the two occurrences (callout 1), and then use [Table 2-53 Repetitive defects on page 314](#) to determine the defective assembly.

 **TIP:** Always measure from and to the same point on the defects. For example, if the ruler is “zeroed” at the top edge of a defect, measure to the top edge of the next occurrence of that defect.

**Figure 2-102** Determine the defective assembly



## Print-quality troubleshooting pages

Use the print quality troubleshooting pages to help diagnose and solve print-quality problems.

 **NOTE:** To get further assistance in print quality troubleshooting, go to [www.hp.com/support/ljM604](http://www.hp.com/support/ljM604), [www.hp.com/support/ljM605](http://www.hp.com/support/ljM605), [www.hp.com/support/ljM606](http://www.hp.com/support/ljM606) and select PQ Troubleshooting Tools.

### Print the print-quality troubleshooting pages from a touchscreen control panel

1. From the **Home** screen on the printer control panel, scroll to and touch the **Administration** button.
2. Open the following menus:
  - **Troubleshooting**
  - **Print Quality Pages**
  - **Print PQ Troubleshooting Page**
3. Touch the **Print** button. The printer prints a print-quality troubleshooting procedure page and a black print-quality troubleshooting page.

### Print the print-quality troubleshooting pages from a LCD control panel

1. From the [Home](#) screen on the printer control panel, use the down arrow ▼ button to scroll to [Administration](#), and then press the [OK](#) button.
2. Use the down arrow ▼ button to scroll to [Troubleshooting](#), and then press the [OK](#) button.
3. Use the down arrow ▼ button to scroll to [Print Quality Pages](#), and then press the [OK](#) button to print the page.
4. Use the down arrow ▼ button to scroll to [Print PQ Troubleshooting Page](#), and then press the [OK](#) button to print the page.



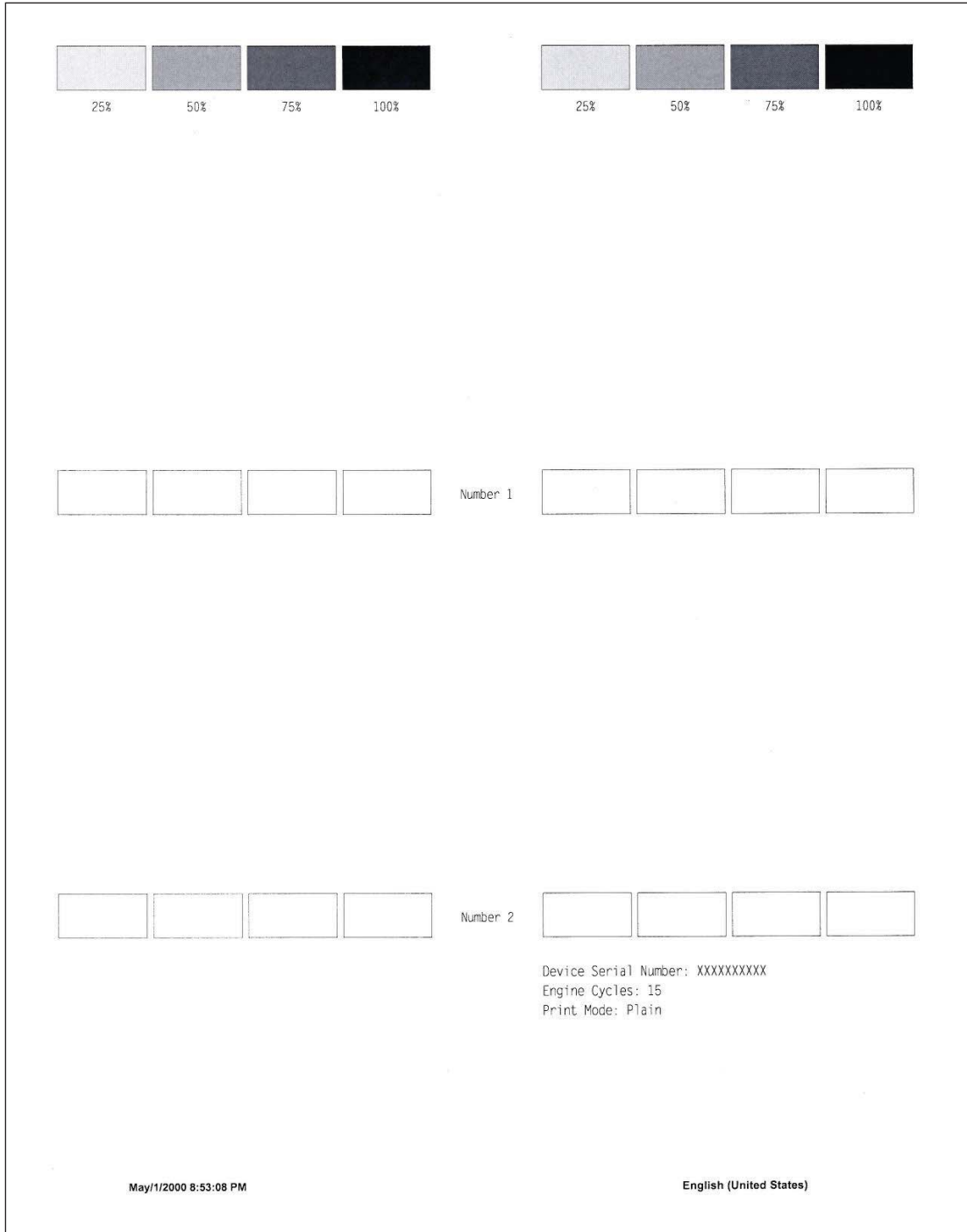
**NOTE:** The printer returns to the **Ready** state after printing the print-quality-troubleshooting pages. Follow the instructions on the pages that print out.

---





**Figure 2-104** Black print-quality troubleshooting page



**Grids**

The grids are in inches and millimeters. They are labeled with letters and numbers so that defects can be described by position and by distance between repeats.

**Grey scale ramp patches**

Used to detect offset for the OPC or developer in the toner cartridge or offset in the fuser.

## Print from a different software program

Try printing from a different software program. If the page prints correctly, the problem is with the original software program.

## Check the paper-type setting for the print job

Check the paper type setting when printing from a software program and the printed pages have smears, fuzzy or dark print, curled paper, scattered dots of toner, loose toner, or small areas of missing toner.

### Check the paper type setting (Windows)

1. From the software program, select the **Print** option.
2. Select the printer, and then click the **Properties** or **Preferences** button.
3. Click the **Paper/Quality** tab.
4. From the **Paper Type** drop-down list, click the **More...** option.
5. Expand the list of **Type is:** options.
6. Expand the category of paper types that best describes your paper.
7. Select the option for the type of paper you are using, and click the **OK** button.
8. Click the **OK** button to close the **Document Properties** dialog box. In the **Print** dialog box, click the **OK** button to print the job.

### Check the paper type setting (Mac OS X)

1. Click the **File** menu, and then click the **Print** option.
2. In the **Printer** menu, select the printer.
3. By default, the print driver displays the **Copies & Pages** menu. Open the menus drop-down list, and then click the **Finishing** menu.
4. Select a type from the **Media Type** drop-down list.
5. Click the **Print** button.

## Check toner-cartridge status

### Print the supplies status page from a touchscreen control panel

1. From the [Home](#) screen on the printer control panel, scroll to and touch the [Administration](#) button.
2. Open the following menus:
  - [Reports](#)
  - [Configuration/Status Pages](#)
3. Touch [Supplies Status Page](#), and then press the [Print](#) button to print the page.

### Print the supplies status page from a LCD control panel

1. From the [Home](#) screen on the printer control panel, use the down arrow ▼ button to scroll to [Administration](#), and then press the [OK](#) button.
2. Open the following menus:
  - [Reports](#)
  - [Configuration/Status Pages](#)
3. Use the down arrow ▼ button to scroll to [Supplies Status](#), and then press the [OK](#) button to select it.
4. Use the up arrow ▲ button to scroll to [Print](#), and then press the [OK](#) button to print the page.

Check the supplies status page for the following information:

- Estimated percentage of cartridge or cartridges life remaining
- Approximate pages remaining
- Part number or numbers for HP toner cartridge or cartridges
- Number of pages printed

### Clean the printer

During the printing process paper, toner, and dust particles can accumulate inside the printer and can cause print-quality issues such as toner specks or spatter, smears, streaks, lines, or repeating marks.

### Print a cleaning page

#### Print the cleaning from a touchscreen control panel

1. From the [Home](#) screen on the printer control panel, scroll to and touch the [Device Maintenance](#) button.
2. Open the following menus:
  - [Calibration/Cleaning](#)
3. Touch [Cleaning Page](#), and then press the [OK](#) button to print the page.
4. The cleaning process can take several minutes. When it is finished, discard the printed page.


#### Print the cleaning page from a LCD control panel

1. From the [Home](#) screen on the printer control panel, use the down arrow ▼ button to scroll to [Device Maintenance](#), and then press the [OK](#) button.
2. Use the down arrow ▼ button to scroll to [Calibration/Cleaning](#), and then press the [OK](#) button.
3. If necessary, use the down arrow ▼ button to scroll to [Cleaning](#), and then press the [OK](#) button to print the page.
4. Follow the instruction on the printed cleaning page to finish the cleaning page process.

## Visually inspect the toner cartridge or cartridges

1. Remove the toner cartridge or cartridges from the printer, and verify that the sealing tape has been removed.
2. Check the memory chip for damage.
3. Examine the surface of the imaging drum on the cartridge.

---

 **CAUTION:** Do not touch the roller (imaging drum). Fingerprints on the imaging drum can cause print-quality problems.

---

4. If you see any scratches, fingerprints, or other damage on an imaging drum, replace the toner cartridge or cartridges.
5. If the imaging drum does not appear to be damaged, rock the toner cartridge or cartridges gently several times and reinstall it. Print a few pages to see if the problem has resolved.

## Check paper and the printing environment

### Step one: Use paper that meets HP specifications

- Always use a paper type and weight that this printer supports.
- Use paper that is of good quality and free of cuts, nicks, tears, spots, loose particles, dust, wrinkles, voids, staples, and curled or bent edges.
- Use paper that has not been previously printed on.
- Use paper that does not contain metallic material, such as glitter.
- Use paper that is designed for use in laser printers. Do not use paper that is designed only for use in Inkjet printers.
- Use paper that is not too rough. Using smoother paper generally results in better print quality

### Step two: Check the environment

The environment can directly affect print quality and is a common cause for print-quality or paper-feeding issues. Try the following solutions:

- Move the printer away from drafty locations, such as open windows or doors, or air-conditioning vents.
- Make sure the printer is not exposed to temperatures or humidity outside of printer specifications.
- Do not place the printer in a confined space, such as a cabinet.
- Place the printer on a sturdy, level surface.
- Remove anything that is blocking the vents on the printer. The printer requires good air flow on all sides, including the top.
- Protect the printer from airborne debris, dust, steam, grease, or other elements that can leave residue inside the printer.

## Use manual print modes

Try the following manual print modes to see if they solve the image-quality problems.



**NOTE:** Tray 1 and Tray 2 are optimal for paper pickup when using special paper or media other than 20lb plain paper. For Tray 1 and Tray 2 the printer increases the number of attempts to pickup a page, which increases the reliability of successfully picking the page from the tray and decreases the possibility of a mis-pick jam.

HP recommends using Tray 1 or Tray 2 if the printer is experiencing excessive or reoccurring jams from trays other than Tray 1 and Tray 2, or for print jobs that require media other than 20lb plain paper.

### Select a manual print mode from a touch screen control panel

1. From the [Home](#) screen on the printer control panel, scroll to and touch the [Administration](#) button.
2. Open the following menus:
  - [General Settings](#)
  - [Print Quality](#)
  - [Adjust Paper Types](#) or [Optimize](#)
3. Select a paper type, and then select the mode to adjust.
4. Select a value for the mode, and then touch the [Save](#) button.

### Select a manual print mode from a LCD control panel

1. From the [Home](#) screen on the printer control panel, use the down arrow ▼ button to scroll to [Administration](#), and then press the [OK](#) button.
2. Use the down arrow ▼ button to scroll to [General Settings](#), and then press the [OK](#) button.
3. Use the down arrow ▼ button to scroll to [Print Quality](#), and then press the [OK](#) button.
4. Use the down arrow ▼ button to scroll to [Adjust Paper Types](#) or [Optimize](#), and then press the [OK](#) button.

**Table 2-54** Print modes under the **Adjust Paper Types** submenu

---

Print Mode	<ul style="list-style-type: none"><li>• Plain</li><li>• HP EcoSMART Lite</li><li>• Light 60–74g</li><li>• Intermediate 85–90g</li><li>• Mid Weight 96–110g</li><li>• Heavy 111–130g</li><li>• Extra Heavy 131–175g</li><li>• Cardstock 176–220</li><li>• Mono Transparency</li><li>• Labels</li><li>• Shelf Edge Labels</li><li>• Letter Head</li><li>• Envelope</li><li>• Preprinted</li><li>• Prepunched</li><li>• Colored</li><li>• Bond</li><li>• Recycled</li><li>• Rough</li><li>• Restore Modes</li></ul>
------------	--

---

**Table 2-55** Print modes under the **Optimize** submenu

---




Line Detail	<p>Use this item when a toner explosion image defect occurs. The default setting is <b>Normal</b>.</p> <p>Use the <b>Alternate</b> setting if the defect occurs because of poor quality paper, or the printer is installed in a high humidity environment.</p>
Restore Optimize	Use <b>Restore Optimize</b> to reset the menu defaults.

---


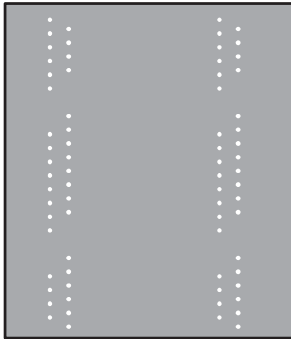
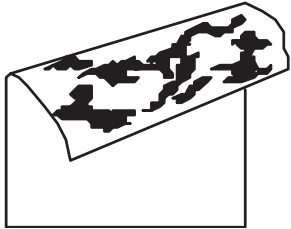
## Image defects table

The following examples depict letter-size paper that has passed through the printer short-edge first. These examples illustrate problems that would affect all the printed pages, whether they are printed in color or in black only.

**Table 2-56 Image defects table**

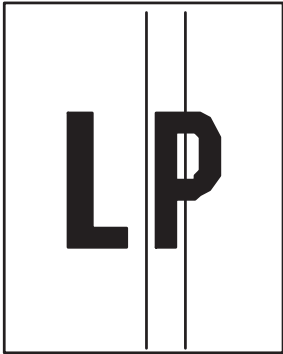
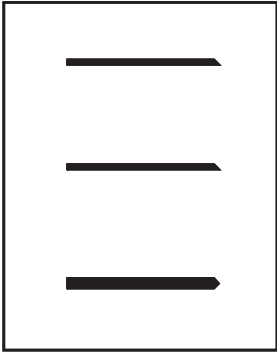

Problem	Sample	Cause	Solution
Print is light or faded on entire page.		Poor contact exists between the transfer roller and its shaft.	Clean the contact. If the problem remains after cleaning, check the contact for damage. Replace any deformed or damaged parts.
Image is too dark.		Poor contact exists in the primary charging bias or developing bias contacts between the toner cartridge and the printer.	Clean each toner cartridge contact. If the problem remains after cleaning, check the contacts for damage. Replace any deformed or damaged parts. Replace the toner cartridge.
Page is blank.		<p>Poor developing bias contact exists with the cartridge.</p> <p>The laser shutter open-close projection part of the cartridge is damaged.</p> <p>The laser shutter arm and the laser shutter are malfunctioning or damaged.</p> <p>The laser/scanner is defective.</p>	<p>Clean the contact. If the problem remains after cleaning, check the contact for damage. Replace any deformed or damaged parts.</p> <p>Replace the toner cartridge.</p> <p>If the laser shutter arm or the laser shutter does not move smoothly or if any part is damaged, replace any defective part.</p> <p>Replace the laser/scanner.</p>

**Table 2-56 Image defects table (continued)**




<b>Problem</b>	<b>Sample</b>	<b>Cause</b>	<b>Solution</b>
The page all black.		Poor contact exists in the primary charging bias or developing bias contacts between the toner cartridge and the printer.	Clean each contact. If the problem remains after cleaning, check the contacts for damage. Replace any deformed or damaged parts. Replace the toner cartridge.
		The primary charging roller is defective.	Replace the toner cartridge.
White spots appear in an image		Poor contact exists in the static charge eliminator.	Clean the contact.
		The transfer roller is deformed or has deteriorated.	Replace the transfer roller.
		Poor contact exists between the transfer roller and its shaft.	Clean the contact.
The back of the page is dirty.		The paper is dirty.	Use clean paper that meets HP specifications and that has been stored properly.
		Dirt on the leading edge of the page might signify that dirt exists on the cassette pickup roller.	Clean the cassette pickup roller. If the dirt does not come off, replace the roller.
		Repetitive defects might indicate that dirt exists on the cassette feed roller, feed roller, Tray1 separation roller, pre-registration roller, transfer roller, or pressure roller.	Use the repetitive defects ruler to identify the dirty roller and then clean it. If the dirt does not come off, replace the roller.
		The feed belt, feed guide, or fuser inlet guide is dirty.	Clean the dirty part.



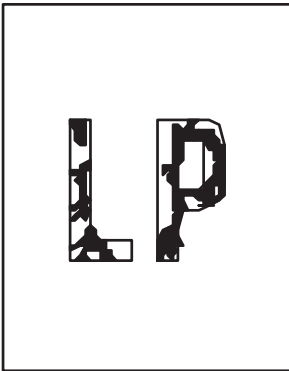
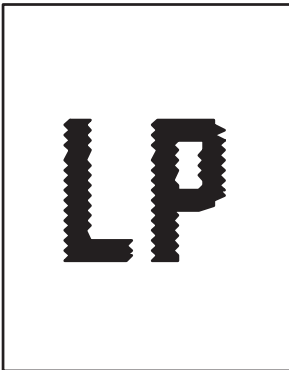


**Table 2-56 Image defects table (continued)**

Problem	Sample	Cause	Solution
Vertical streaks or bands appear on the page.		Scratches are present on the circumference of the photosensitive drum.	Replace the toner cartridge.
		The fuser inlet guide is dirty. Scratches on the fuser sleeve.	Clean the fuser inlet guide. Remove the cause of the scratches, and then replace the fuser.
Horizontal lines or bands appear on the page.		Horizontal scratches on the photosensitive drum.	Replace the toner cartridge.
		The fuser sleeve is dirty, deformed or worn.	Replace the fuser.
The front of the page is dirty.		Dirt on leading edge of image (MP tray pickup roller).	Clean the MP tray pickup roller. If the dirt does not come off, replace the roller.
		Repetitive dirt (cassette separation roller, feed roller, MP tray feed roller, pre-registration roller, fuser sleeve or cartridge).	Use the repetitive defects ruler to identify the dirty roller. Clean the dirty part. If the dirt does not come off, replace the corresponding part.
		The delivery roller is dirty.	Clean the delivery roller.

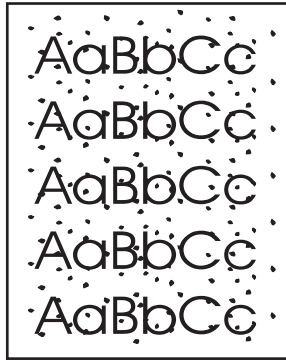

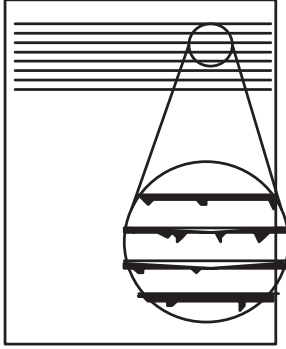

**Table 2-56 Image defects table (continued)**

<b>Problem</b>	<b>Sample</b>	<b>Cause</b>	<b>Solution</b>
Dropouts appear.		The transfer roller is dirty, deformed or has deteriorated.	Replace the transfer roller.
		Poor toner sensor contact exists with the cartridge.	Clean the contact.
		The photosensitive drum, primary charging roller, developing roller or toner sensor is defective.	Replace the toner cartridge.
		Scratches or foreign substance on the fuser sleeve.	Replace the fuser.
Vertical white lines appear in a particular color.		Scratches exist on the circumference of the photosensitive drum.	Replace the toner cartridge.
		The developing roller is defective.	
		Dirt is adhering to the laser beam window.	Clean the laser beam window.
		Foreign substance adheres to the fuser inlet guide or the guide is dirty.	Clean the fuser inlet guide.
		Scratches or foreign substance on the fuser sleeve.	Replace the fuser.
A horizontal white line appears on the page.		Horizontal scratches are present on the photosensitive drum.	Replace the toner cartridge.
		The fuser sleeve is defective.	Replace the fuser.


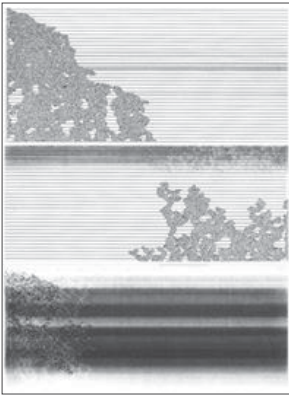
**Table 2-56 Image defects table (continued)**

Problem	Sample	Cause	Solution
The toner is not fully fused to the paper.		<p>The pressure roller is dirty.</p> <hr/> <p>The fuser roller or pressure roller is scarred or deformed.</p>	<p>Perform the pressure roller cleaning procedure. If the dirt does not come off, replace the pressure roller.</p> <hr/> <p>Replace the fuser.</p>
The printed page contains misformed characters.		<p>A poor connection exists on the laser/scanner assembly.</p> <hr/> <p>A poor connection exists on the DC controller PCA.</p> <hr/> <p>The laser/scanner unit is defective.</p>	<p>Reconnect the following laser/scanner assembly connectors: J143, J144, and J145.</p> <hr/> <p>Reconnect the following DC controller PCA connectors: J86 and J93.</p> <hr/> <p>Replace the laser/scanner.</p>
The printed page contains wrinkles or creases.		<p>The roller or paper feed guide is dirty.</p> <hr/> <p>A feed roller is deformed or has deteriorated.</p> <hr/> <p>The paper feed guide is damaged.</p>	<p>Clean any dirty components.</p> <hr/> <p>Replace any deformed or deteriorated rollers.</p> <hr/> <p>Replace the paper-feed-guide unit.</p>
Repetitive horizontal lines		<p>A roller is dirty.</p>	<p>See repetitive image defect table. Clean the indicated roller. If the contaminate does not come off, replace the appropriate roller or assembly.</p>

**Table 2-56 Image defects table (continued)**

Problem	Sample	Cause	Solution
Pages have flecks of toner		Residual toner exists in the paper path.	Execute a cleaning page to clean the contaminants off the fuser. The cleaning page might need to be run several time to clean the fuser. Do not replace the fuser.  <b>NOTE:</b> Cleaning the fuser with HP Tough Paper provides better results than with plain paper. You might need to execute the cleaning process several times to remove all contaminants on the fuser.
Pages have flecks of toner down the right side		The fuser is dirty.	Clean the fuser. If the error persists, replace the fuser.
Toner smears appear on the paper.		The printer has residual paper. The fuser inlet guide is dirty.	Remove the residual paper. Clean the fuser inlet guide.
Text or graphics are skewed on the printed page.		The registration shutter spring is unhooked. The registration shutter spring is deformed.	Check the spring and place it in the correct position. Replace the transfer assembly.

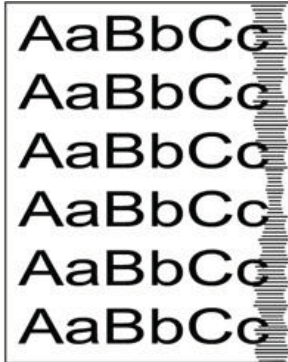
**Table 2-56 Image defects table (continued)**

Problem	Sample	Cause	Solution
Smearred toner or water-like marks.		<p>Printing in a high temperature/ high humidity environment and/or with paper which has been exposed to a high temperature/ high humidity environment.</p> <p>Paper acclimated to this type of environment has a high moisture content, which can cause the paper to curl as it enters the fuser.</p>	<p>Replace the paper with a unopened package of paper that is acclimated to the environment where the printer is operating.</p> <p>Printing the job using different paper (75 g/m2 or heavier).</p> <p>If the error persists, the printer might need to be moved to an area of lower temperature/humidity.</p>
Bubble or cloud print.		<p>Bubble print is most often related to poor grounding of the toner cartridge and is typically caused by damaged grounding contacts.</p>	<ol style="list-style-type: none"> <li>1. Inspect the grounding contacts inside the printer. Look for damaged, loose, misaligned, contaminated, or obstructed contacts. Clean contaminated</li> </ol>

Randomly-shaped smears that meander, but are mostly in the feed direction. The smears resemble a mark made by water droplets. They might be described as looking like a snail or slug mark on the page.

Customers might describe an image quality defect that resembles bubbles. This defect typically starts near the edges of the pages, but in severe cases it might cover most or all the page.

**Table 2-56 Image defects table (continued)**

Problem	Sample	Cause	Solution
Tire Tracks.		<p>This defect typically occurs when the toner cartridge has far exceeded its rated life.</p>	<p>contacts. If possible, repair bent or mis aligned contacts.</p> <ol style="list-style-type: none"> <li>2. Verify that the grounding contacts or springs are properly positioned such that they make positive contact with the grounding point on the cartridge.</li> <li>3. Inspect the cartridge itself to make sure that the grounding points are not damaged, contaminated or obstructed. If damaged, replace the cartridge.</li> <li>4. If another cartridge is available, test the printer using that cartridge.</li> <li>5. If the error persists, escalate the problem to the Global Business Unit.</li> </ol> <p>Replace the toner cartridge.</p>

# Clean the printer



**NOTE:** To clean the printer exterior, use a soft, water-moistened cloth.

- [Clean the paper path](#)
- [Print a cleaning page](#)
- [Clean the Tray 1 rollers](#)
- [Clean the Tray 2-X rollers](#)
- [Clean the 1,500-sheet high capacity input \(HCI\) feeder rollers](#)

## Clean the paper path

Over time, particles of toner and paper accumulate inside the printer. This can cause print-quality problems during printing. Cleaning the paper path eliminates or reduces these problems.

Clean the paper path and toner-cartridge areas every time that the toner cartridge is changed or whenever print-quality problems occur. As much as possible, keep the printer free from dust and debris.

## Print a cleaning page

### Print the cleaning from a touchscreen control panel

1. From the [Home](#) screen on the printer control panel, scroll to and touch the [Device Maintenance](#) button.
2. Open the following menus:
  - [Calibration/Cleaning](#)
3. Touch [Cleaning Page](#), and then press the [OK](#) button to print the page.
4. The cleaning process can take several minutes. When it is finished, discard the printed page.

### Print the cleaning page from an LCD control panel

1. From the [Home](#) screen on the printer control panel, use the down arrow ▼ button to scroll to [Device Maintenance](#), and then press the [OK](#) button.
2. Use the down arrow ▼ button to scroll to [Calibration/Cleaning](#), and then press the [OK](#) button.
3. If necessary, use the down arrow ▼ button to scroll to [Cleaning](#), and then press the [OK](#) button to print the page.
4. Follow the instruction on the printed cleaning page to finish the cleaning page process.

## Clean the Tray 1 rollers

### Step 1: Remove the Tray 1 rollers

**CAUTION:** When handling the rollers, avoid touching the roller surfaces. Skin oils and fingerprints on a roller surface can cause print-quality problems.

1. Open the front cover.

**Figure 2-105** Open the front cover



2. Rotate the spring-loaded cover downward to gain access to the separation roller.

**NOTE:** The envelope feeder cover is not shown in this figure. The cover might be installed in this area (callout 1) on some printers.

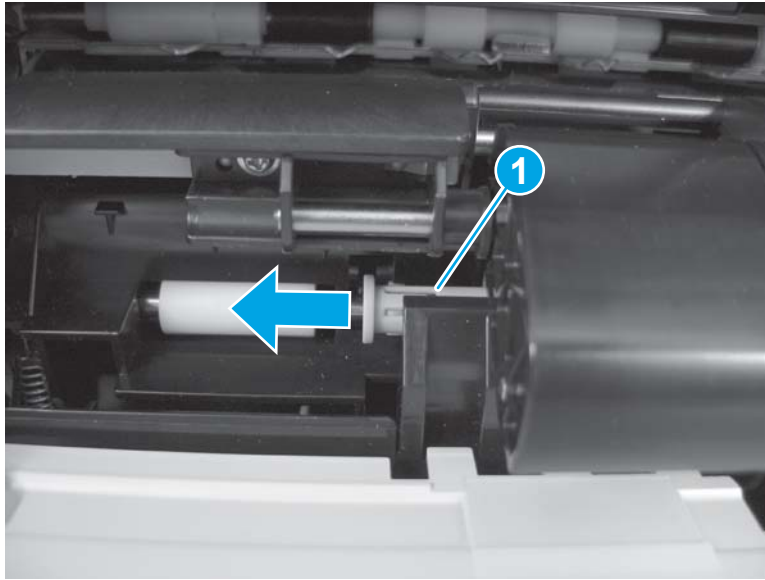
**Figure 2-106** Open the separation roller cover





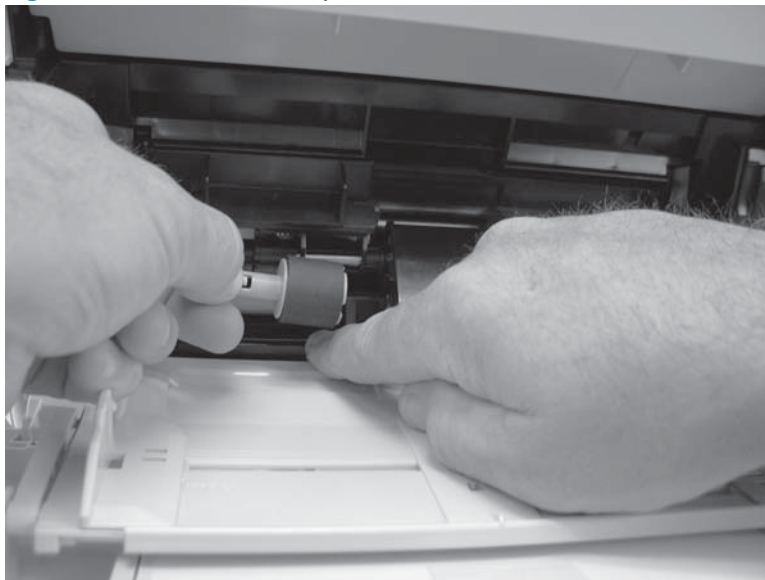
3. Slide the separation roller (callout 1) to the left.

**Figure 2-107** Slide the separation roller



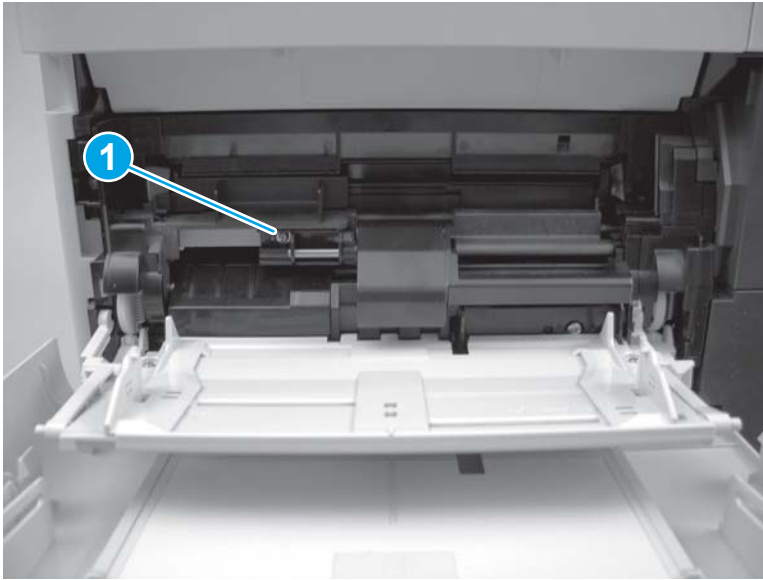
4. Remove the separation roller.

**Figure 2-108** Remove the separation roller



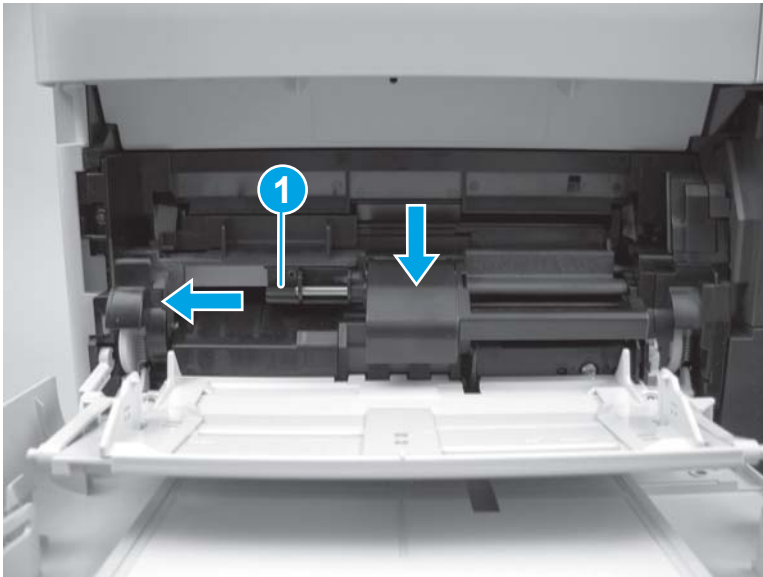
5. Remove one screw (callout 1).

**Figure 2-109** Remove one screw



6. Push down on the roller-shaft bushing (callout 1) to release two alignment pins, and then slide the bushing to the left and off of the shaft to remove it.

**Figure 2-110** Remove the bushing



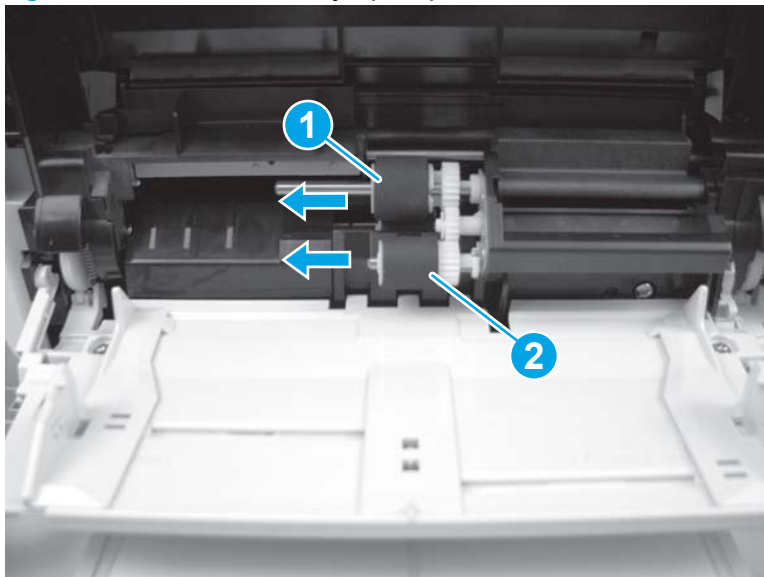
7. Slide the Tray 1 rollers cover slightly to the left to release it, and then lift the cover up to remove it.

**Figure 2-111** Remove the cover



8. Slide the Tray 1 pickup roller (callout 1) and the feed roller (callout 2) to the left and off of the shafts to remove them.

**Figure 2-112** Remove the Tray 1 pickup and feed rollers

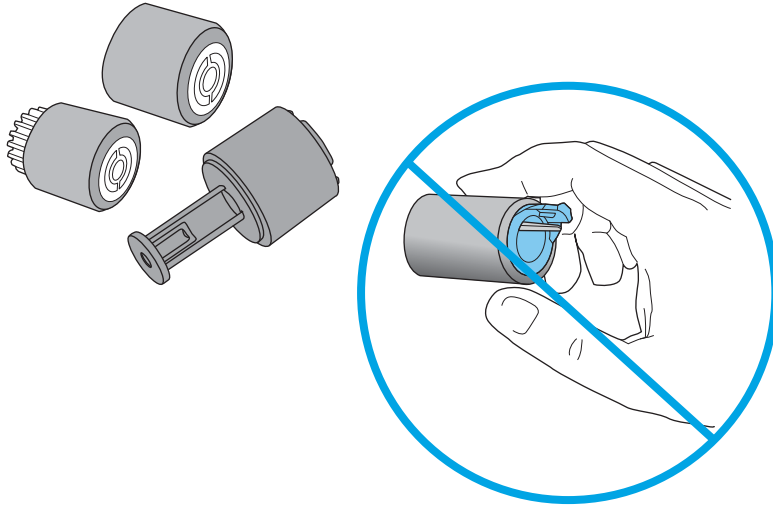


## Step 2: Clean the Tray 1 rollers

- ▲ Use a damp, lint-free cloth to gently clean the rollers.

**CAUTION:** When handling the rollers, avoid touching the roller surfaces. Skin oils and fingerprints on a roller surface can cause print-quality problems.

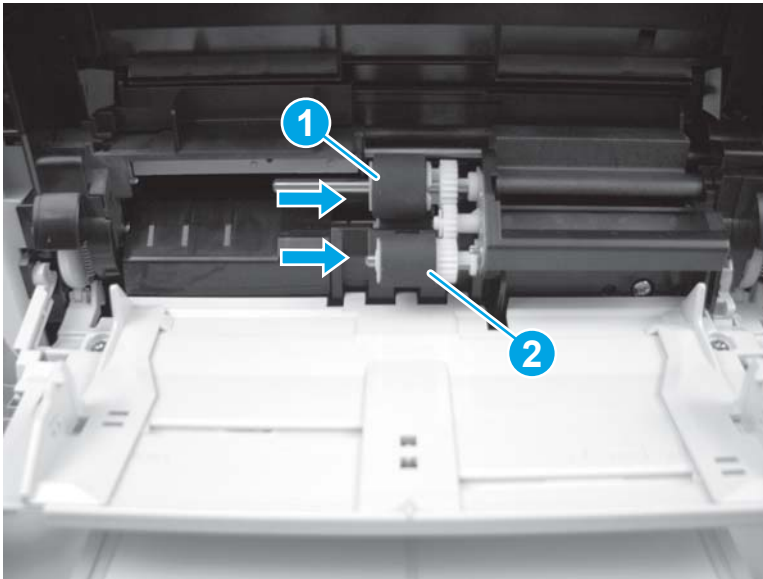
**Figure 2-113** Clean the rollers



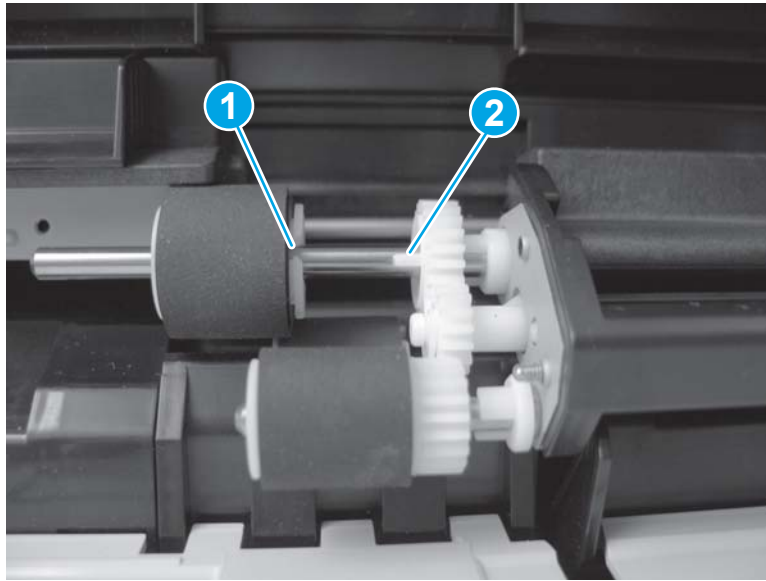
### Step 3: Install the Tray 1 rollers

1. Slide the Tray 1 pickup roller (callout 1) and the feed roller (callout 2) to the right and onto the shafts to install them.

**Figure 2-114** Install the Tray 1 pickup and feed rollers

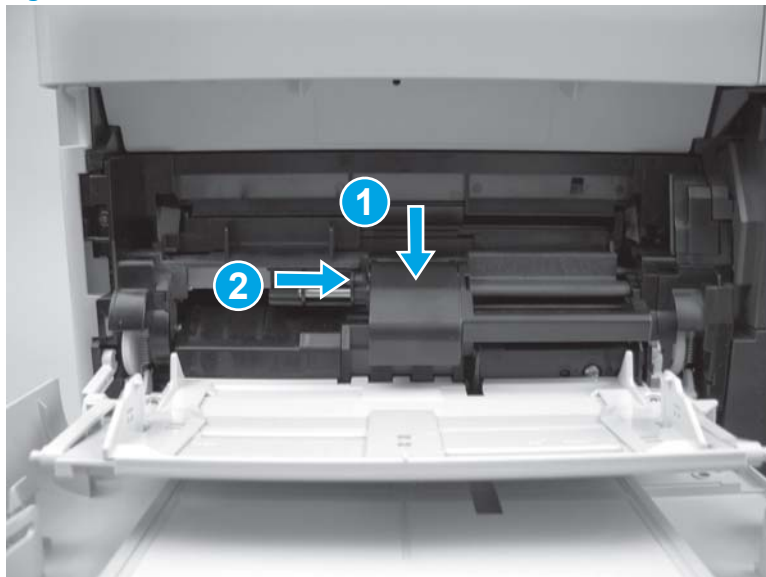


**TIP:** The pickup roller must fit over the drive tabs (callout 1) on the roller-drive gear (callout 2).



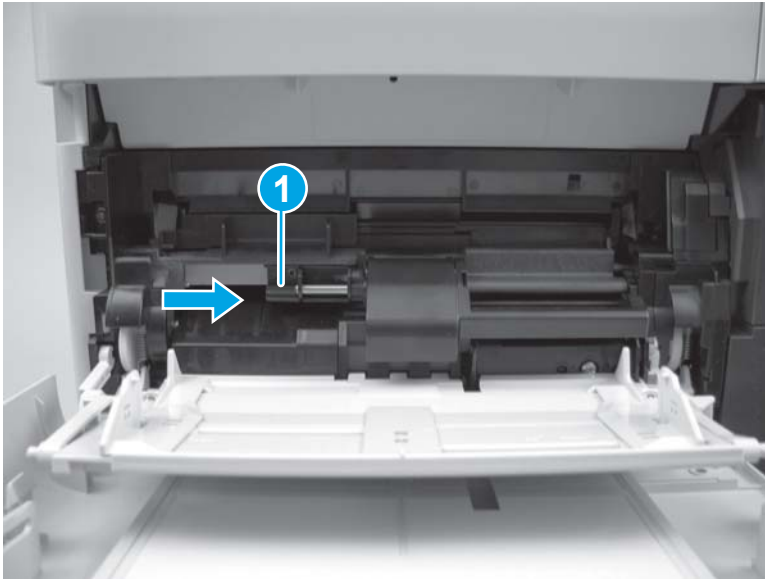
2. Position the Tray 1 rollers cover over the pickup and feed rollers (callout 1), and then slide the cover to the right (callout 2) to install it.

**Figure 2-115** Remove the cover



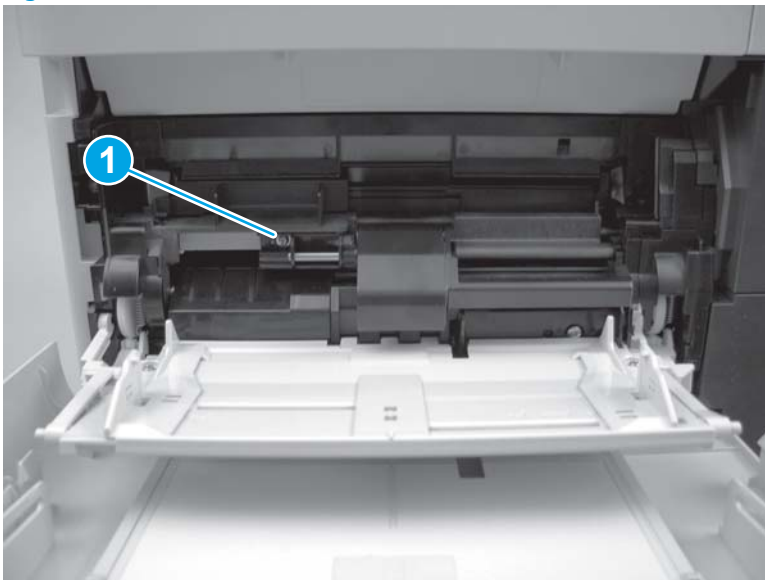
3. Slide the roller-shaft bushing (callout 1) to the right and onto the shaft to install it.

**Figure 2-116** Install the bushing



4. Install one screw (callout 1).

**Figure 2-117** Install one screw



5. Rotate the spring-loaded cover downward.



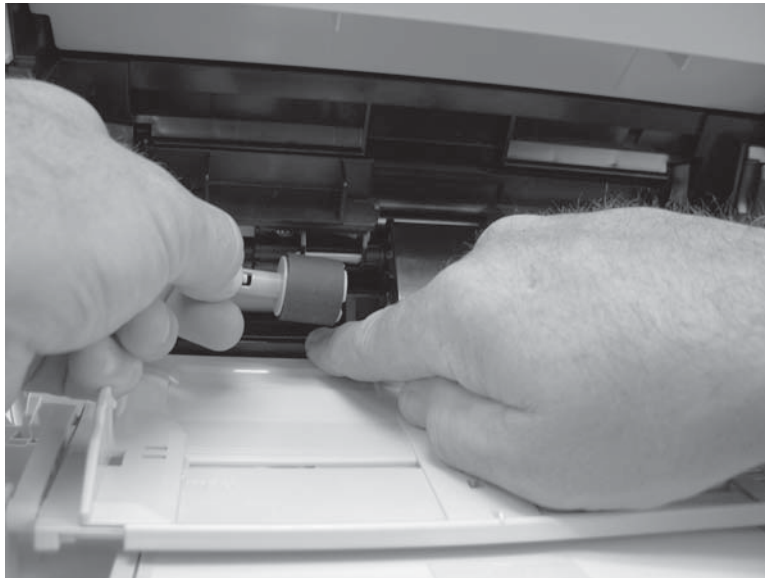
**NOTE:** The envelope feeder cover is not shown in this figure. The cover might be installed in this area (callout 1) on some printers.

**Figure 2-118** Open the separation roller cover



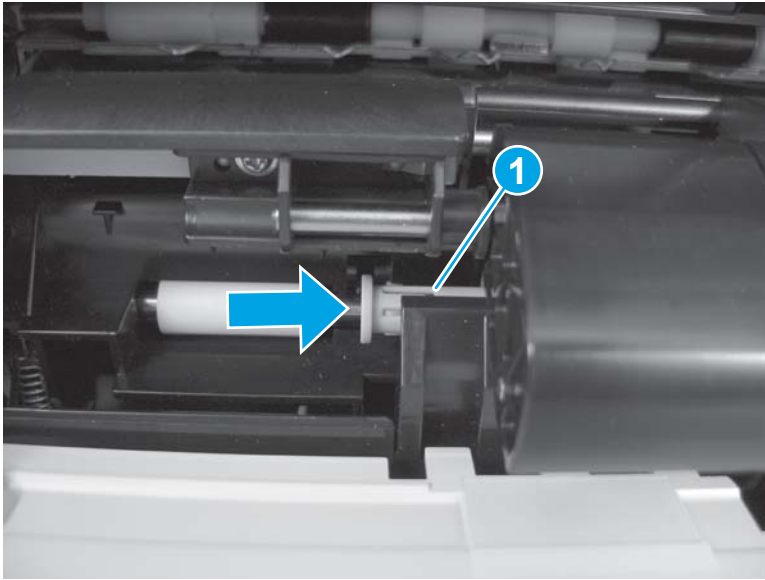
6. Position the separation roller onto the shaft.

**Figure 2-119** Position the separation roller



7. Slide the separation roller (callout 1) to the right until it clicks into place.

**Figure 2-120** Install the separation roller



8. Close the front cover.

**Figure 2-121** Close the front cover



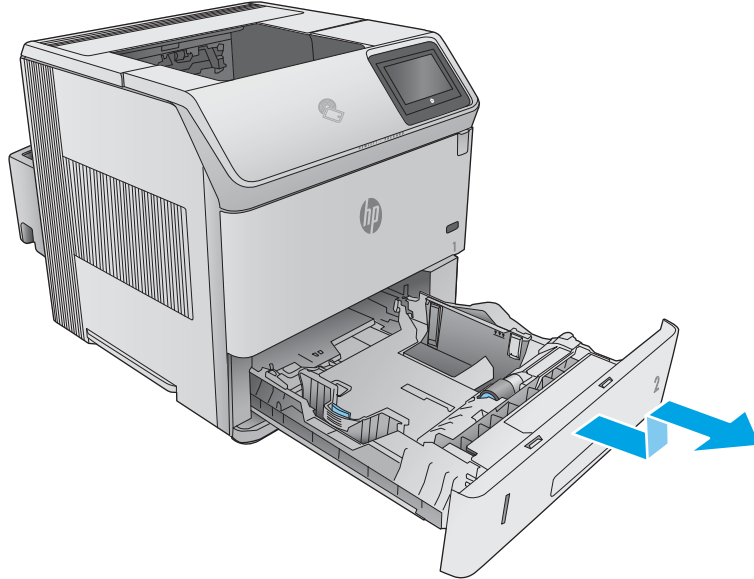


## Clean the Tray 2-X rollers

### Step 1: Remove the tray

- ▲ Pull the tray out, slightly lift up, and then pull it completely out of the printer to remove it.

**Figure 2-122** Remove the tray

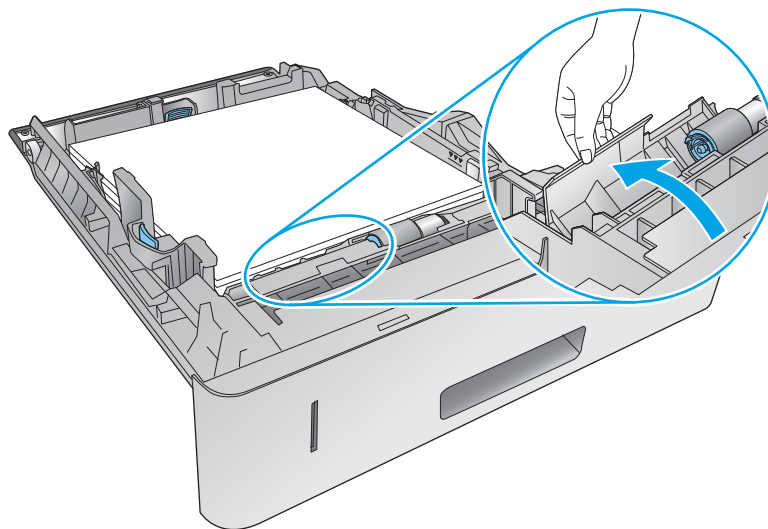


### Step 2: Remove the pickup, feed, and separation rollers

**CAUTION:** When handling the rollers, avoid touching the roller surfaces. Skin oils and fingerprints on a roller surface can cause print-quality problems.

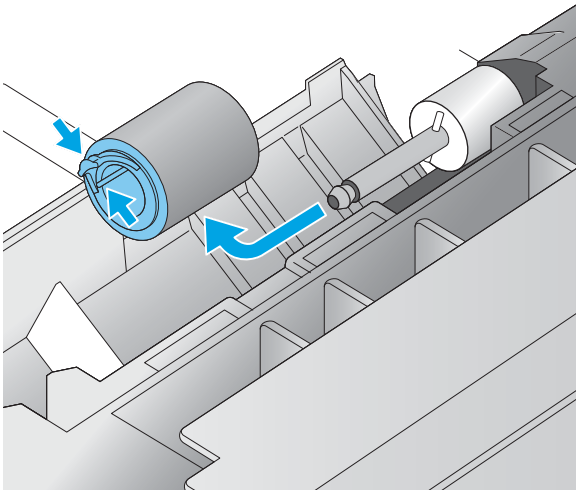
1. Place the tray on a level work surface. Locate and open the spring-loaded cover that is next to the roller in the tray.

**Figure 2-123** Open the cover



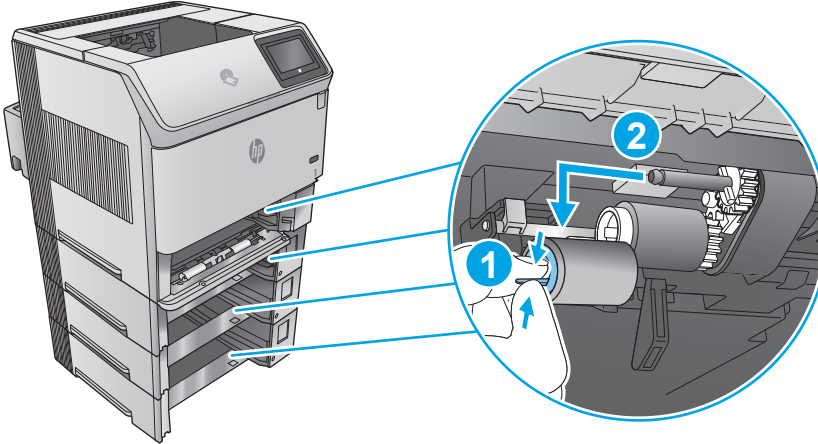
2. Pinch the blue tab that is on the left side of the roller, and then slide the roller off of the shaft.

**Figure 2-124** Remove the feed roller



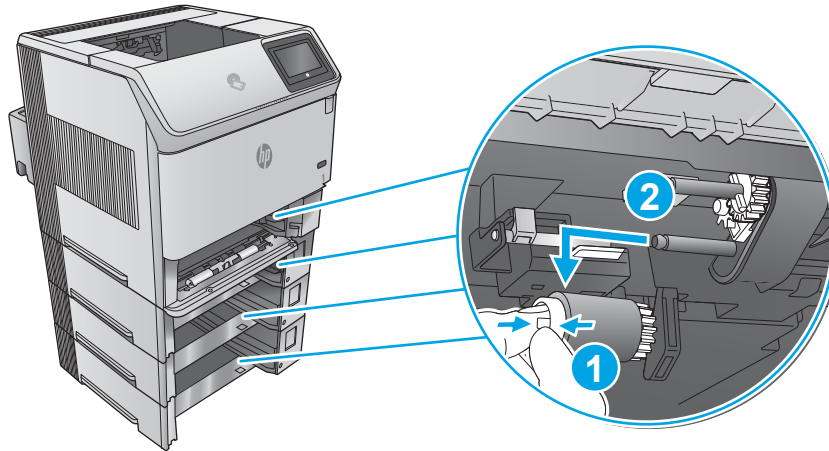
3. Inside the tray cavity, pinch the blue tab that is on the left side of the upper feed roller (callout 1), and then slide the roller off of the shaft (callout 2).

**Figure 2-125** Remove the feed roller



4. Inside the tray cavity, pinch the blue tab that is on the left side of the lower pick roller (callout 1), and then slide the roller off of the shaft (callout 2).

**Figure 2-126** Remove the pick roller



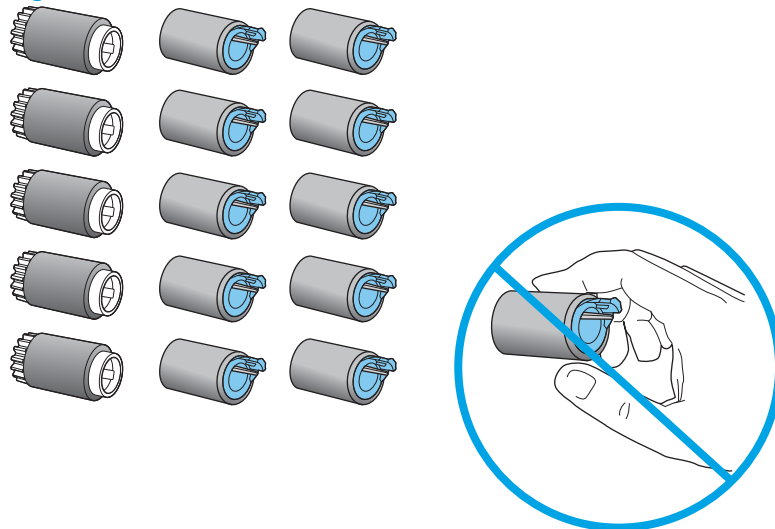
### Step 3: Clean the Tray 2-X rollers

- ▲ Use a damp, lint-free cloth to gently clean the rollers.

**CAUTION:** When handling the rollers, avoid touching the roller surfaces. Skin oils and fingerprints on a roller surface can cause print-quality problems.

**NOTE:** The number of rollers depends on the number input accessories installed.

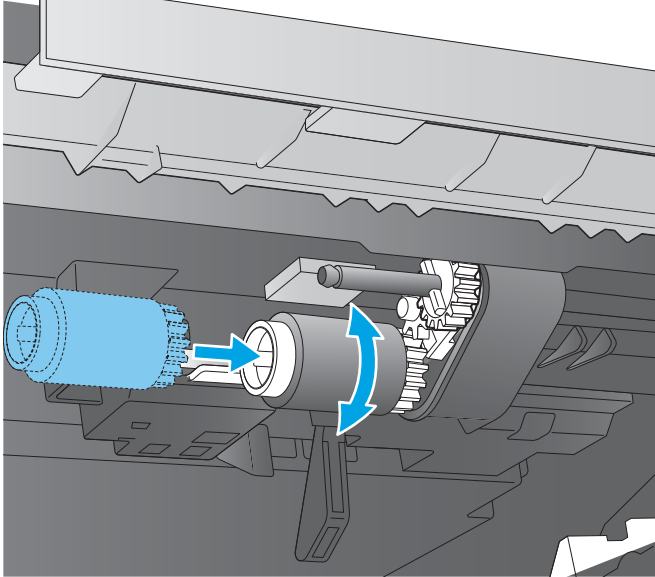
**Figure 2-127** Clean the rollers



### Step 4: Install the pickup, feed, and separation rollers

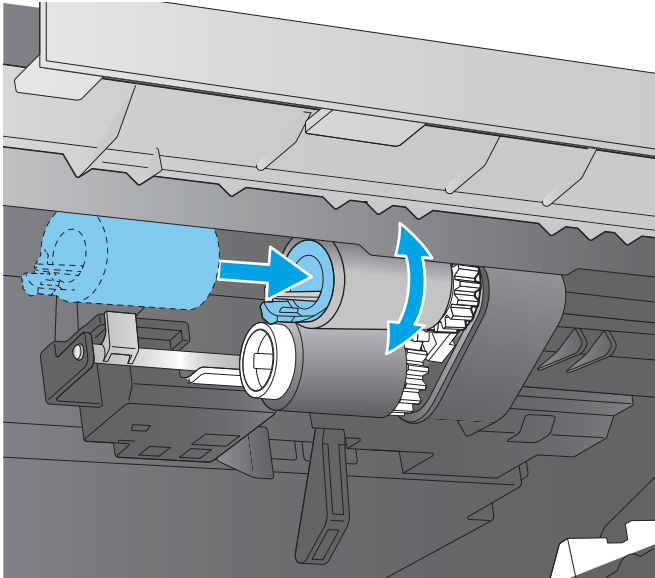
1. Inside the tray cavity, slide the lower pick roller onto the shaft. You might have to rotate the roller while sliding it onto the shaft to make sure it clicks into place.

**Figure 2-128** Install the pick roller



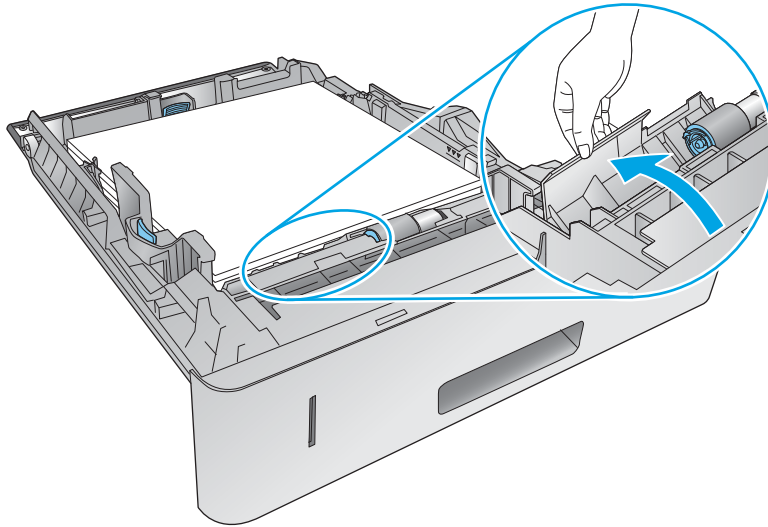
2. Inside the tray cavity, slide the upper feed roller onto the shaft. You might have to rotate the roller while sliding it onto the shaft to make sure it clicks into place.

**Figure 2-129** Install the feed roller



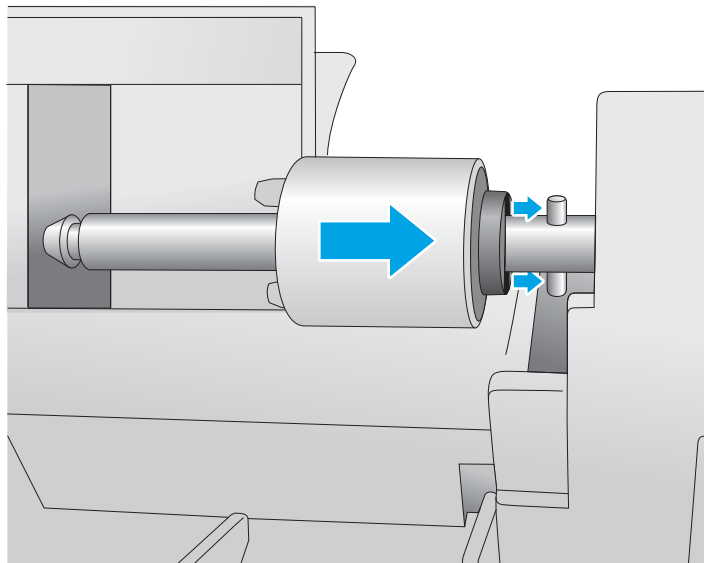
3. Open the spring-loaded cover that is next to the roller in the tray.

**Figure 2-130** Open the cover



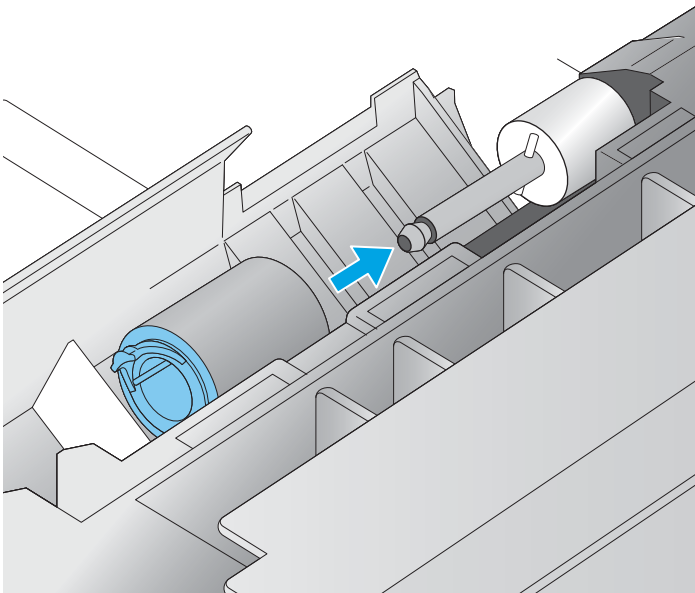
4. Before installing the feed roller, make sure that the torque limiter (the white roller on the shaft next to the feed roller) is correctly positioned against the locking pins on the shaft.

**Figure 2-131** Align the torque limiter



5. Slide the feed roller onto the shaft. You might have to rotate the roller while sliding it onto the shaft to make sure it clicks into place.

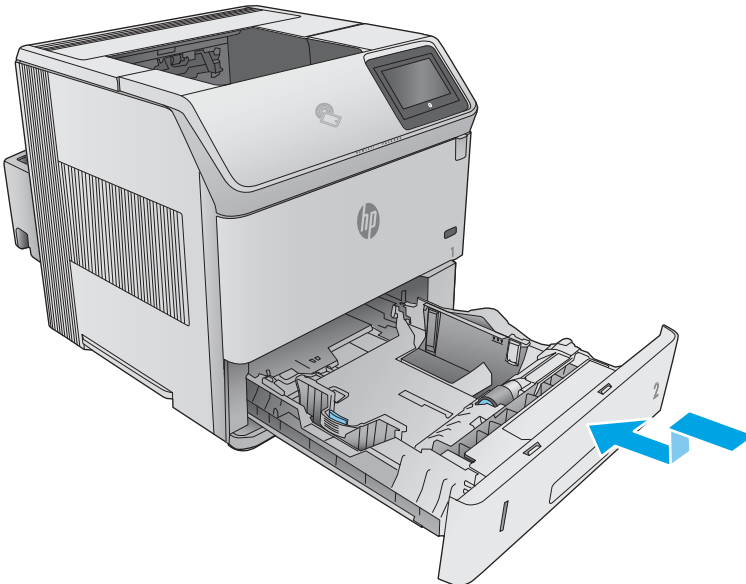
**Figure 2-132** Install the feed roller



### Step 5: Install the tray

- ▲ Lift the tray up slightly and install the back edge of the tray into the tray cavity. Lower the tray, and then slide it into the printer.

**Figure 2-133** Install the tray



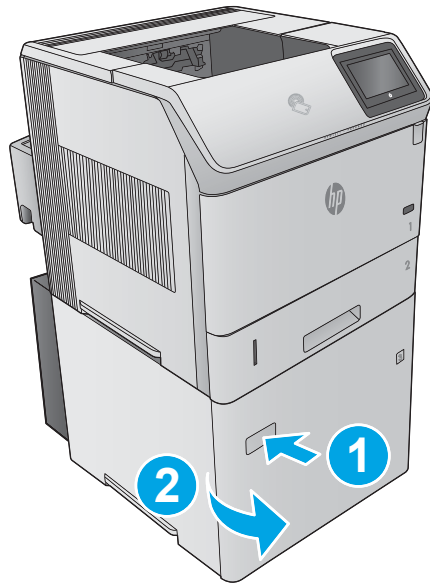
## Clean the 1,500-sheet high capacity input (HCI) feeder rollers

### Step 1: Remove the pickup, feed, and separation rollers

If the printer does not have the optional HCI installed, skip the remaining steps in this procedure.

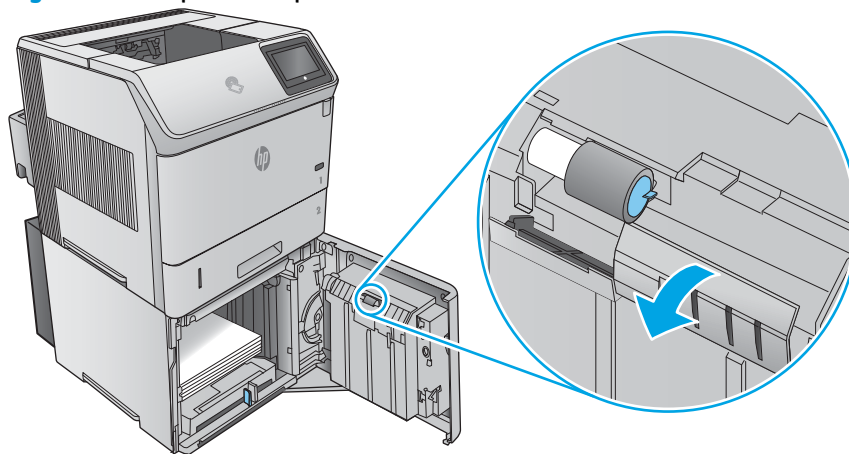
1. Press on the latch (callout 1), and then open the feeder door (callout 2).

**Figure 2-134** Open the feeder door



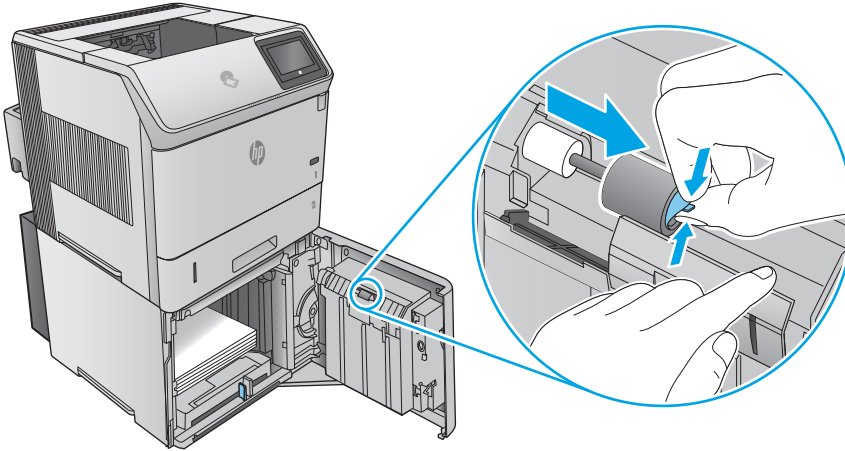
2. Open the separation-roller cover.

**Figure 2-135** Open the separation-roller cover



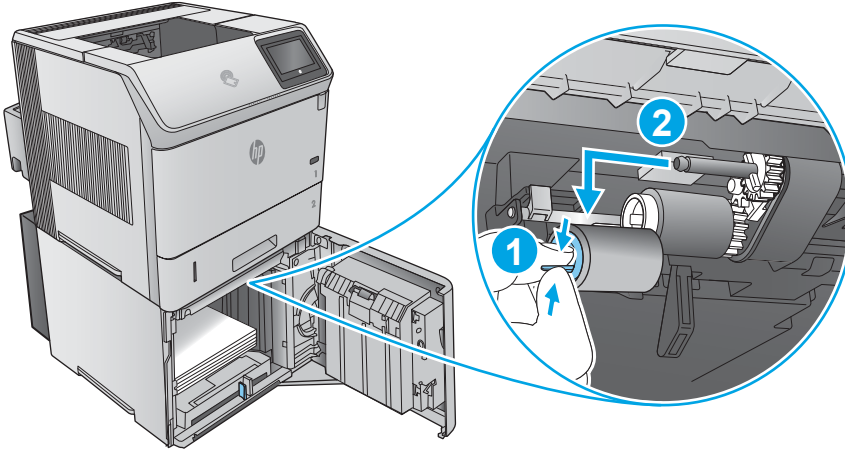
3. Pinch the blue tab that is on the left side of the separation roller, and then slide the roller off of the shaft.

**Figure 2-136** Remove the separation roller



4. Inside the tray cavity, pinch the blue tab that is on the left side of the upper feed roller (callout 1), and then slide the roller off of the shaft (callout 2).

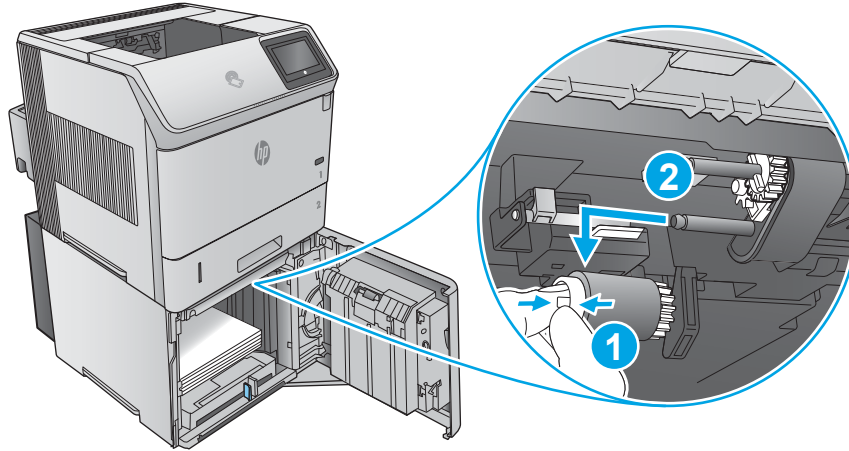
**Figure 2-137** Remove the feed roller





5. Inside the tray cavity, pinch the blue tab that is on the left side of the lower pick roller (callout 1), and then slide the roller off of the shaft (callout 2).

**Figure 2-138** Remove the pick roller

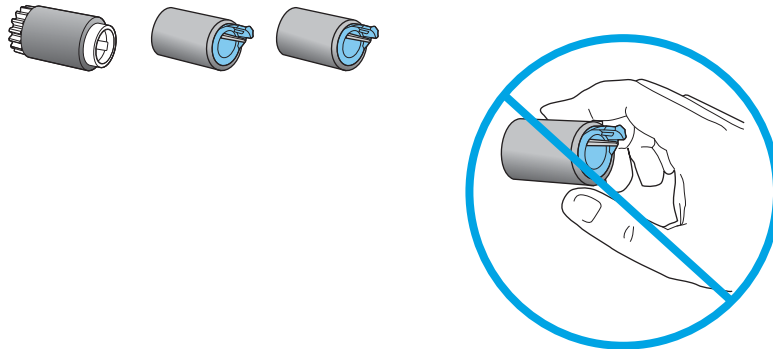


## Step 2: Clean the HCI rollers

- ▲ Use a damp, lint-free cloth to gently clean the rollers.

**CAUTION:** When handling the rollers, avoid touching the roller surfaces. Skin oils and fingerprints on a roller surface can cause print-quality problems.

**Figure 2-139** Clean the rollers

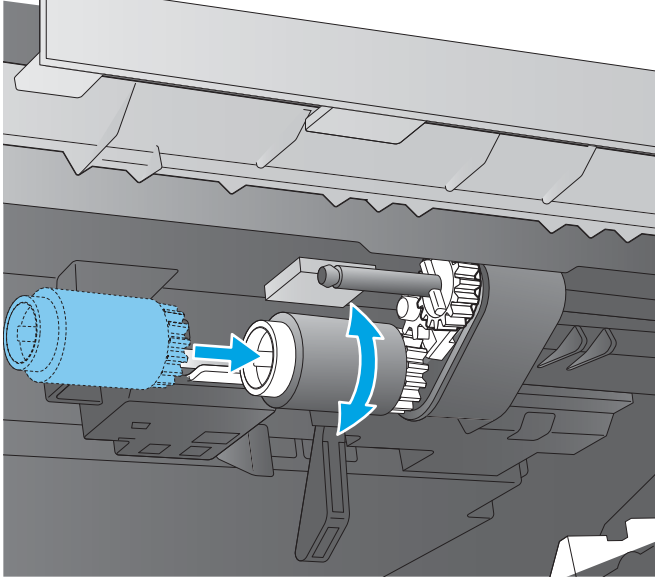


## Step 3: Install the pickup, feed, and separation rollers

**CAUTION:** When handling the rollers, avoid touching the roller surfaces. Skin oils and fingerprints on a roller surface can cause print-quality problems.

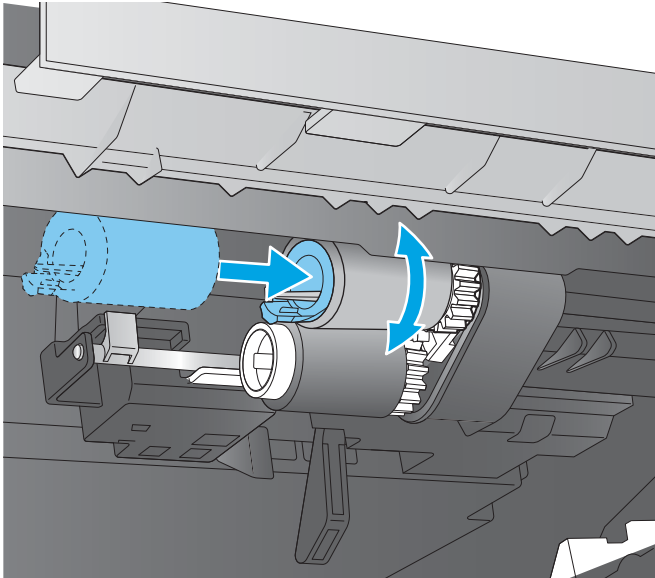
1. Inside the tray cavity, slide the lower pick roller onto the shaft. You might have to rotate the roller while sliding it onto the shaft to make sure it clicks into place.

**Figure 2-140** Install the pick roller



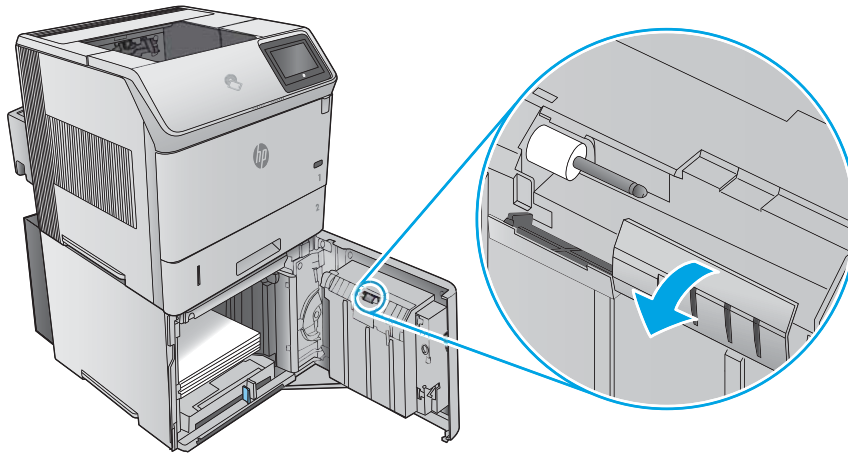
2. Inside the tray cavity, slide the upper feed roller onto the shaft. You might have to rotate the roller while sliding it onto the shaft to make sure it clicks into place.

**Figure 2-141** Install the feed roller



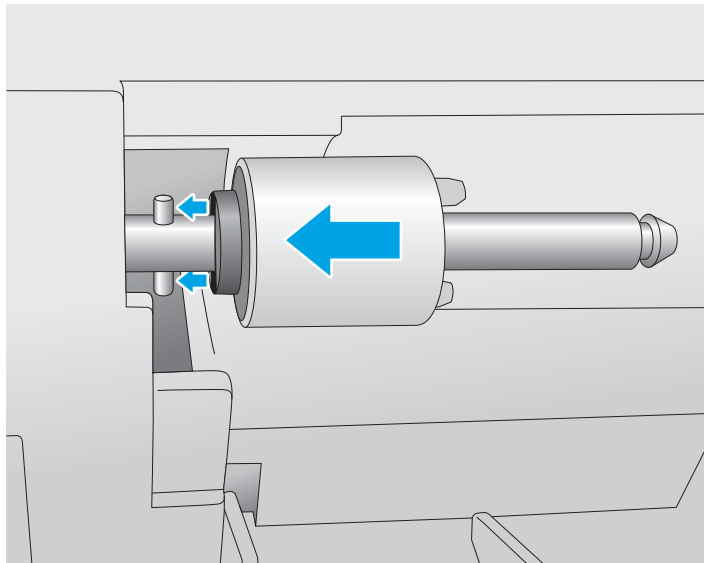
3. Open the separation-roller cover.

**Figure 2-142** Open the separation-roller cover



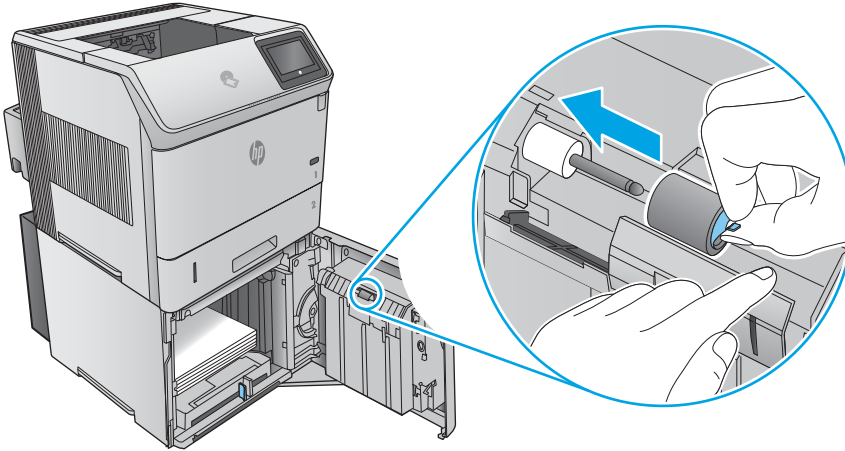
4. Before installing the feed roller, make sure that the torque limiter (the white plastic roller on the shaft next to the feed roller) is correctly positioned against the locking pins on the shaft.

**Figure 2-143** Check the torque limiter



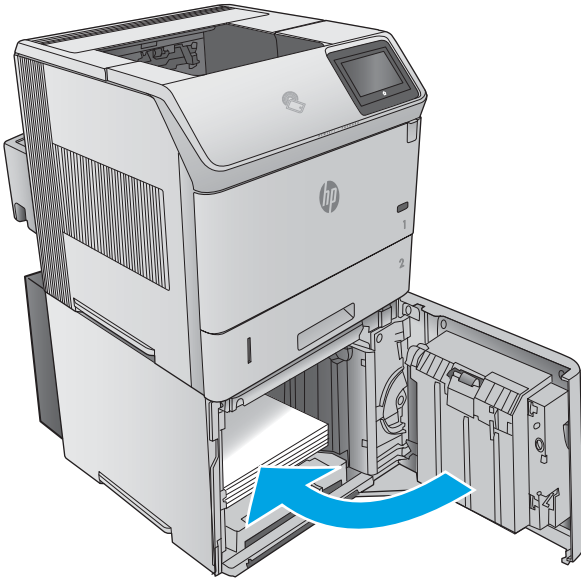
5. Slide the feed roller onto the shaft. You might have to rotate the roller while sliding it onto the shaft to make sure it clicks into place.

**Figure 2-144** Install the feed roller



6. Close the feeder door.

**Figure 2-145** Close the feeder door



# Solve paper handling problems

- [Product feeds incorrect page size](#)
- [Product pulls from incorrect tray](#)
- [Product will not duplex or duplexes incorrectly](#)
- [Paper does not feed from Tray 2-X](#)
- [Output is curled or wrinkled](#)
- [Product does not pick up paper or misfeeds](#)

## Product feeds incorrect page size

**Table 2-57 Product feeds incorrect page size**

Cause	Solution
The correct size paper is not loaded in the tray.	Load the correct size paper in the tray.
The correct size paper is not selected in the software program or printer driver.	Confirm that the settings in the software program and printer driver are correct, because the software program settings override the printer driver and control panel settings, and the printer driver settings override the control panel settings.
The correct size paper for the tray is not selected in the product control panel.	From the control panel, select the correct size paper for the tray.
The paper size is not configured correctly for the tray.	Print a configuration page to determine the paper size for which the tray is configured.
The guides in the tray are not against the paper.	Verify that the paper guides are touching the paper.

## Product pulls from incorrect tray

**Table 2-58 Product pulls from incorrect tray**

Cause	Solution
A driver for a different product is in use.	Use a driver for this product.
The specified tray is empty.	Load paper in the specified tray.
The paper size is not configured correctly for the input tray.	Print a configuration page or use the control panel to determine the paper size for which the tray is configured.
The guides in the tray are not against the paper.	Verify that the guides are touching the paper.

## Product will not duplex or duplexes incorrectly

**Table 2-59 Product will not duplex (print 2-sided jobs) or duplexes incorrectly**

Cause	Solution
The duplex job is trying to use unsupported paper.	Verify that the paper is supported for duplex printing.
The printer driver is not set up for duplex printing.	Set up the printer driver to enable duplex printing.

**Table 2-59 Product will not duplex (print 2-sided jobs) or duplexes incorrectly (continued)**

Cause	Solution
The first page is printing on the back of preprinted forms or letterhead.	Load preprinted forms and letterhead in Tray 1 with the letterhead or printed side down, with the top of the page leading into the product. For Tray 2-X, load the paper printed side up with the top of the page toward the right of the product.
The product model does not support automatic 2-sided printing.	The product model does not support automatic 2-sided printing.

## Paper does not feed from Tray 2-X

**Table 2-60 Paper does not feed from Tray 2-X**

Cause	Solution
The correct size paper is not loaded.	Load the correct size paper.
The input tray is empty.	Load paper in the input tray.
The correct paper type for the input tray is not selected in the product control panel.	From the product control panel, select the correct paper type for the input tray. Trays configured for a paper type with a specific weight range will not match a print job that specifies an exact weight, even if the specified weight is within the weight range.
Paper from a previous jam has not been completely removed.	Open the product and remove any paper in the paper path. Closely inspect the fuser area for jams.
None of the optional trays appear as input tray options.	The optional trays only display as available if they are installed. Verify that any optional trays are correctly installed. Verify that the printer driver has been configured to recognize the optional trays.
An optional tray is incorrectly installed.	Print a configuration page to confirm that the optional tray is installed. If not, verify that the tray is correctly attached to the product.
The paper size is not configured correctly for the input tray.	Print a configuration page or use the control panel to determine the paper size for which the tray is configured.
The guides in the tray are not against the paper.	Verify that the guides are touching the paper.

## Output is curled or wrinkled

**Table 2-61 Output is curled or wrinkled**

Cause	Solution
Paper does not meet the specifications for this product.	Use only paper that meets the HP paper specifications for this product.
The input tray is empty.	Load paper in the input tray.
The correct paper type for the input tray is not selected in the product control panel.	From the product control panel, select the correct paper type for the input tray. Trays configured for a paper type with a specific weight range will not match a print job that specifies an exact weight, even if the specified weight is within the weight range.
Paper is damaged or in poor condition.	Remove paper from the input tray and load paper that is in good condition.

**Table 2-61 Output is curled or wrinkled (continued)**

Cause	Solution
The product is operating in an excessively humid environment.	Verify that the printing environment is within humidity specifications.
The print job consist of large, solid-filled areas.	Large, solid-filled areas can cause excessive curl. Try using a different pattern.
Paper used was not stored correctly and might have absorbed moisture.	Remove paper and replace it with paper from a fresh, unopened package.
Paper has poorly cut edges.	Remove paper, flex it, rotate it 180 degrees or turn it over, and then reload it into the input tray. Do not fan paper. If the problem persists, replace the paper.
The specific paper type was not configured for the tray or selected in the software.	Configure the software for the paper (see the software documentation). Configure the tray for the paper.
The paper has previously been used for a print job.	Do not re-use paper.

## Product does not pick up paper or misfeeds

Use the following procedures if the product will not pick or misfeeds paper.

### The product does not pick up paper

If the product does not pick up paper from the tray, try these solutions.



**NOTE:** Tray 1 and Tray 2 are optimal for paper pickup when using special paper or media other than 20lb plain paper. For Tray 1 and Tray 2 the product increases the number of attempts to pick up a page, which increases the reliability of successfully picking the page from the tray and decreases the possibility of a mispick jam.

HP recommends using Tray 1 or Tray 2 if the product is experiencing excessive or reoccurring jams from trays other than Tray 1 and Tray 2, or for print jobs that require media other than 20lb plain paper.

1. Open the product and remove any jammed sheets of paper.
2. Load the tray with the correct size of paper for the job.
3. Make sure the paper size and type are set correctly on the product control panel.
4. Make sure the paper guides in the tray are adjusted correctly for the size of paper. Adjust the guides to the appropriate indentation in the tray.
5. Check the product control panel to see if the product is waiting for an acknowledgment to the feed the paper manually prompt. Load paper, and continue.
6. The rollers above the tray might be contaminated. Clean the rollers with a lint-free cloth dampened with warm water.

## The product picks up multiple sheets of paper

If the product picks up multiple sheets of paper from the tray, try these solutions.

1. Remove the stack of paper from the tray and flex it, rotate it 180 degrees, and flip it over. *Do not fan the paper.* Return the stack of paper to the tray.
2. Use only paper that meets HP specifications for this product.
3. Use paper that is not wrinkled, folded, or damaged. If necessary, use paper from a different package.
4. Make sure the tray is not overfilled. If it is, remove the entire stack of paper from the tray, straighten the stack, and then return some of the paper to the tray.
5. Make sure the paper guides in the tray are adjusted correctly for the size of paper. Adjust the guides to the appropriate indentation in the tray.
6. Make sure the printing environment is within recommended specifications.

## Paper does not feed automatically

**Table 2-62 Paper does not feed automatically**

Cause	Solution
Manual feed is selected in the software program.	Load Tray 1 with paper, or, if the paper is loaded, press the <b>OK</b> button.
The correct size paper is not loaded.	Load the correct size paper.
The input tray is empty.	Load paper into the input tray.
Paper from a previous jam has not been completely removed.	Open the product and remove any paper in the paper path.
The paper size is not configured correctly for the input tray.	Print a configuration page or use the control panel to determine the paper size for which the tray is configured.
The guides in the tray are not against the paper.	Verify that the rear and width paper guides are touching the paper.



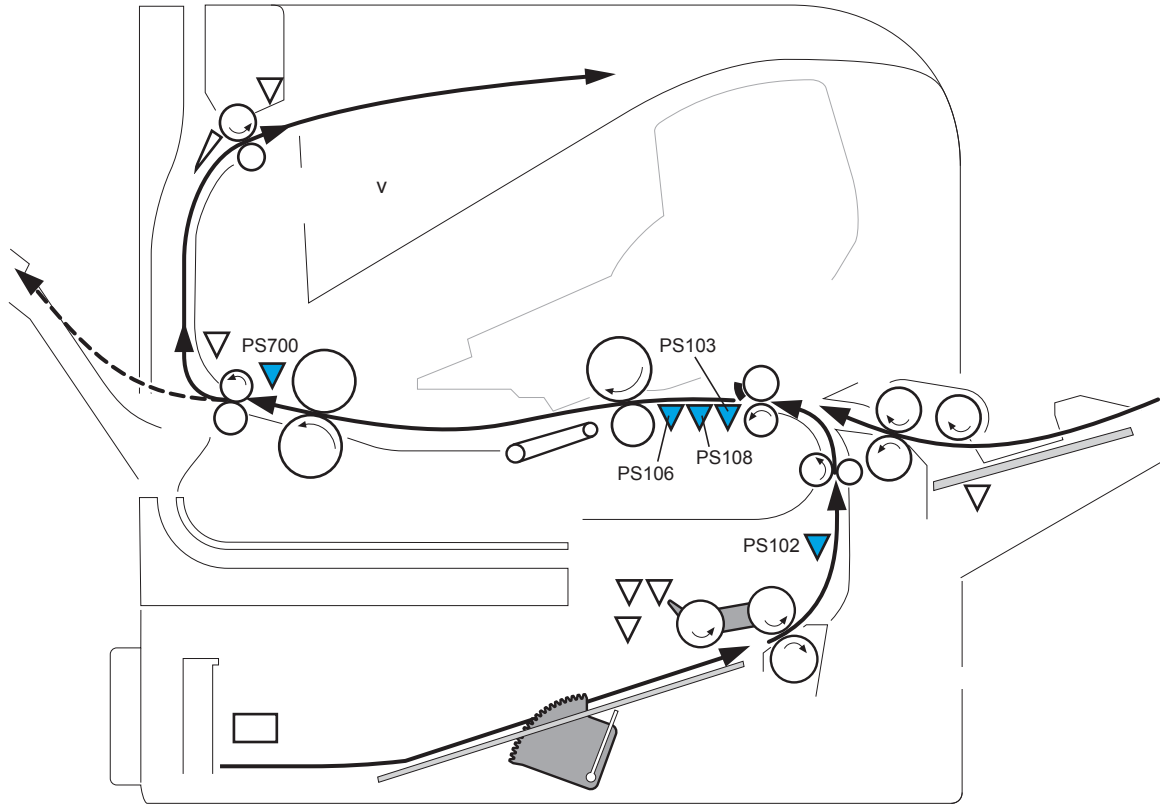
## Clear paper jams

- [Paper path jam sensor locations](#)
- [Auto-navigation for clearing jams](#)
- [Experiencing frequent or recurring paper jams?](#)
- [Clear paper jams in Tray 1](#)
- [Clear paper jams in Tray 2 and the 500-sheet trays](#)
- [Clear paper jams in the optional 1,500-sheet high-capacity tray](#)
- [Clear paper jams in the toner-cartridge area](#)
- [Clear paper jams in the rear output bin](#)
- [Clear paper jams in the fuser area](#)
- [Clear paper jams in the output bin](#)
- [Clear paper jams in the duplexer](#)
- [Clear paper jams in the envelope feeder](#)
- [Clear paper jams in the 5-bin mailbox](#)
- [Clear jams in the stacker or stapler/stacker](#)
- [Change jam recovery](#)

## Paper path jam sensor locations

 **NOTE:** Use the figures below to identify the locations of sensors where reoccurring jams are found.

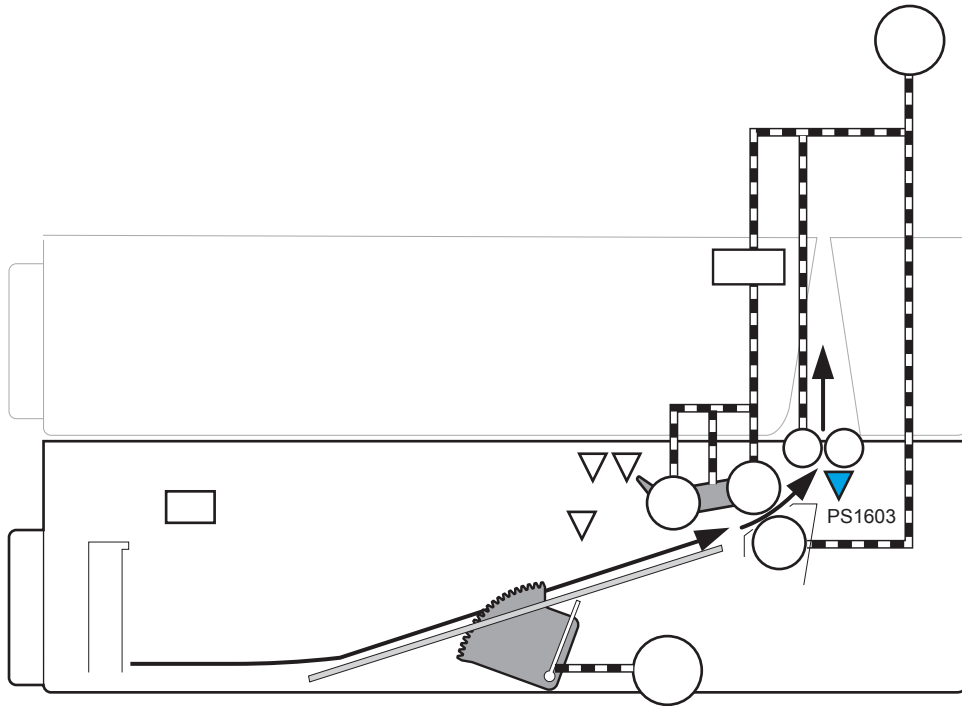
**Figure 2-146** Product base jam sensors



**Table 2-63** Product base jam sensors

Sensor	Description	Sensor	Description
PS102	Pre-feed sensor	PS108	Media-width sensor 2
PS103	TOP sensor	PS700	Fusing delivery sensor
PS106	Media-width sensor 1		

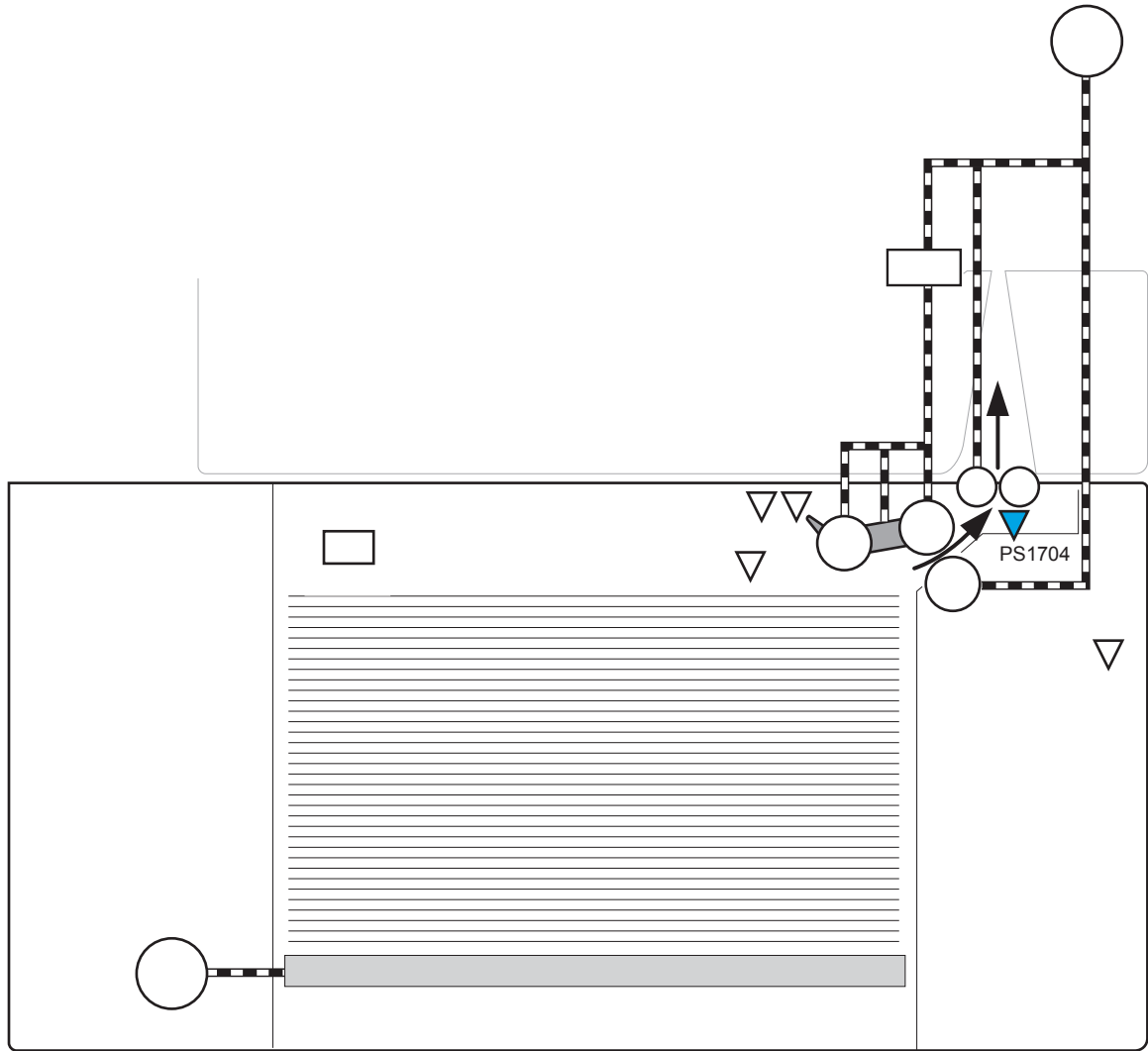
**Figure 2-147** 1x500-sheet paper-feeder jam sensors



**Table 2-64** 1x500-sheet paper-feeder jam sensors

Sensor	Description
PS1603	1x500-sheet paper feeder media path sensor

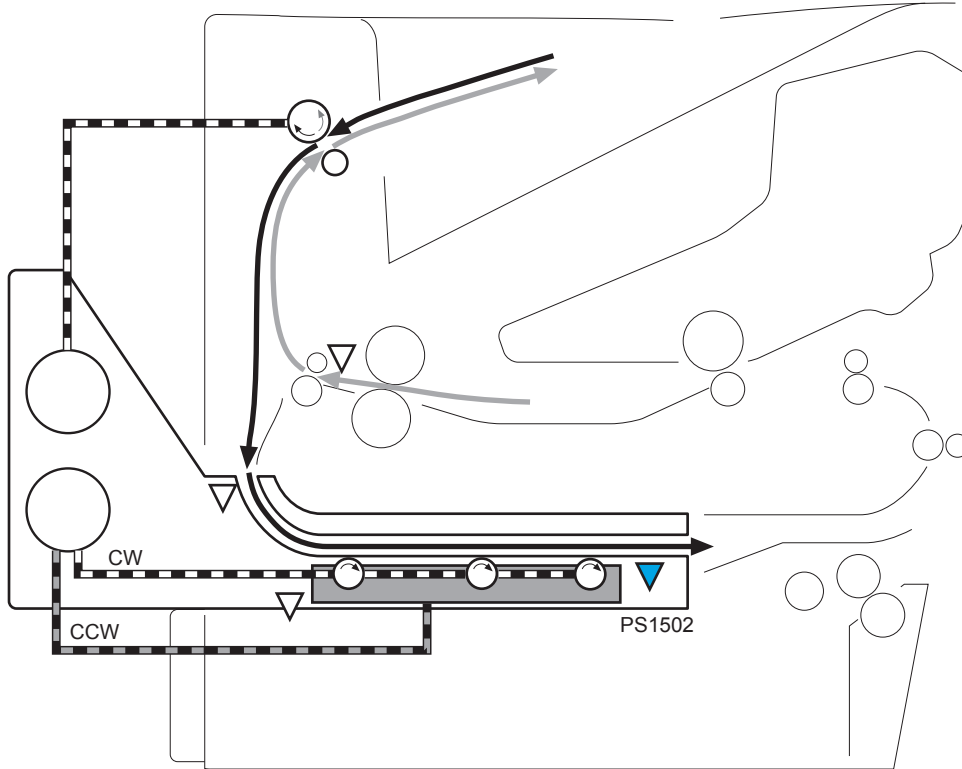
**Figure 2-148** 1,500-sheet high-capacity input (HCI) feeder jam sensors



**Table 2-65** 1,500-sheet high-capacity input (HCI) feeder jam sensors

Sensor	Description
PS1704	HCI media path sensor

**Figure 2-149** Duplexer jam sensors



**Table 2-66** Duplexer jam sensors

Sensor	Description
PS1502	Duplexer sensor

## Auto-navigation for clearing jams

The auto-navigation feature assists you in clearing jams by providing step-by-step instructions on the control panel. When you complete a step, the product displays instructions for the next step until you have completed all steps in the procedure.

## Experiencing frequent or recurring paper jams?

To reduce the number of paper jams, try these solutions.

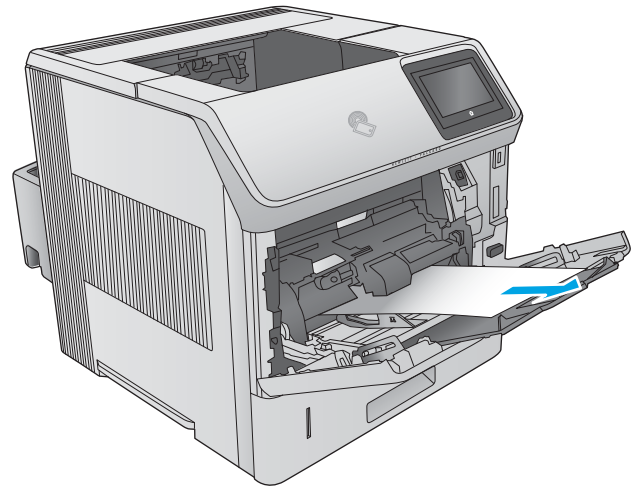
1. Use only paper that meets HP specifications for this product.
2. Use paper that is not wrinkled, folded, or damaged. If necessary, use paper from a different package.
3. Use paper that has not previously been printed or copied on.
4. Make sure the tray is not overfilled. If it is, remove the entire stack of paper from the tray, straighten the stack, and then return some of the paper to the tray.
5. Make sure the paper guides in the tray are adjusted correctly for the size of paper. Adjust the guides so they are touching the paper stack without bending it.

6. Make sure that the tray is fully inserted in the product.
7. If you are printing on heavy, embossed, or perforated paper, use the manual feed feature and feed sheets one at a time.
8. Open the [Trays](#) menu on the product control panel. Verify that the tray is configured correctly for the paper type and size.
9. Make sure the printing environment is within recommended specifications.

## Clear paper jams in Tray 1

Use the following procedure to clear paper jams in Tray 1. When a jam occurs, the control panel displays an animation that assists in clearing the jam.

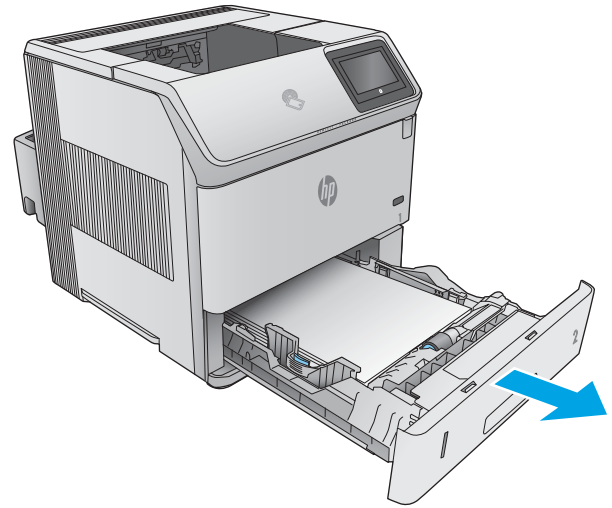
1. Slowly pull the jammed paper out of the product.



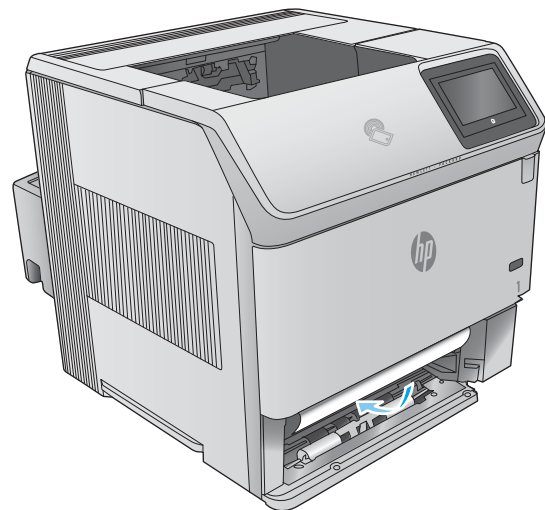
## Clear paper jams in Tray 2 and the 500-sheet trays

Use the following procedure to check for paper in all possible jam locations related to Tray 2 and the 500-sheet trays. When a jam occurs, the control panel displays an animation that assists in clearing the jam.

1. Pull the tray completely out of the product by pulling and lifting it up slightly.

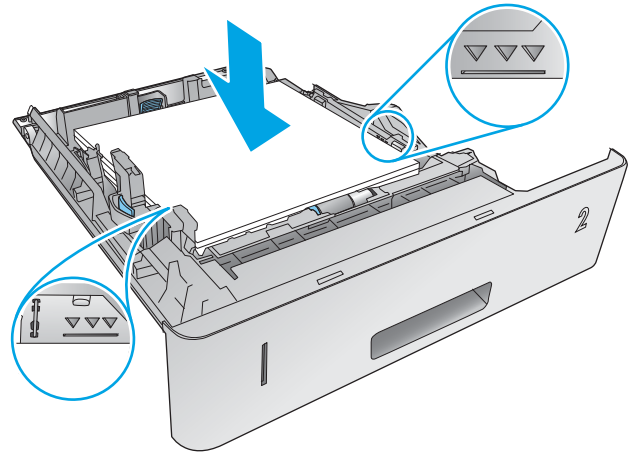


2. If the edge of the jammed paper is visible in the feed area, slowly pull the paper down and toward the back of the product. Then pull it out of the product. (Do not pull the paper straight out, or it will tear.) If the paper is not visible, look in the next tray or in the top-cover area.

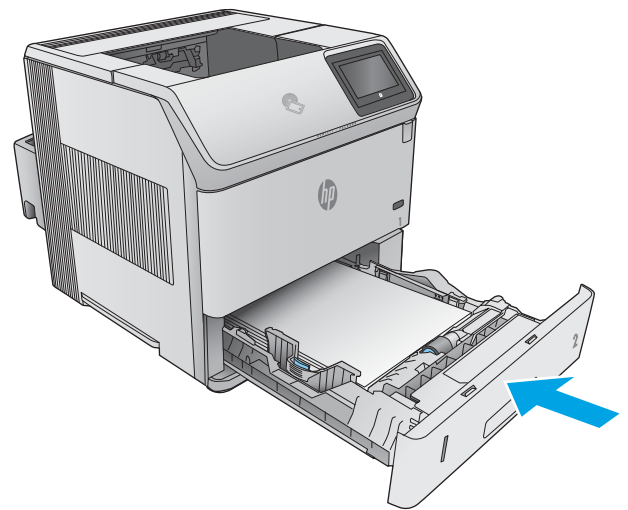




3. Make sure that the paper is flat in the tray at all four corners and below the maximum-height indicators.



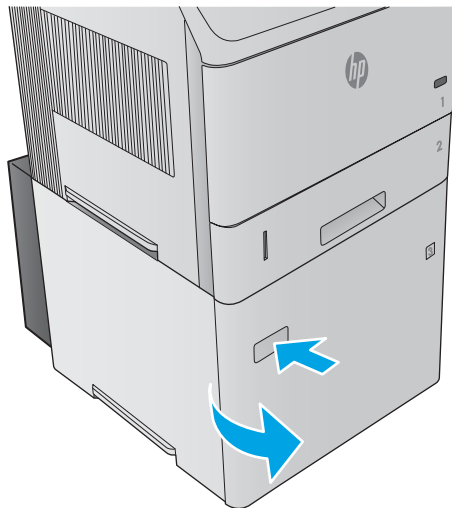
4. Reinsert and close the tray.



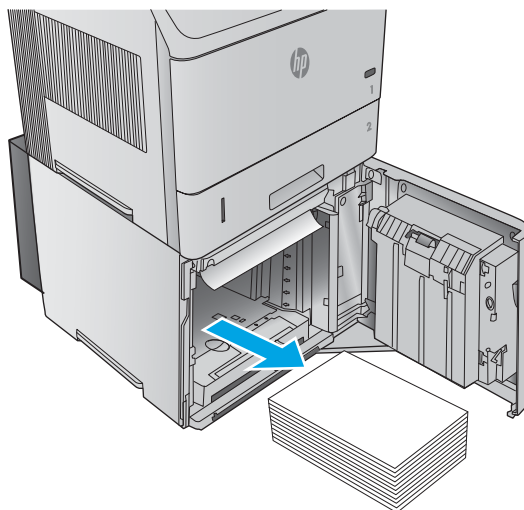
## Clear paper jams in the optional 1,500-sheet high-capacity tray

Use the following procedure to clear paper jams in the 1,500-sheet high-capacity tray. When a jam occurs, the control panel displays an animation that assists in clearing the jam.

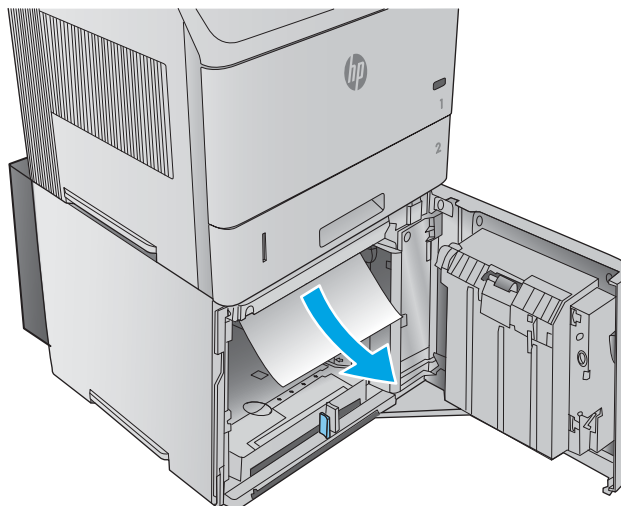
1. Open the front door of the tray.



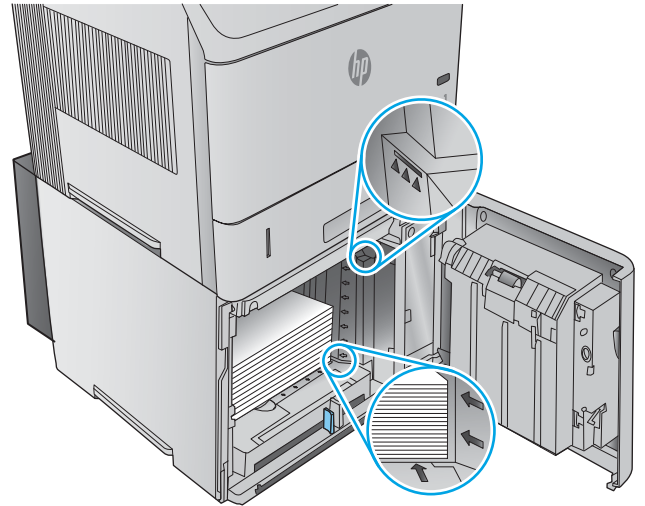
2. Remove the paper stack.



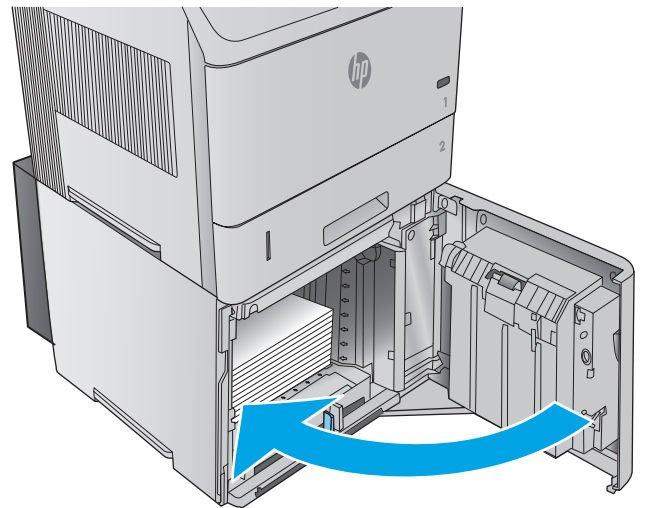
3. If the edge of the jammed paper is visible in the feed area, slowly pull the paper down and out of the product. (Do not pull the paper straight out, or it will tear.) If the paper is not visible, look in the top-cover area.



4. Make sure that the paper does not exceed the fill marks on the paper guides, and that the front edge of the stack is aligned with the arrows.



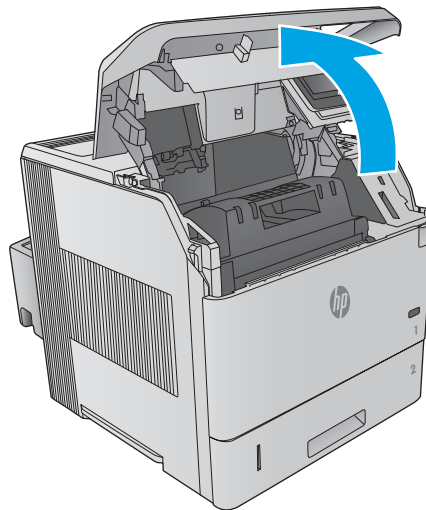
5. Close the front door of the tray.



## Clear paper jams in the toner-cartridge area

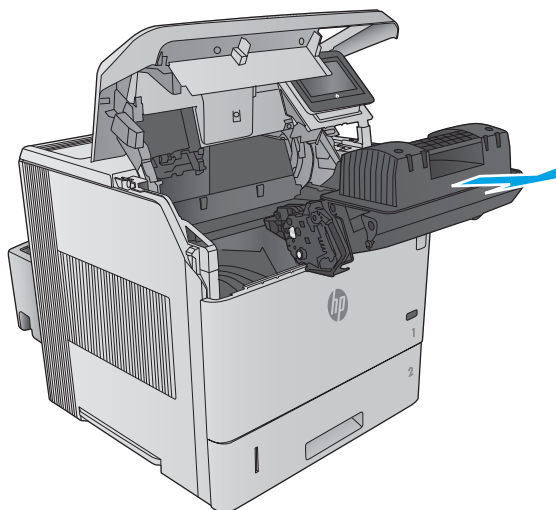
Use the following procedure to check for paper in all possible jam locations in the toner-cartridge area. When a jam occurs, the control panel displays an animation that assists in clearing the jam.

1. Open the top cover.

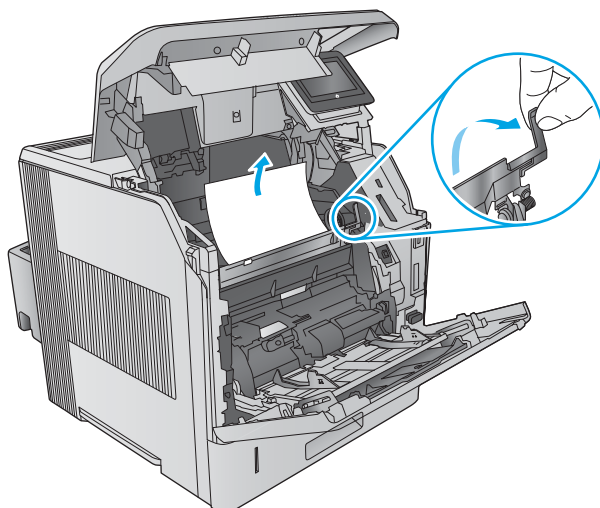


2. Remove the toner cartridge.

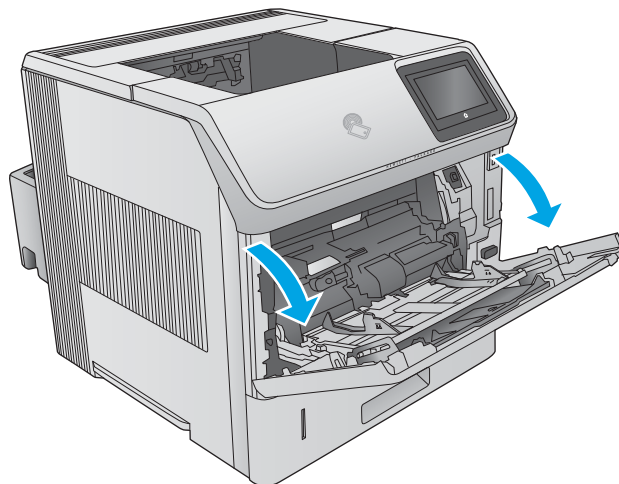
**CAUTION:** To prevent damage to the toner cartridge, do not expose it to light for more than a few minutes. Cover the toner cartridge with a sheet of paper while it is outside of the product.



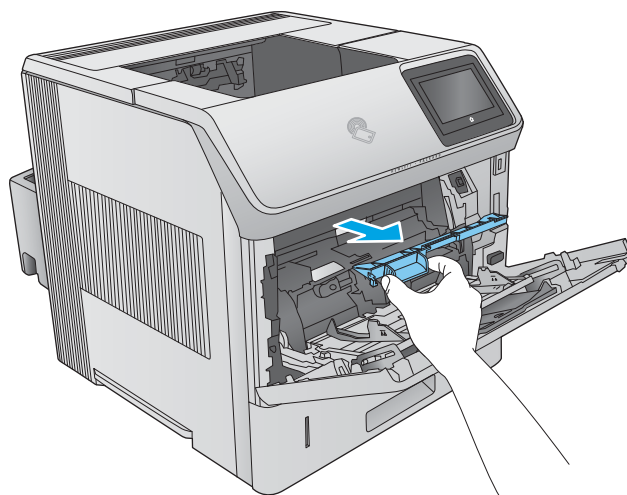
3. Use the green handle to lift the paper-access plate. Slowly pull the jammed paper out of the product. Do not tear the paper. If paper is difficult to remove, try clearing it from the tray area.



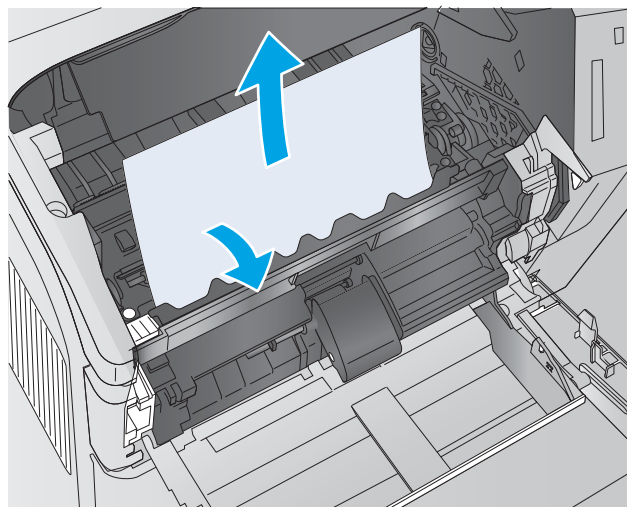
4. Open Tray 1.



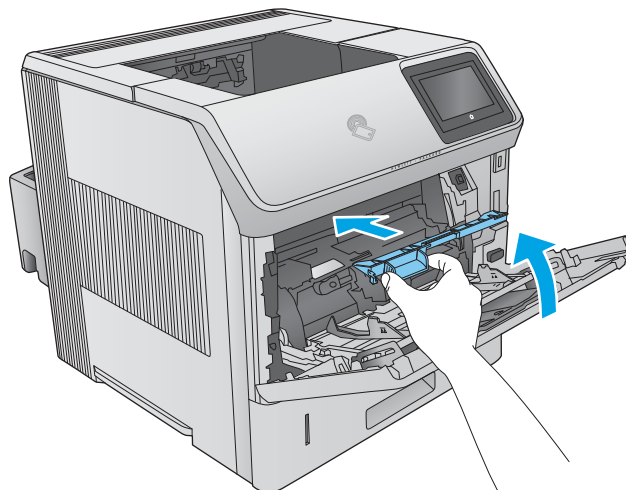
5. Remove the envelope accessory cover. If paper is present, remove it.



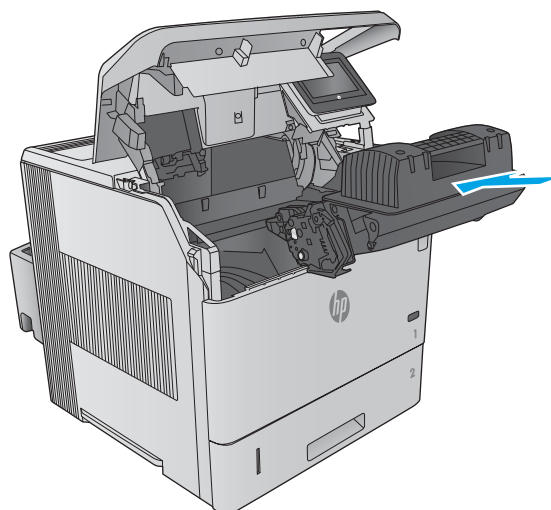
6. Rotate the paper guide to check for additional jammed paper underneath. If jammed paper is present, remove it.



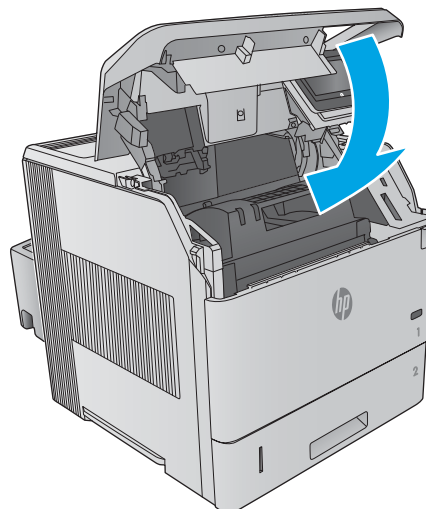
7. Replace the envelope accessory cover and close Tray 1.



8. Replace the toner cartridge.



9. Close the top cover.

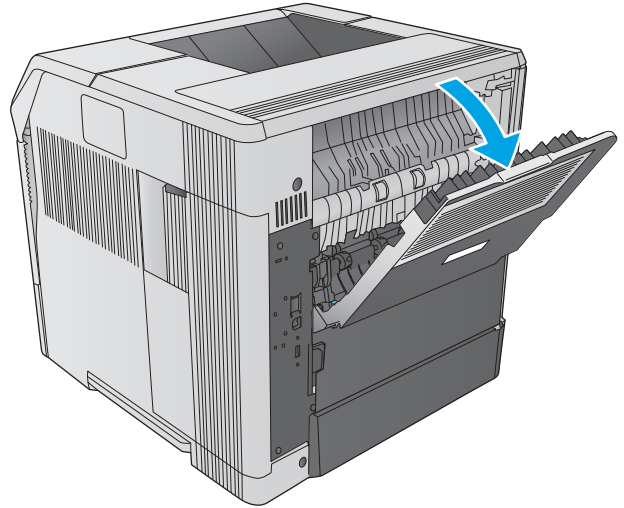


## Clear paper jams in the rear output bin

Use the following procedure to clear paper jams in the rear output bin. When a jam occurs, the control panel displays an animation that assists in clearing the jam.

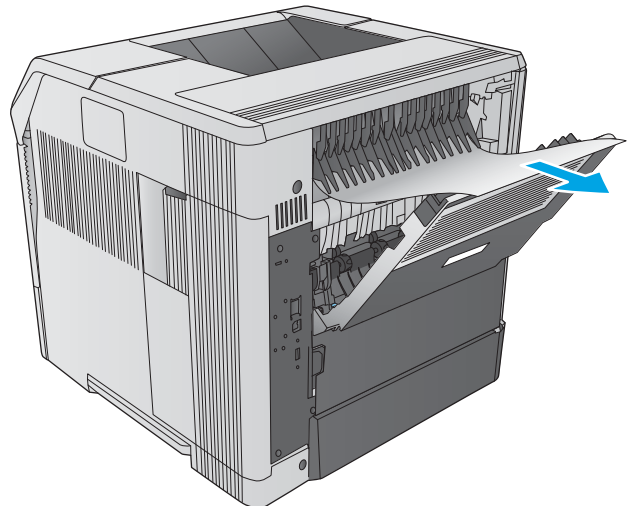
1. Open the rear output bin.

**NOTE:** If most of the paper is still inside the product, it might be easier to remove it through the top-cover area.



2. Grasp both sides of the paper, and slowly pull the paper out of the product. Loose toner might be on the sheet. Be careful not to spill it on yourself or into the product.

**NOTE:** If the jammed paper is difficult to remove, try opening the top cover all the way to release pressure on the paper. If the sheet has torn, or if you still cannot remove it, clear the jam from the fuser area.



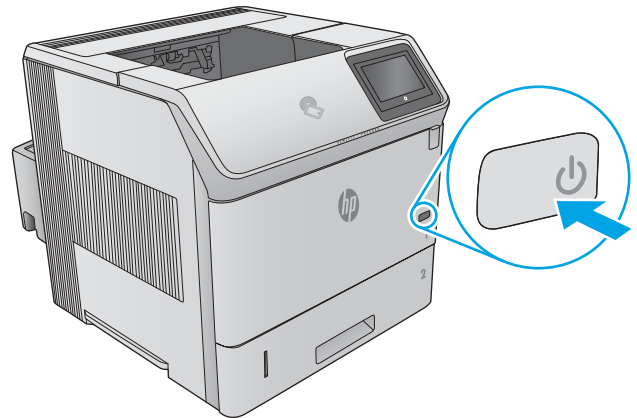
## Clear paper jams in the fuser area

Use the following procedure to check for paper in all possible jam locations in the fuser area. When a jam occurs, the control panel displays an animation that assists in clearing the jam.

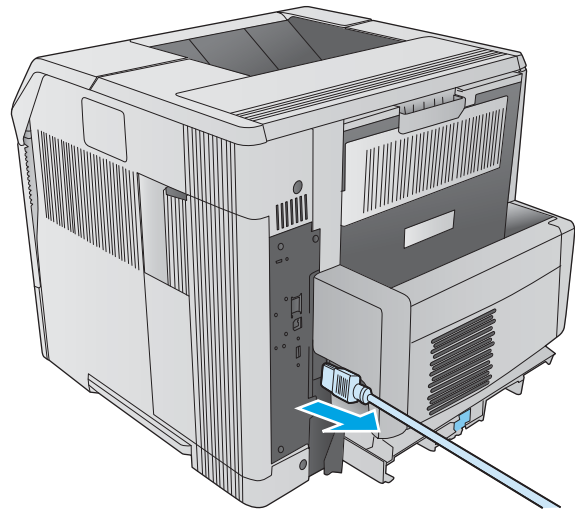
Use this procedure only in these situations:

- Paper has jammed inside the fuser and cannot be removed from the top-cover area or the rear output area.
- A sheet of paper tears during an attempt to clear a jam from the fuser.

1. Turn the product off.

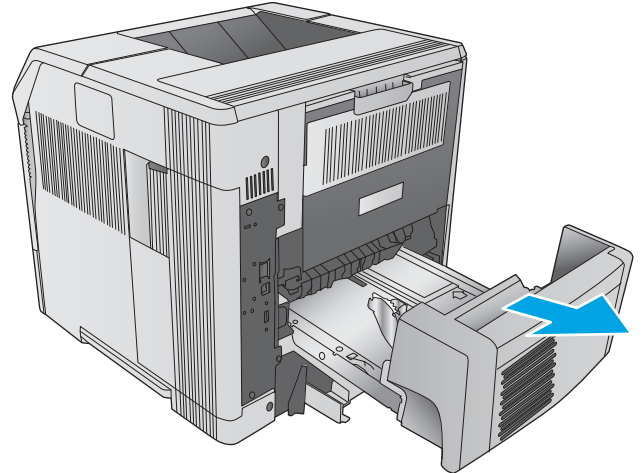


2. Disconnect the power cord.

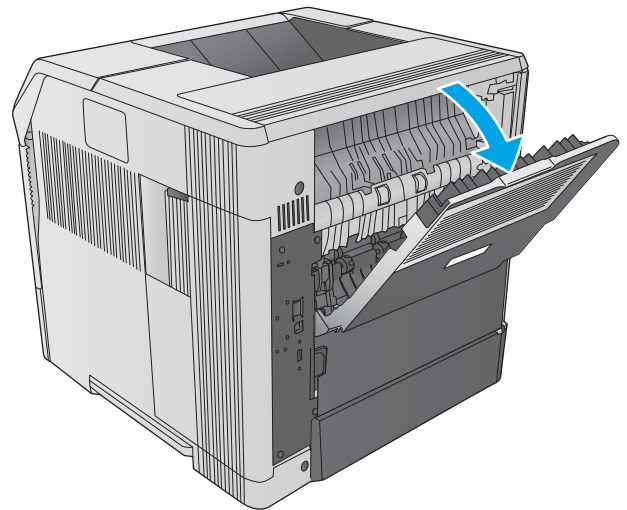




3. If an optional duplexer is installed, lift it and pull it straight out. Set it aside.

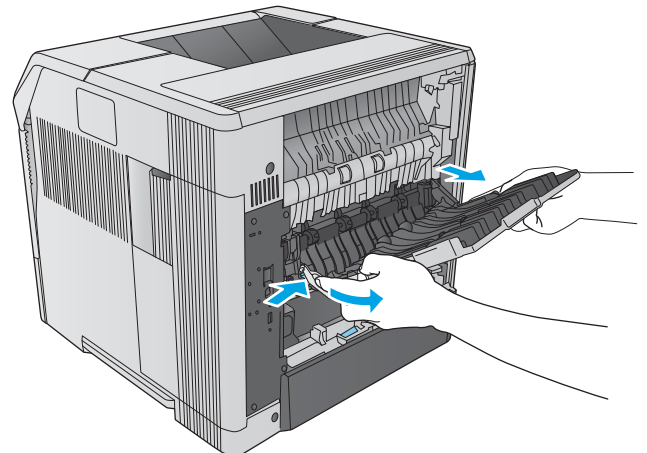


4. Open the rear output bin.

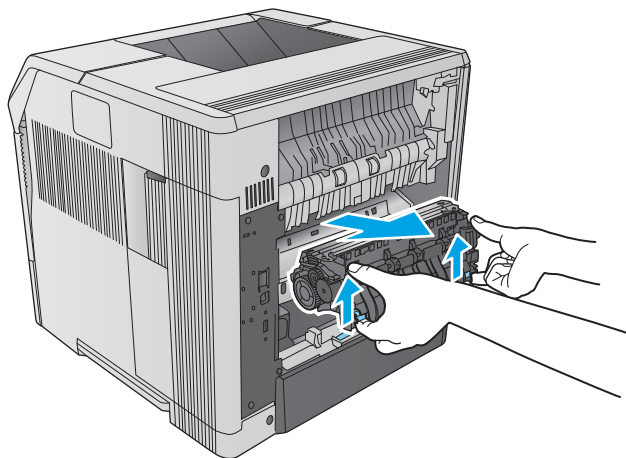


5. Remove the rear output bin. Place a finger near the left-side hinge, and push firmly to the right until the hinge-pin clears the hole inside the product. Rotate the output bin outward to remove it.

**WARNING!** The fuser is very hot. To avoid burns, allow the fuser to cool before continuing.

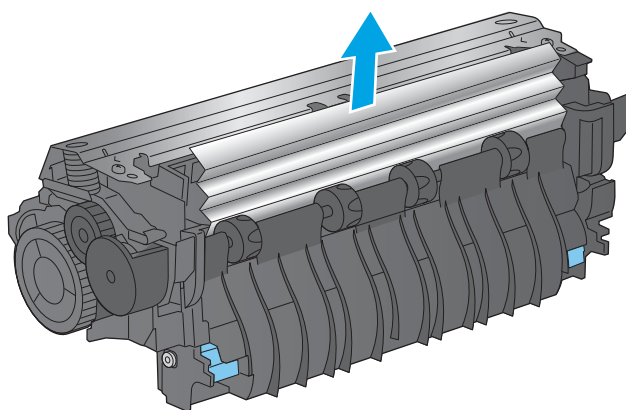


6. Push up on the two blue levers on the sides of the fuser to release it, and then pull the fuser straight out of the product to remove it..

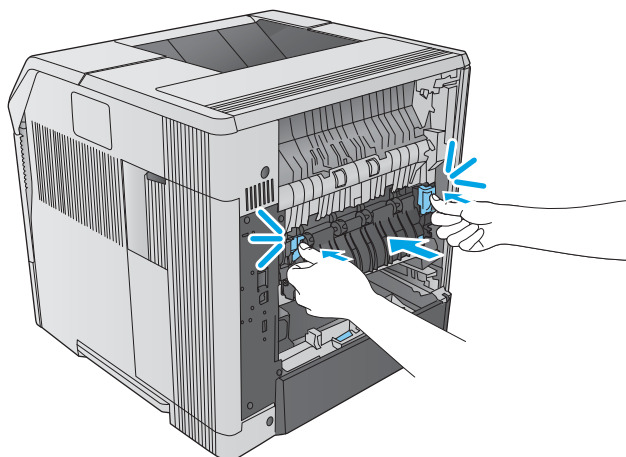


7. Remove the jammed paper. If necessary, lift the black plastic guide that is located on the top of the fuser to gain access to the jammed sheet.

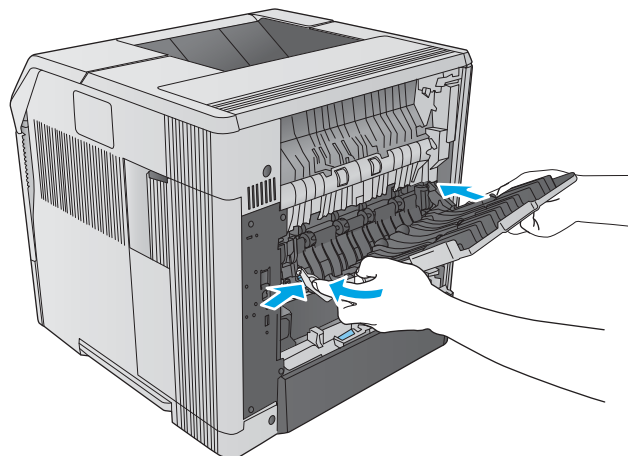
**CAUTION:** Do not use a sharp or metal object to clear paper from the fuser area. It might damage the fuser.



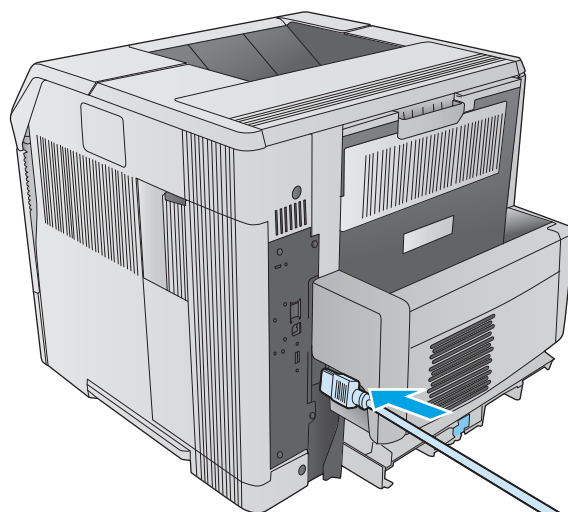
8. Push the fuser straight into the product until it snaps into place.



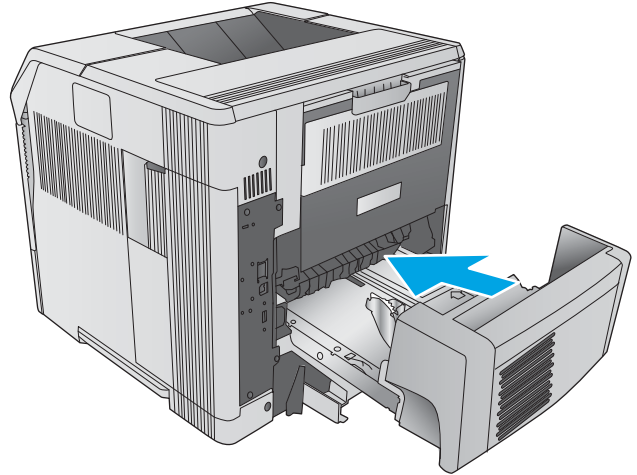
9. Replace the rear output bin. Insert the right hinge-pin into the hole inside the product. Push inward on the left hinge, and slide it into the hole inside the product. Close the rear output bin.



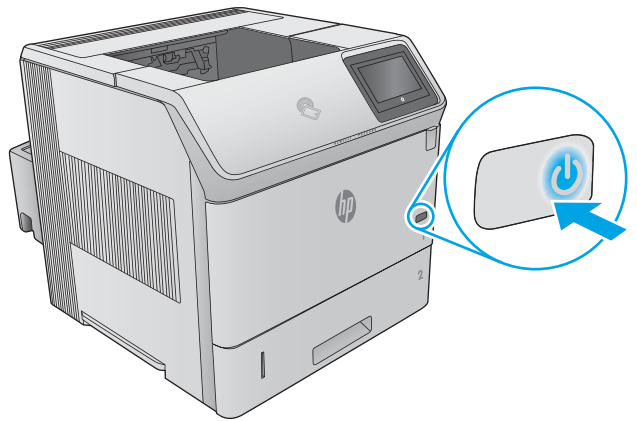
10. Connect the power cord to the product.



11. Replace the optional duplexer, if it was removed.



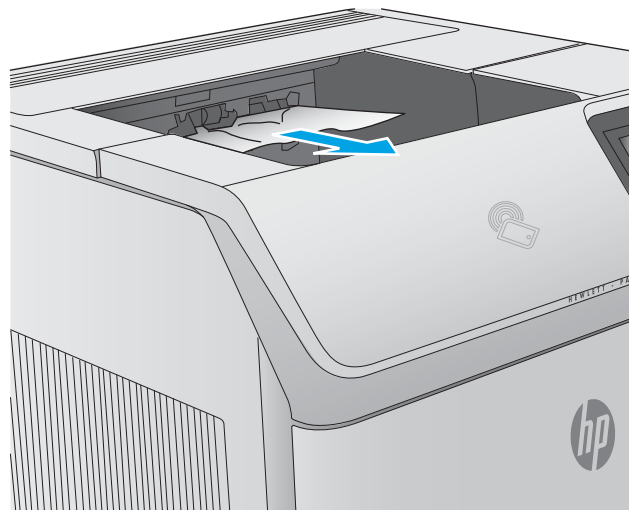
12. Turn the product on.



## Clear paper jams in the output bin

Use the following procedure to check for paper in all possible jam locations in the output bin. When a jam occurs, the control panel displays an animation that assists in clearing the jam.

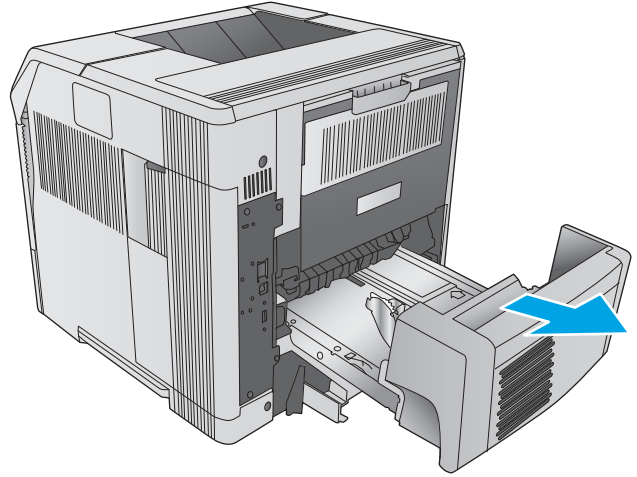
1. If paper is visible in the output bin, grasp the leading edge and remove it.



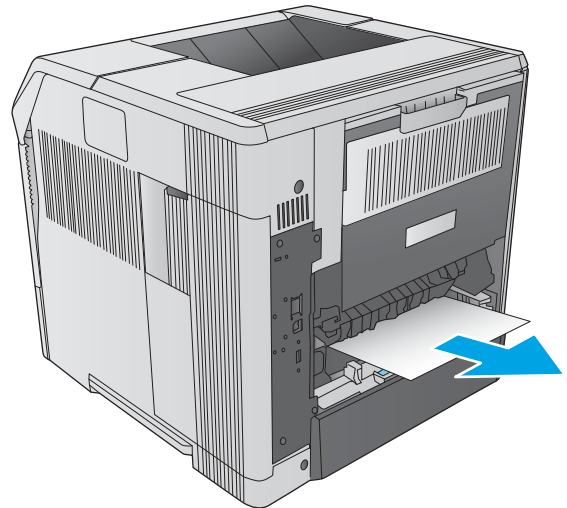
## Clear paper jams in the duplexer

Use the following procedure to check for paper in all possible jam locations in the automatic duplexer. When a jam occurs, the control panel displays an animation that assists in clearing the jam.

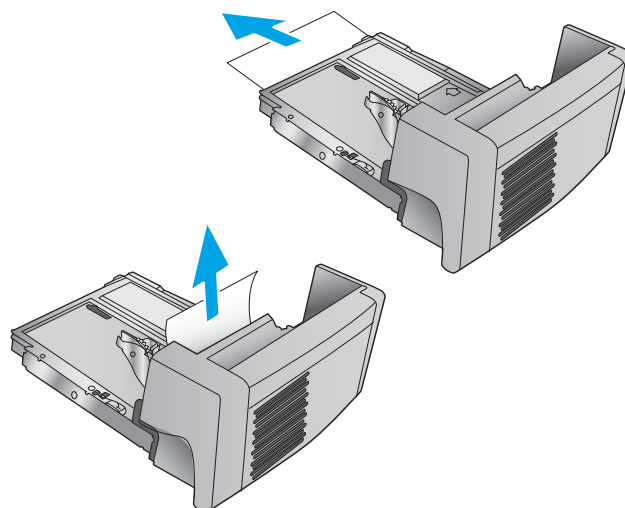
1. Lift the duplexer up and then pull it out to remove it.



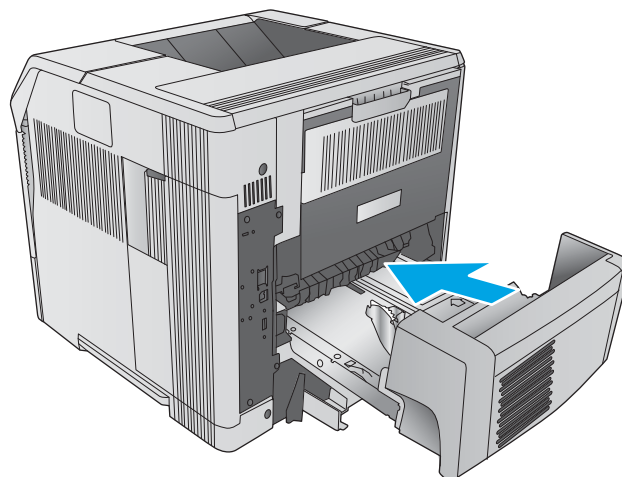
2. Remove any paper that is on top of Tray 2. (It might be necessary to reach inside the product.)



3. Slowly pull any paper out of the duplexer.



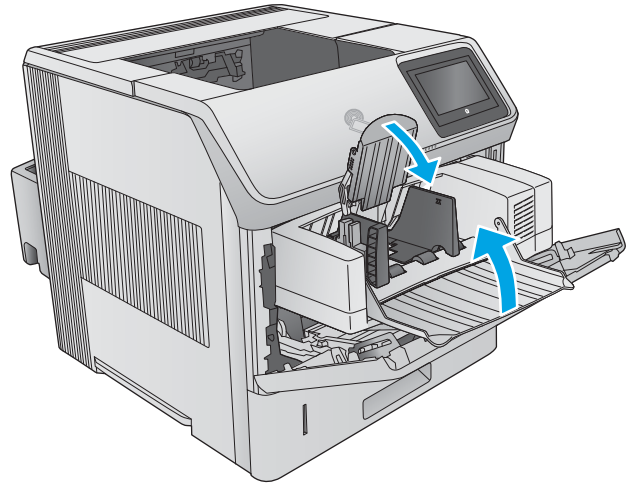
4. Insert the duplexer into the product.



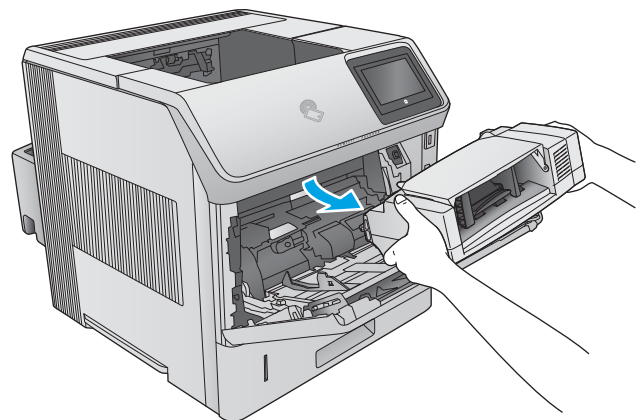
## Clear paper jams in the envelope feeder

Use the following procedure to clear jams in the envelope feeder. When a jam occurs, the control panel displays an animation that assists in clearing the jam.

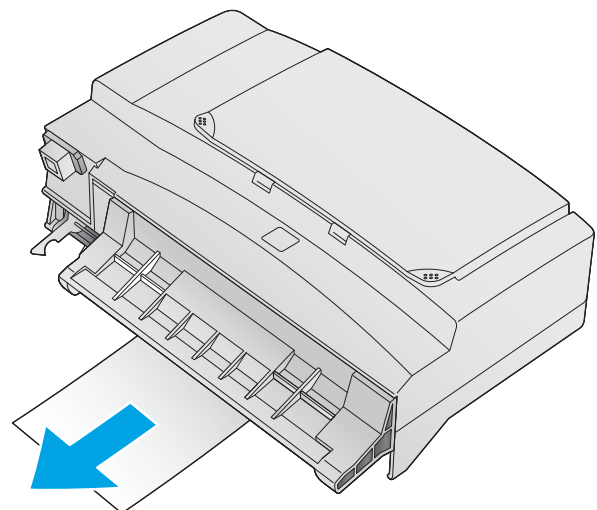
1. Remove any envelopes that are loaded in the envelope feeder. Lower the envelope weight and lift the tray extension up, to the closed position.



2. Grasp both sides of the envelope feeder and carefully pull it out of the product.

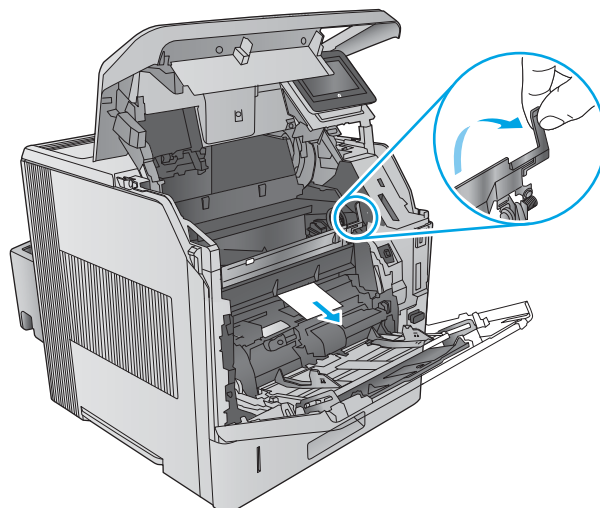


3. Slowly remove any jammed envelopes from the envelope feeder.

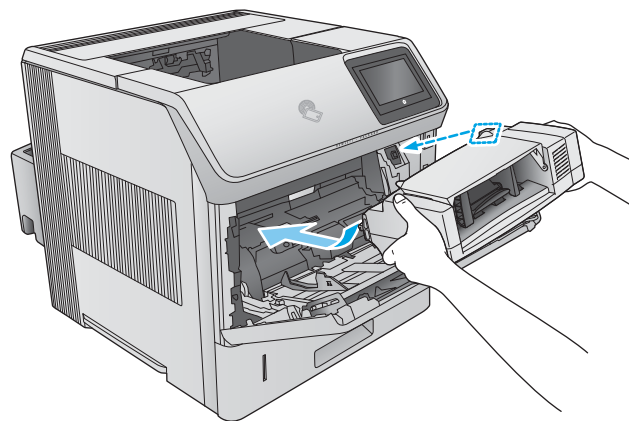




4. Slowly remove any jammed envelopes from the product.



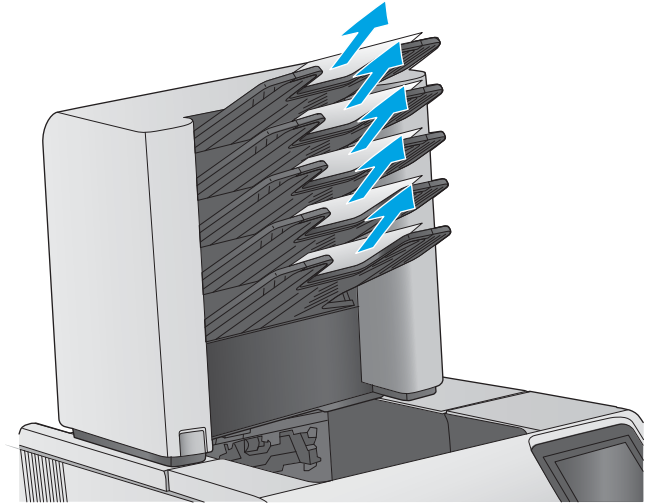
5. Install the envelope feeder.



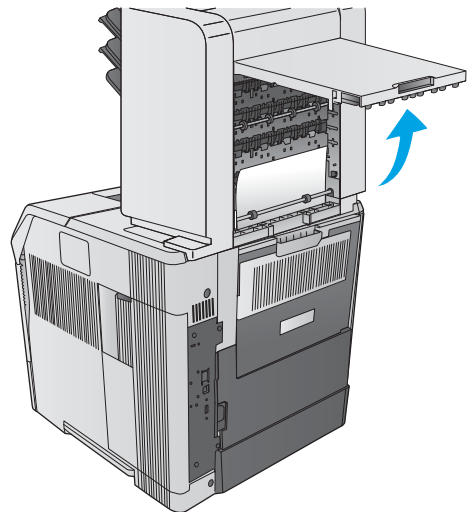
## Clear paper jams in the 5-bin mailbox

Use the following procedure to check for paper in all possible jam locations in the 5-bin mailbox. When a jam occurs, the control panel displays an animation that assists in clearing the jam.

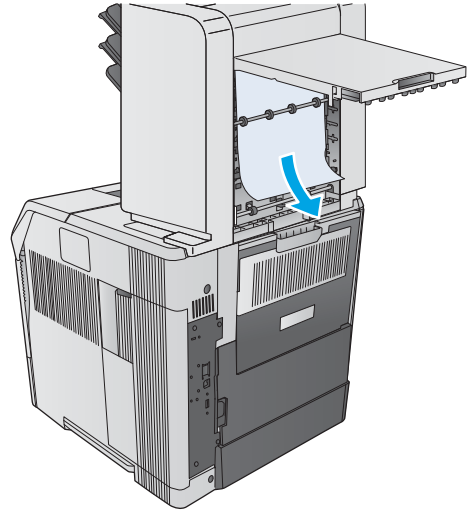
1. Remove any paper from the output bins.



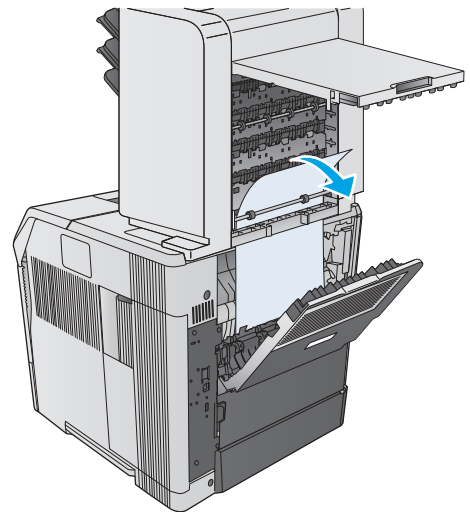
2. On the back of the 5-bin mailbox, open the jam-access door.



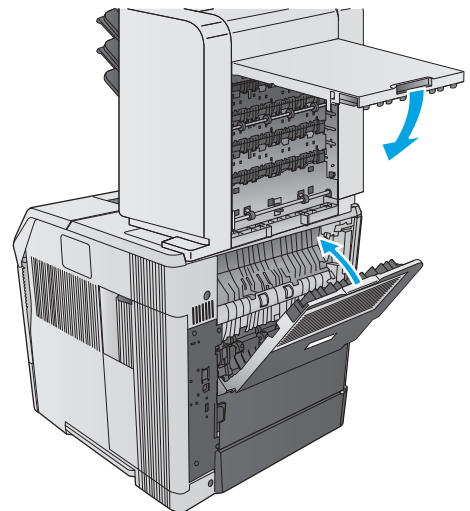
3. If the paper is jammed at the top of the 5-bin mailbox, pull it straight down to remove it.



4. If the paper is jammed at the bottom of the 5-bin mailbox, open the rear output bin, and then pull straight up on the paper to remove it.



5. Close the jam-access door and the rear output bin.



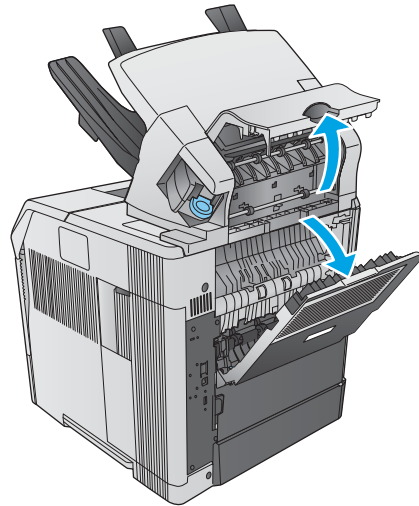
## Clear jams in the stacker or stapler/stacker

- [Clear paper jams in the stacker or stapler/stacker](#)
- [Clear staple jams in the stapler/stacker](#)

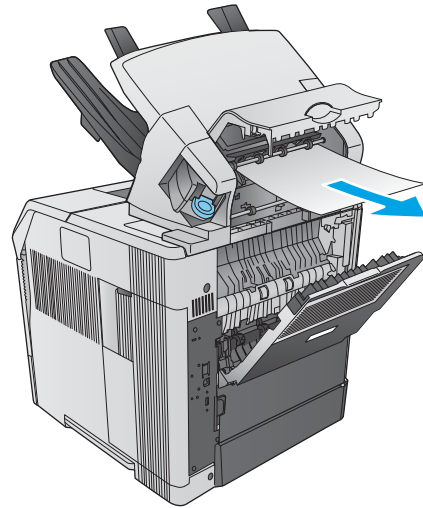
## Clear paper jams in the stacker or stapler/stacker

Use the following procedure to check for paper in all possible jam locations in the stacker or stapler/stacker. When a jam occurs, the control panel displays an animation that assists in clearing the jam.

1. At the back of the product, open the door on the stacker or stapler/stacker, and then open the rear output bin.

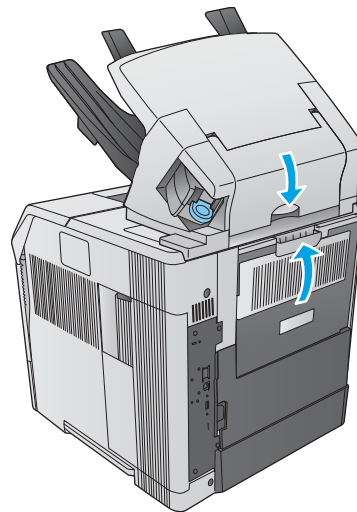


- Carefully remove any jammed paper.



- Close the door on the stacker or stapler/stacker, and close the rear output bin.

**NOTE:** The output bin must be pushed down into the lowest position for printing to continue.

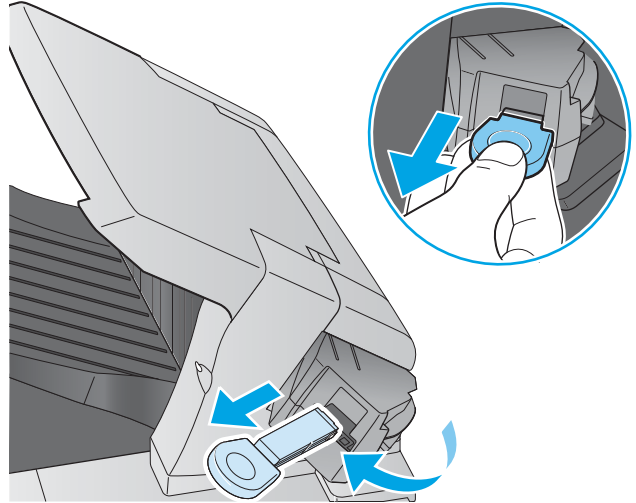


## Clear staple jams in the stapler/stacker

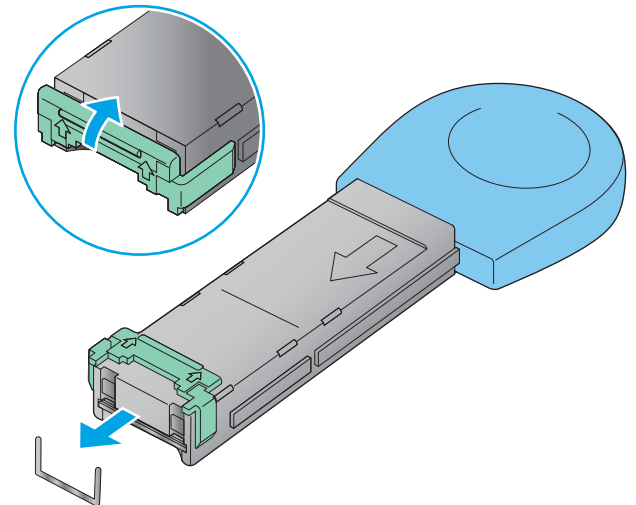
Use the following procedure to clear staple jams in the stapler/stacker. When a jam occurs, the control panel displays an animation that assists in clearing the jam.

The stapler needs to reload after clearing a staple jam, so the first few documents might not be stapled. If a print job is sent and the stapler is jammed or is out of staples, the job will still print as long as the path to the stacker bin is not blocked.

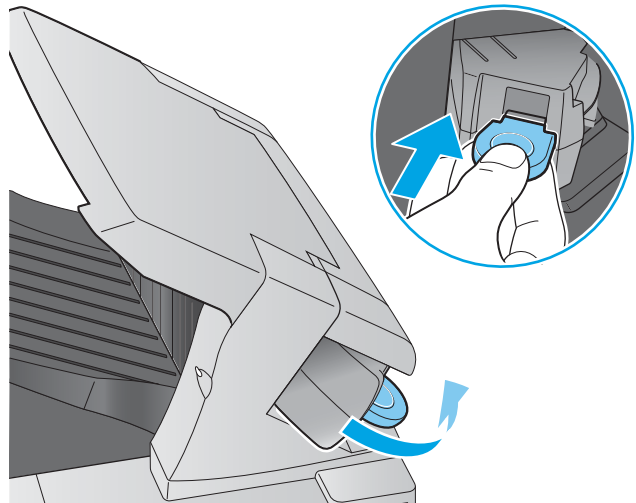
1. On the right side of the stapler/stacker, turn the stapler unit toward the front of the product until the unit clicks into the open position. Pull outward on the blue staple cartridge to remove it.



2. Rotate the green cover on the end of the staple cartridge upward, and remove the jammed staple.



3. Insert the staple cartridge into the stapler unit, and rotate the stapler unit toward the rear of the product until the unit snaps into place.



## Change jam recovery

This printer provides a jam recovery feature that reprints jammed pages.

### Change jam recovery from a touchscreen control panel

1. From the Home screen on the printer control panel, scroll to and touch the [Administration](#) button.
2. Open the [General Settings](#) menu, and then open the [Jam Recovery](#) menu.
3. Select one of the following options:
  - **Automatic** — The printer attempts to reprint jammed pages when sufficient memory is available. This is the default setting.
  - **Off** — The printer does not attempt to reprint jammed pages. Because no memory is used to store the most recent pages, performance is optimal.



---

**NOTE:** Some pages can be lost if the printer runs out of paper while printing a duplex job with Jam Recovery set to **Off**.

---

- **On** — The printer always reprints jammed pages. Additional memory is allocated to store the last few pages printed.

### Change jam recovery from a LCD control panel

1. From the [Home](#) screen on the printer control panel, use the down arrow ▼ button to scroll to [Administration](#), and then press the **OK** button.
2. Use the down arrow ▼ button to scroll to [General Settings](#), and then press the **OK** button.
3. Use the down arrow ▼ button to scroll to [Jam Recovery](#), and then press the **OK** button.
4. Use the down arrow ▼ button to scroll to an option, and then press the **OK** button to select it.
  - **Automatic** — The printer attempts to reprint jammed pages when sufficient memory is available. This is the default setting.
  - **Off** — The printer does not attempt to reprint jammed pages. Because no memory is used to store the most recent pages, performance is optimal.



---

**NOTE:** Some pages can be lost if the printer runs out of paper while printing a duplex job with Jam Recovery set to **Off**.

---

- **On** — The printer always reprints jammed pages. Additional memory is allocated to store the last few pages printed.

## Solve performance problems



**NOTE:** Tray 1 and Tray 2 are optimal for paper pickup when using special paper or media other than 20lb plain paper. For Tray 1 and Tray 2 the product increases the number of attempts to pickup a page, which increases the reliability of successfully picking the page from the tray and decreases the possibility of a mis-pick jam.

HP recommends using Tray 1 or Tray 2 if the product is experiencing excessive or reoccurring jams from trays other than Tray 1 and Tray 2, or for print jobs that require media other than 20lb plain paper.

- [Factors affecting print performance](#)
- [Print speeds](#)
- [The product does not print or it prints slowly](#)
- [The product prints slowly](#)

## Factors affecting print performance

**Table 2-67 Solve performance problems**

Problem	Cause	Solution
Pages print but are totally blank.	The document might contain blank pages.	Check the original document to see if content is present on all of the pages.
	The product might be malfunctioning.	To check the product, print a Configuration page.
Pages print very slowly.	Heavier paper types can slow the print job.	Print on a different type of paper.
	Complex pages can print slowly.	Proper fusing might require a slower print speed to ensure the best print quality.
	Large batches, narrow paper, and special paper such as gloss, transparency, cardstock, and HP Tough Paper can slow the print job.	Print in smaller batches, on a different type of paper, or on a different size of paper.
Pages did not print.	The product might not be pulling paper correctly.	Make sure paper is loaded in the tray correctly.
	The paper is jamming in the product.	Clear the jam.
	The USB cable might be defective or incorrectly connected.	<ul style="list-style-type: none"><li>• Disconnect the USB cable at both ends and reconnect it.</li><li>• Try printing a job that has printed in the past.</li><li>• Try using a different USB cable.</li></ul>
	Other devices are running on the host computer.	The product might not share a USB port. If an external hard drive or network switchbox is connected to the same port as the product, the other device might be interfering with the product. To connect and use the product, disconnect the other device or use two USB ports on the host computer.



## Print speeds

Print speed is the number of pages that print in one minute. Print speed depends on different engine-process speeds or operational pauses between printed pages during normal product operation. Factors that determine the print speed of the product include the following:

- **Page formatting time**

The product must pause for each page to be formatted before it prints. Complex pages take more time to format, resulting in reduced print speed. However, most jobs print at full engine speed.

- **Media size**

Legal-size media reduces print speed because it is longer than the standard Letter- or A4-size media. A reduce print speed is used when printing on narrow media to prevent the edges of the fuser from overheating.

- **Media mode**

Some media types require a reduced print speed to achieve maximum print quality on that media. For example, glossy, heavy, and specialty media (for example, envelopes or photos) require a reduced print speed. To maximize the print speed for special media types, make sure that the correct media type in the print driver is selected.

- **Product temperature**

To prevent product damage, print speed is reduced if the product reaches a specific internal temperature (thermal slow down). The starting temperature of the product, ambient environment temperature, and the print job size effect the number of pages that can be printed before the product reduces the print speed. Thermal slow down reduces print speed by printing four pages and then pausing for an amount of time before printing continues.

- **Other print speed reduction factors**

Other factors (especially during large print jobs) that can cause reduced print speeds include:

- Density control sequence; occurs every 150 pages and takes about 120 seconds

## The product does not print or it prints slowly

### The product does not print

If the product does not print at all, try the following solutions.

1. Make sure the product is turned on and that the control panel indicates it is ready.
  - If the control panel does not indicate the product is ready, turn the product off and then on again.
  - If the control panel indicates the product is ready, try sending the job again.
2. If the control panel indicates the product has an error, resolve the error and then try sending the job again.
3. Make sure the cables are all connected correctly. If the product is connected to a network, check the following items:

- Check the bottom LED next to the network connection on the product. If the network is active, the light is green.
  - Make sure that a network cable and not a phone cord is used to connect to the network.
  - Make sure the network router, hub, or switch is turned on and that it is working correctly.
4. Install the HP software from the CD that came with the product. Using generic printer drivers can cause delays clearing jobs from the print queue.
  5. From the list of printers on your computer, right-click the name of this product, click **Properties**, and open the **Ports** tab.
    - If a network cable is used to connect to the network, make sure the printer name listed on the **Ports** tab matches the product name on the product configuration page.
    - If a USB cable is used, and the product is connected to a wireless network, make sure the box is checked next to **Virtual printer port for USB**.
  6. If a personal firewall system on the computer is used, it might be blocking communication with the product. Try temporarily disabling the firewall to see if it is the source of the problem.
  7. If the host computer or the product is connected to a wireless network, low signal quality or interference might be delaying print jobs.

## The product prints slowly

### The product prints slowly

If the product prints, but it seems slow, try the following solutions.

1. Make sure the computer meets the minimum specifications for this product. For a list of specifications, go to this Web site: [www.hp.com/support/ljM604](http://www.hp.com/support/ljM604), [www.hp.com/support/ljM605](http://www.hp.com/support/ljM605), [www.hp.com/support/ljM606](http://www.hp.com/support/ljM606).
2. When the product is configured to print on some paper types, such as heavy paper, the product prints more slowly so it can correctly fuse the toner to the paper. If the paper type setting is not correct for the type of paper you are using, change the setting to the correct paper type.
3. If the host computer or the product is connected to a wireless network, low signal quality or interference might be delaying print jobs.

# Solve connectivity problems

- [Solve USB connection problems](#)
- [Solve wired network problems](#)

## Solve USB connection problems

If you have connected the product directly to a computer, check the cable.

- Verify that the cable is connected to the computer and to the product.
- Verify that the cable is not longer than 2 m (6.65 ft). Try using a shorter cable.
- Verify that the cable is working correctly by connecting it to another product. Replace the cable if necessary.

## Solve wired network problems

Check the following items to verify that the product is communicating with the network. Before beginning, print a configuration page from the product control panel and locate the product IP address that is listed on this page.

- [Poor physical connection](#)
- [The computer is using the incorrect IP address for the product](#)
- [The computer is unable to communicate with the product](#)
- [The product is using incorrect link and duplex settings for the network](#)
- [New software programs might be causing compatibility problems](#)
- [The computer or workstation might be set up incorrectly](#)
- [The product is disabled, or other network settings are incorrect](#)



**NOTE:** HP does not support peer-to-peer networking, as the feature is a function of Microsoft operating systems and not of the HP print drivers. For more information, go to Microsoft at [www.microsoft.com](http://www.microsoft.com).

### Poor physical connection

1. Verify that the product is attached to the correct network port using a cable of the correct length.
2. Verify that cable connections are secure.
3. Look at the network port connection on the back of the product, and verify that the amber activity light and the green link-status light are lit.
4. If the problem continues, try a different cable or port on the hub.

### The computer is using the incorrect IP address for the product

1. Open the printer properties and click the **Ports** tab. Verify that the current IP address for the product is selected. The product IP address is listed on the product configuration page.
2. If you installed the product using the HP standard TCP/IP port, select the box labeled **Always print to this printer, even if its IP address changes**.

3. If you installed the product using a Microsoft standard TCP/IP port, use the hostname instead of the IP address.
4. If the IP address is correct, delete the product and then add it again.

### The computer is unable to communicate with the product

1. Test network communication by pinging the network.
  - a. Open a command-line prompt on your computer. For Windows, click **Start**, click **Run**, type `cmd`, and then press **Enter**.
  - b. Type `ping` followed by the IP address for your product.  
  
For Mac OS X, open the Network Utility, and then supply the IP address in the correct field in the **Ping** pane.
  - c. If the window displays round-trip times, the network is working.
2. If the ping command failed, verify that the network hubs are on, and then verify that the network settings, the product, and the computer are all configured for the same network.

### The product is using incorrect link and duplex settings for the network

Hewlett-Packard recommends leaving these settings in automatic mode (the default setting). If you change these settings, you must also change them for your network.

### New software programs might be causing compatibility problems

Verify that any new software programs are correctly installed and that they use the correct print driver.

### The computer or workstation might be set up incorrectly

1. Check the network drivers, print drivers, and the network redirection settings.
2. Verify that the operating system is configured correctly.

### The product is disabled, or other network settings are incorrect

1. Review the configuration page to check the status of the network protocol. Enable it if necessary.
2. Reconfigure the network settings if necessary.

# Service mode functions

- [Service menu](#)
- [Product resets](#)
- [Format Disk and Partial Clean functions](#)

## Service menu

The [Service](#) menu is PIN-protected for added security. Only authorized service people have access to the [Service](#) menu. When selecting [Service](#) from the list of menus, the product prompts the user to enter an eight-digit personal identification number (PIN).



**NOTE:** The product automatically exits the [Service](#) menu after about one minute if no items are selected or changed.

### Open the service menu from a touchscreen control panel

1. From the Home screen on the product control panel, scroll to and touch the [Device Maintenance](#) button.
2. Open the [Service](#) menu.
3. On the sign-in screen, select [Service Access Code](#) from the drop-down list.
4. Enter the following service access code for the product:
  - 04060415
  - 04060515
  - 04060615

### Open the service menu from a LCD control panel

1. From the [Home](#) screen on the product control panel, use the down arrow ▼ button to scroll to [Device Maintenance](#), and then press the [OK](#) button.
2. Use the down arrow ▼ button to scroll to [Service](#), and then press the [OK](#) button to select it.
3. Use the down arrow ▼ button to scroll to [Service Access Code](#), and then press the [OK](#) button to select it.
4. Enter the following service access code for the product:



**NOTE:** After entering the PIN, press the [OK](#) button.

- 04060415
- 04060515
- 04060615

The following menu items appear in the [Service](#) menu:

First level	Second level	Value	Description
<a href="#">Event Log</a>	<a href="#">Print</a>		Print the event log.

First level	Second level	Value	Description
Clear Event Log	Clear		Use this item to clear the product event log.
Cycle Counts	Total Engine Cycles		Set the page count that was stored in NVRAM prior to installing a new formatter.
	Refurbish Cycle Count		Use this item to record the page count when the product was refurbished.
Serial Number			Set the serial number.
Service ID			Use this item to show the date that the product was first used on the control panel. This eliminates the need for users to keep paper receipts for proof of warranty.
Cold Reset Paper			When you perform a cold reset, the paper size that is stored in NVRAM is reset to the default factory setting. If you replace a formatter board in a country/region that uses A4 as the standard paper size, use this menu to reset the default paper size to A4. LETTER and A4 are the only available values.
Low Alerts		Enable Disable	Turn on (or off) low alerts (for supplies).
Reset Low Alerts			<ul style="list-style-type: none"> <li>• Reset to level 1</li> <li>• Reset to level 2</li> <li>• Reset to level 3</li> <li>• Set to non-HP managed mode</li> </ul>
Test Support	Continuous Print from USB		

## Product resets

### Restore factory-set defaults



**NOTE:** The product restarts automatically after the reset operation completes.

#### Restore factory-set defaults from a touchscreen control panel

1. From the Home screen on the product control panel, scroll to and touch the **Administration** button.
2. Open the following menus:

- [General Settings](#)
  - [Restore Factory Settings](#)
3. A verification message advises that completing the reset function might result in loss of data. Touch the [Reset](#) button to complete the process.

### Restore factory-set defaults from a LCD control panel

1. From the [Home](#) screen on the product control panel, use the down arrow ▼ button to scroll to [Administration](#), and then press the [OK](#) button.
2. Use the down arrow ▼ button to scroll to [General Settings](#), and then press the [OK](#) button to select it.
3. Use the down arrow ▼ button to scroll to [Restore Factory Settings](#), and then press the [OK](#) button to select it.
4. Use the down arrow ▼ button to scroll to [Restore](#), and then press the [OK](#) button to select it.
5. A verification message advises that completing the reset function might result in loss of data. Touch the [Reset](#) button to complete the process.

## Restore the service ID

### Restore the service ID

When replacing the formatter, the date is lost. Use this menu item to reset the date to the original date that the product was first used. The date format is YYDDD. Use the following formula to calculate the dates:

1. To calculate YY, subtract 1990 from the calendar year. For instance, if the product was first used in 2002, calculate YY as follows:  $2002 - 1990 = 12$ .  $YY = 12$ .
2. Subtract 1 from 10 (October is the tenth month of the year):  $10 - 1 = 9$ .
  - Multiply 9 by 30:  $9 \times 30 = 270$  or add 17 to 270:  $270 + 17 = 287$ . Thus,  $DDD = 287$ .

### Convert the service ID to an actual date

Use the product Service ID number to determine whether the product is still under warranty. Use the following formula to convert the Service ID into the installation date as follows:

1. Add 1990 to YY to get the actual year that the product was installed.
2. Divide DDD by 30. If there is a remainder, add 1 to the result. This is the month.
3. The remainder from the calculation in step 2 is the date.

Using the Service ID 12287 as an example, the date conversion is as follows:

1.  $12 + 1990 = 2002$ , so the year is 2002.
2.  $287$  divided by  $30 = 9$  with a remainder of 17. Because there is a remainder, add 1 to 9 to get 10, which represents October.
3. The remainder in step 2 is 17, so that is the date.
4. The complete date is 17-October-2002.



**NOTE:** A six-day grace period is built into the date system.

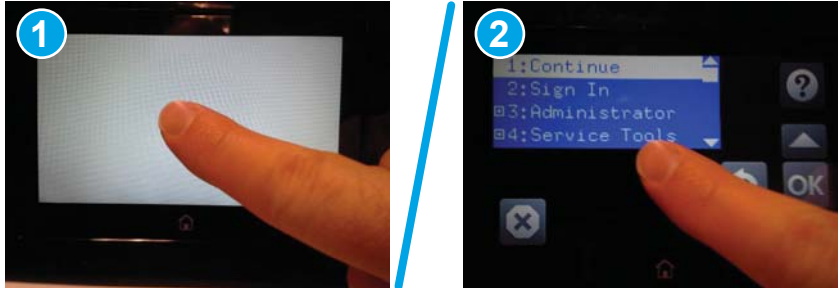
## Product cold reset

### Cold reset using the Pre-boot menu from a touchscreen control panel

**CAUTION:** This procedure resets all product configurations and settings to factory defaults (customer configurations and settings are lost).

1. Touch the HP logo in the middle of the control-panel display when you see the 1/8 under the logo.

**Figure 2-150** Open the Pre-boot menu




2. Use the down arrow ▼ button to highlight the +3:Administrator item, and then touch the OK button.
3. Use the down arrow ▼ button to highlight the +8:Startup Options item, and then touch the OK button.
4. Use the down arrow ▼ button to highlight the 2 Cold Reset item, and then touch the OK button to select it.
5. Touch the Home button to return to the main Pre-boot menu and highlight the 1:Continue item, and then touch the OK button.

**NOTE:** The product will initialize.

### Cold reset using the Pre-boot menu from a LCD control panel

**CAUTION:** This procedure resets all product configurations and settings to factory defaults (customer configurations and settings are lost).


1. Press the Cancel  button when you see the 1/8 under the logo.
2. Use the down arrow ▼ button to highlight the +3:Administrator item, and then press the OK button.
3. Use the down arrow ▼ button to highlight the +8:Startup Options item, and then press the OK button.
4. Use the down arrow ▼ button to highlight the 2 Cold Reset item, and then press the OK button to select it.
5. Touch the Home button to return to the main Pre-boot menu and highlight the 1:Continue item, and then touch the OK button.

**NOTE:** The product will initialize.



## Format Disk and Partial Clean functions

---

 **NOTE:** Only for products with an optional hard-disk drive (HDD) installed).

---

### Active and repository firmware locations

The firmware bundle consists of multiple parts. The main components are the Windows CE Operating System and the product/peripheral firmware files.


There are two locations/partitions on the hard drive where the firmware components are stored:

- The Active, where the operating system and firmware currently are executing.
- The Repository, the recovery location.

If the Active location is damaged, or a [Partial Clean](#) was performed, the product automatically copies over the OS and firmware files from the Repository location and the product recovers.

If both the Active and Repository locations are damaged, or a [Format Disk](#) was performed, then both locations are gone and the error message **99.09.67** displays on the control-panel display. The user must upload the firmware to the product in order for it to function again.

---

 **CAUTION:** The [Format Disk](#) option performs a disk initialization for the entire disk. The operating system, firmware files, and third party files (among other files) will be completely lost. HP does not recommend this action.

---

### Partial Clean

The [Partial Clean](#) option erases all partitions and data on the disk drive, except for the firmware repository where a backup copy of the firmware file is stored. This allows the disk drive to be reformatted without having to download a firmware upgrade file to return the product to a bootable state.

#### Characteristics of a Partial Clean

- Customer-defined settings, third-party solutions, firmware files, and the operating system are deleted.
- Rebooting the product restores the firmware files from the Repository location, but does not restore any customer-defined settings.
- For previous HP products, a Hard Disk Initialization is similar to executing the [Partial Clean](#) function for this product.

---


 **CAUTION:** HP recommends backing-up product configuration data before executing a [Partial Clean](#) to retain customer-defined settings (if needed). See the [Backup/Restore](#) item in the [Device Maintenance](#) menu.

---

#### Reasons for performing Partial Clean

- The product continually boots up in an error state.

---

 **NOTE:** Try clearing the error prior to executing a [Partial Clean](#).

---

- The product will not respond to commands from the control panel.
- Executing the [Partial Clean](#) function is helpful for troubleshooting hard disk problems.

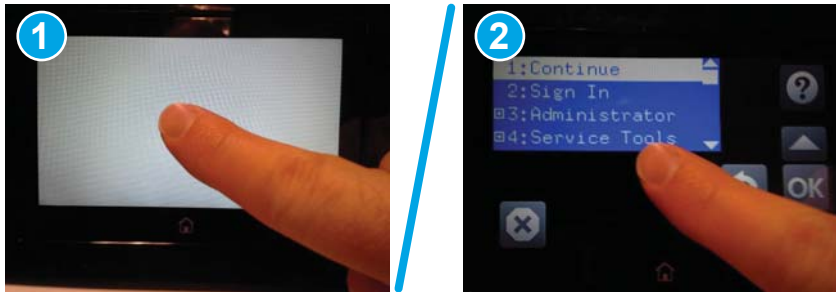
- To reset the product by deleting all solutions and customer-defined settings.
- The product default settings are not properly working.

## Execute a Partial Clean


### Execute a Partial Clean from a touchscreen control panel

1. Touch the HP logo in the middle of the control-panel display when you see the 1/8 under the logo.


**Figure 2-151** Open the Pre-boot menu





2. Use the down arrow ▼ button to highlight the +3:Administrator item, and then touch the OK button.
3. Use the down arrow ▼ button to highlight Partial Clean and then touch the OK button.
4. Touch the OK button again.
5. Touch the Home button to highlight Continue, and then touch the OK button.

 **NOTE:** The product initializes.

### Execute a Partial Clean from a LCD control panel

 **CAUTION:** This procedure resets all product configurations and settings to factory defaults (customer configurations and settings are lost).

1. Press the Cancel  button when you see the 1/8 under the logo.
2. Use the down arrow ▼ button to highlight the +3:Administrator item, and then press the OK button.
3. Use the down arrow ▼ button to highlight Partial Clean and then press the OK button.
4. Press the OK button again.
5. Press the Home button to highlight Continue, and then press the OK button.

 **NOTE:** The product initializes.

## Format Disk


The **Format Disk** option erases the entire disk drive.

 **CAUTION:** After executing a **Format Disk** option, the product is *not* bootable.

## Characteristics of a Format Disk


- Customer-defined settings, third-party solutions, firmware files, and the operating system are deleted.

---

 **NOTE:** Rebooting the product *does not* restore the firmware files.

---

- Rebooting the product restores the firmware files from the Repository location, but does not restore any customer-defined settings.
- After executing the [Format Disk](#) function, the message **99.09.67** displays on the control panel.
- After executing the [Format Disk](#) function, the product firmware must be reloaded.

 **CAUTION:** HP recommends not using the [Format Disk](#) option unless an error occurs and the solution in the product service manual recommends this solution. After executing the [Format Disk](#) function, the product is unusable.


HP recommends backing-up product configuration data before executing a [Format Disk](#) to retain customer-defined settings (if needed). See the [Backup/Restore](#) item in the [Device Maintenance](#) menu.

---

## Reasons for performing Format Disk

- The product continually boots up in an error state.

---

 **NOTE:** Try clearing the error prior to executing a [Format Disk](#).

---

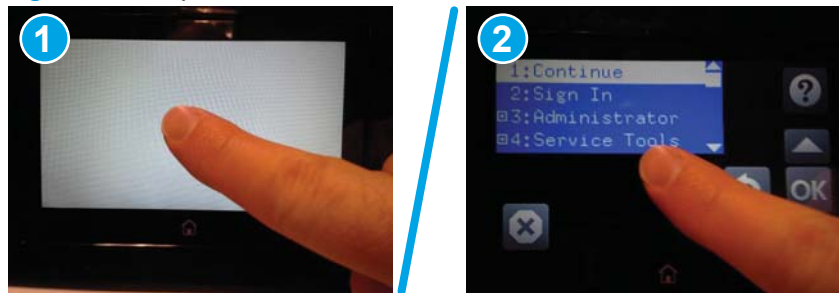
- The product will not respond to commands from the control panel.
- Executing the [Format Disk](#) function is helpful for troubleshooting hard disk problems.
- To reset the product by deleting all solutions and customer-defined settings.

## Execute a Format Disk

### Execute a Format Disk from a touchscreen control panel

1. Touch the HP logo in the middle of the control-panel display when you see the **1/8** under the logo.

**Figure 2-152** Open the Pre-boot menu



2. Use the down arrow ▼ button to highlight the **+3:Administrator** item, and then touch the **OK** button.
3. Use the down arrow ▼ button to highlight **Format Disk**, and then touch the **OK** button.
4. Touch the **OK** button again.


---

 **NOTE:** When the [Format Disk](#) operation is complete, reload the product firmware.


---

## Execute a Format Disk from a LCD control panel

---

 **CAUTION:** This procedure resets all product configurations and settings to factory defaults (customer configurations and settings are lost).

---

1. Press the **Cancel**  button when you see the **1/8** under the logo.
2. Use the down arrow ▼ button to highlight the **+3:Administrator** item, and then press the **OK** button.
3. Use the down arrow ▼ button to highlight **Format Disk**, and then press the **OK** button.
4. Press the **OK** button again.

 **NOTE:** When the **Format Disk** operation is complete, reload the product firmware.


---

# Firmware upgrades


To download the most recent firmware upgrade for the product, go to:

- In the US, go to [www.hp.com/support/ljM604](http://www.hp.com/support/ljM604), [www.hp.com/support/ljM605](http://www.hp.com/support/ljM605), [www.hp.com/support/ljM606](http://www.hp.com/support/ljM606).
  - a. Select **Get drivers, Software, and Firmware**, and then select the appropriate product by name.


---

 **NOTE:** More than one product model might be listed. Make sure to select the correct model so that the upgraded firmware supports all of the product functions.
  - b. Select the driver language and operating system.
  - c. Locate the firmware download, and then select **Download**.
- Outside the U.S., go to [www.hp.com/support](http://www.hp.com/support).
  - a. Select your country/region.
  - b. Select **Drivers & Downloads**.
  - c. Enter the product name in the **Find my product** dialogue box, and then select **Go**.

---

 **TIP:** Click on the **How do I find my product name/number?** link to see a short video on identifying the printer name and number.
  - d. Select the appropriate product by name.

---

 **NOTE:** More than one product model might be listed. Make sure to select the correct model so that the upgraded firmware supports all of the product functions.
  - e. Select the driver language and operating system.
  - f. Locate the firmware download, and then select **Download**.
- [Determine the installed revision of firmware](#)
- [Perform a firmware upgrade](#)

## Determine the installed revision of firmware



**NOTE:** Print a configuration page to determine the installed revision of firmware.

---

### Print the configuration page from a touchscreen control panel

1. From the [Home](#) screen on the product control panel, scroll to and touch the [Administration](#) button.
2. Open the following menus:
  - [Reports](#)
  - [Configuration/Status Pages](#)
3. Touch [Configuration Page](#) to select it.
4. Touch the [Print](#) button to print the pages.

### Print the configuration page from a LCD control panel

1. From the [Home](#) screen on the product control panel, use the down arrow ▼ button to scroll to [Administration](#), and then press the [OK](#) button.
2. Open the following menus:
  - [Reports](#)
  - [Configuration/Status Pages](#)
3. Use the down arrow ▼ button to scroll to [Configuration Page](#), and then press the [OK](#) button to select it.
4. Use the up arrow ▲ button to scroll to [Print](#), and then press the [OK](#) button to print the pages.

## Perform a firmware upgrade

The firmware bundle is a .bdl file. This file requires an interactive upgrade method. The traditional FTP, LPR or Port 9100 methods of upgrading are not available. Use one of the following methods to upgrade the firmware for this product.

### HP Embedded Web Server



---

**NOTE:** The product should be at the **Ready** state.

The firmware update might take 10 minutes or longer based on the input/output (I/O) transfer rates and the time it takes for the product to reinitialize.

---

1. Open an Internet browser window.
2. Enter the product IP address in the URL line.
3. Select the **Firmware Upgrade** link from the **General** tab or from the **Troubleshooting** tab.
4. Browse to the location that the firmware upgrade file was downloaded to, and then select the firmware file—the file has a .bdl file extension. Select the **Install** button to perform the upgrade.




---

**NOTE:** Do not close the browser window OR interrupt communication until the HP Embedded Web Server (EWS) displays the confirmation page.

---

5. Select **Restart Now** from the EWS confirmation page, or turn the product off, and then on again using the power switch.
6. After the product reinitializes, print a configuration page and verify that the latest firmware version has been installed.

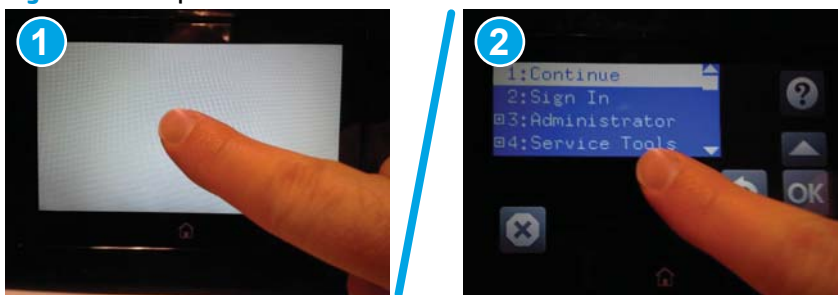
## USB flash drive (Pre-boot menu)

 **IMPORTANT:** Only use this method of performing a firmware upgrade if the product cannot initialize to the **Ready** state.

### USB flash drive firmware (Pre-boot menu) update from a touchscreen control panel

1. Copy the .bdl file to a portable USB flash drive.
2. Touch the HP logo in the middle of the control-panel display when you see the 1/8 under the logo.

**Figure 2-153** Open the Pre-boot menu




3. Touch the down arrow ▼ button to highlight **+3 Administrator**, and then touch the **OK** button.
4. If necessary, touch the down arrow ▼ button to highlight **+1 Download**, and then touch the **OK** button.
5. Insert the USB flash drive with the .bdl file on it.

 **NOTE:** If the error message **No USB Thumbdrive Files Found** displays on the control-panel display, try using a different portable storage device.


6. Touch the down arrow ▼ button to highlight **USB Thumbdrive**, and then touch the **OK** button.
7. Touch the down arrow ▼ button to highlight the .bdl file, and then touch the **OK** button.

 **NOTE:** The upgrade process can take 10 minutes or longer to complete.

 **TIP:** If there is more than one .bdl file on the storage device, make sure to select the correct file for this printer.

8. When the message **Complete** displays on the control-panel display, touch the ▼ button several times until the message **Continue** displays.
9. Touch the **OK** button to begin the upgrade. When the upgrade is complete, the printer will initialize to the **Ready** state.
10. When the upgrade process is complete, print a configuration page and verify that the upgrade firmware version was installed.

### USB flash drive firmware (Pre-boot menu) update from a LCD control panel

1. Press the **Cancel**  button when you see the 1/8 under the logo.
2. Press the down arrow ▼ button to highlight **+3 Administrator**, and then press the **OK** button.
3. If necessary, press the down arrow ▼ button to highlight **+1 Download**, and then press the **OK** button.
4. Insert the USB flash drive with the .bdl file on it.



---


 **NOTE:** If the error message **No USB Thumbdrive Files Found** displays on the control-panel display, try using a different portable storage device.

---

5. Press the down arrow ▼ button to highlight **USB Thumbdrive**, and then press the **OK** button.
6. Press the down arrow ▼ button to highlight the .bdl file, and then press the **OK** button.

---


 **NOTE:** The upgrade process can take 10 minutes or longer to complete.


 **TIP:** If there is more than one .bdl file on the storage device, make sure to select the correct file for this product.

---

7. When the message **Complete** displays on the control-panel display, turn the product power off, and then on again.
8. When the upgrade process is complete, print a configuration page and verify that the upgrade firmware version was installed.


## USB flash drive (control-panel menu)

 **NOTE:** USB flash drives that are not using a FAT32 format, or do not have a CD formatted partition, might not be recognized by the product. If the product does not recognize a USB flash drive, try using a different USB flash drive.

 **TIP:** The USB port on the product must be enabled. If it is disabled, use the [Enable Retrieve from USB](#) item in the [General Settings](#) menu to enable it.

### USB flash drive firmware (control-panel menu) update from a touchscreen control panel

1. Copy the .bdl file to a portable USB flash drive.
2. Turn the product on, and then wait until it reaches the **Ready** state.
3. From the [Home](#) screen on the product control panel, scroll to and touch the [Device Maintenance](#) button.
4. Touch the [USB Firmware Upgrade](#) button.
5. Insert the portable USB storage device with the .bdl file on it into the USB port on the front of the product.
6. Touch the .bdl file, and then touch the [Upgrade](#) button.

 **TIP:** If there is more than one .bdl file on the storage device, make sure to select the correct file for this product.

7. Select one of the following options:

- [Upgrade](#)


 **NOTE:** The upgrade process can take 10 minutes or longer to complete.

- [Re-install](#)
- [Downgrade](#)

8. When the upgrade is complete, the product will initialize to the **Ready** state. Print a configuration page and verify that the upgrade firmware version was installed.

### USB flash drive firmware (control-panel menu) update from a LCD control panel

1. From the [Home](#) screen on the product control panel, use the down arrow ▼ button to scroll to [Device Maintenance](#), and then press the [OK](#) button.
2. Open the following menus:
  - [USB Firmware Upgrade](#)
3. Insert the portable USB storage device with the .bdl file on it into the USB port on the product.
4. If necessary, use the down arrow ▼ button to scroll to the appropriate .bdl file, and then press the [OK](#) button to select.
5. Use the down arrow ▼ button to scroll to [Upgrade](#), and then press the [OK](#) button to start the firmware upgrade.

 **NOTE:** If the firmware in the .bdl file on the portable USB storage device matches the installed firmware on the product, [Upgrade](#) is replaced by [Re-Install](#).

---

# A Printer specifications

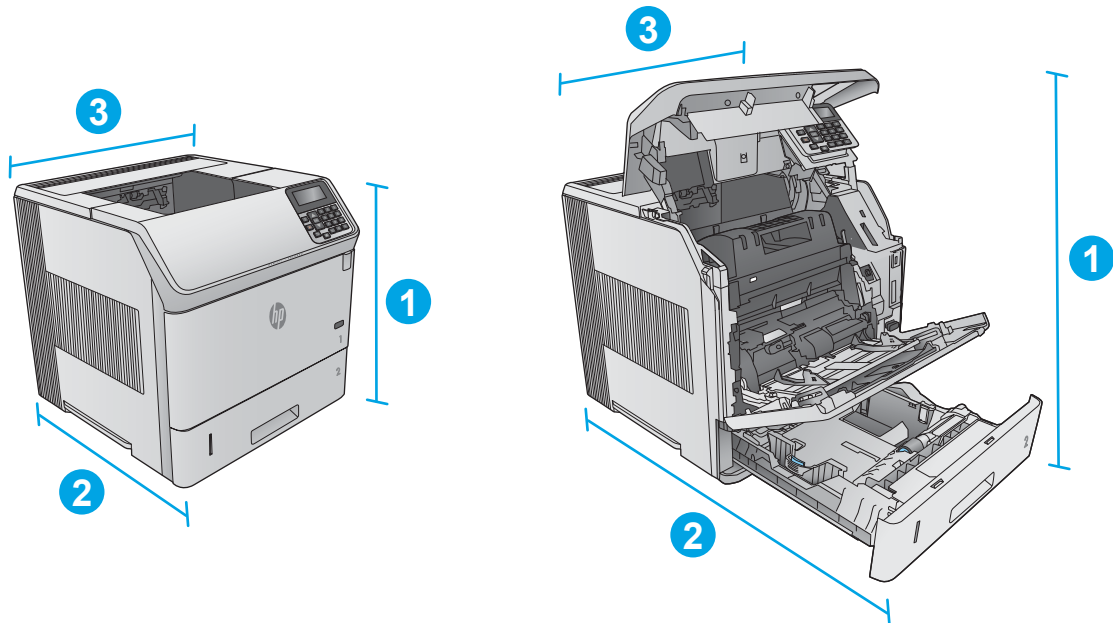
- [Printer dimensions](#)
- [Printer space requirements](#)
- [Power consumption, electrical specifications, and acoustic emissions](#)
- [Operating-environment range](#)
- [Certificate of Volatility](#)

# Printer dimensions

The following illustrations show the dimensions for the products as sold, for the optional input and output accessories, and for several sample configurations of the printer combined with optional accessories.

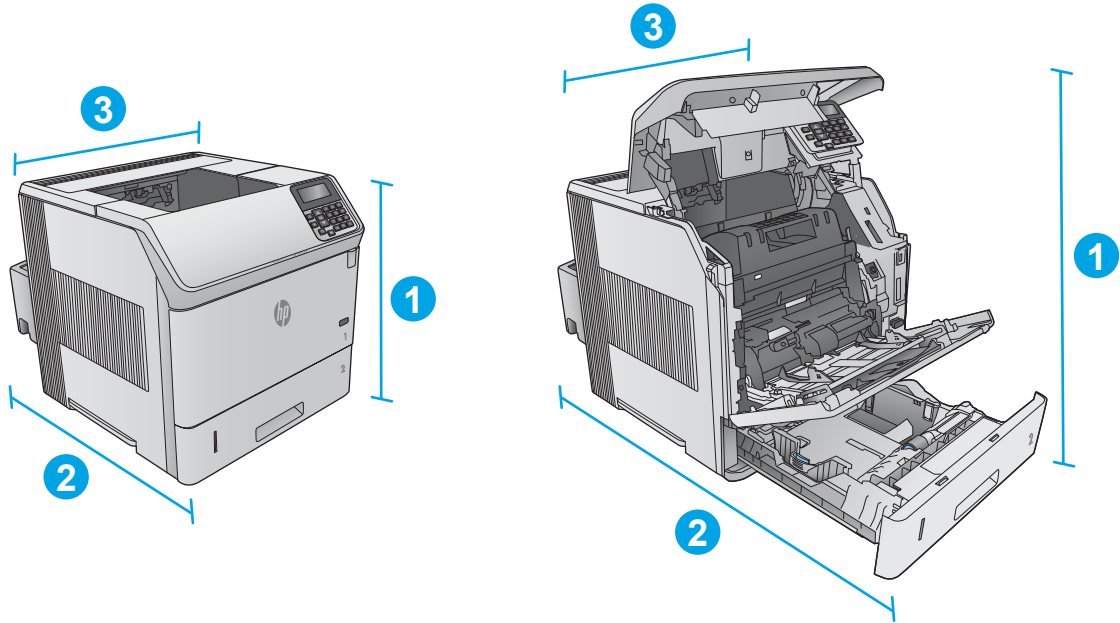
## Dimensions for the products, as sold

Figure A-1 Dimensions for the n models



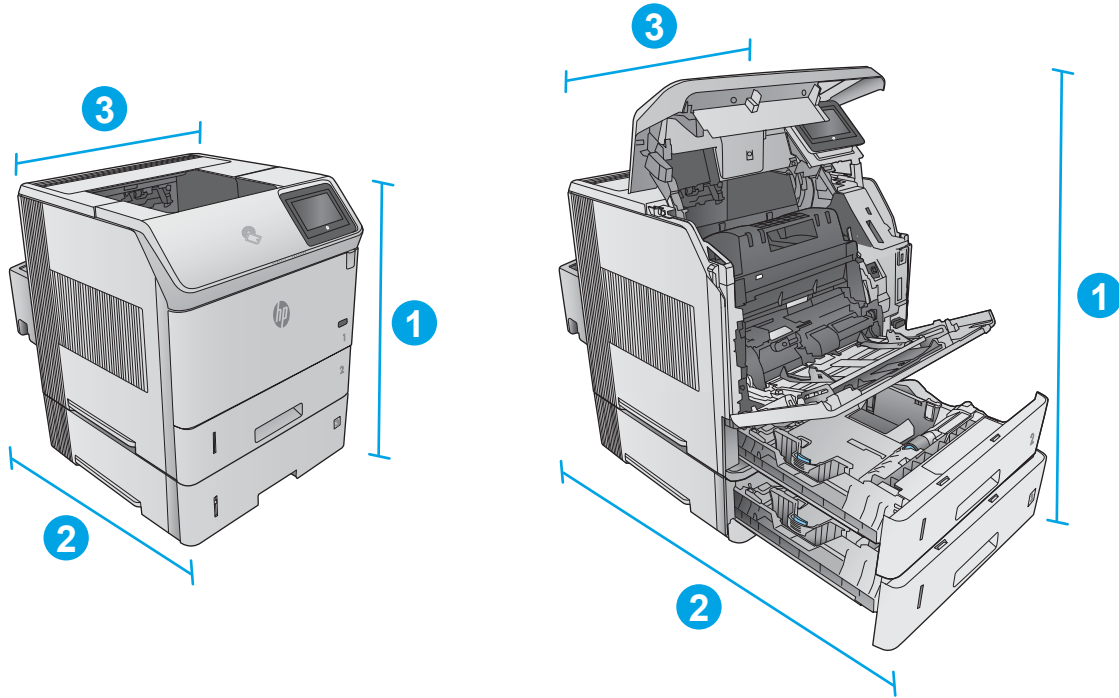
	Printer fully closed	Printer fully opened
1. Height	399 mm (15.7 in)	574 mm (22.5 in)
2. Depth	451 mm (17.8 in)	754 mm (29.7 in)
3. Width	425 mm (16.7 in)	425 mm (16.7 in)
Weight	22.6 kg (49.7 lb)	

**Figure A-2** Dimensions for the dn models



	<b>Printer fully closed</b>	<b>Printer fully opened</b>
1. Height	399 mm (15.7 in)	574 mm (22.5 in)
2. Depth	537 mm (21.1 in)	840 mm (33 in)
3. Width	425 mm (16.7 in)	425 mm (16.7 in)
Weight	25.9 kg (57 lb)	

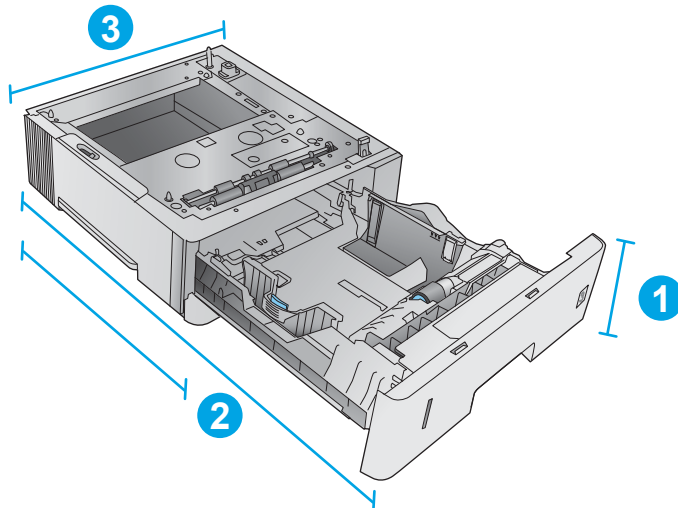
**Figure A-3** Dimensions for the x models



	<b>Printer fully closed</b>	<b>Printer fully opened</b>
1. Height	521 mm (20.5 in)	695 mm (27.4 in)
2. Depth	537 mm (21.1 in)	840 mm (33 in)
3. Width	425 mm (16.7 in)	425 mm (16.7 in)
Weight	32.5 kg (71.5 lb)	

## Dimensions for the input and output accessories

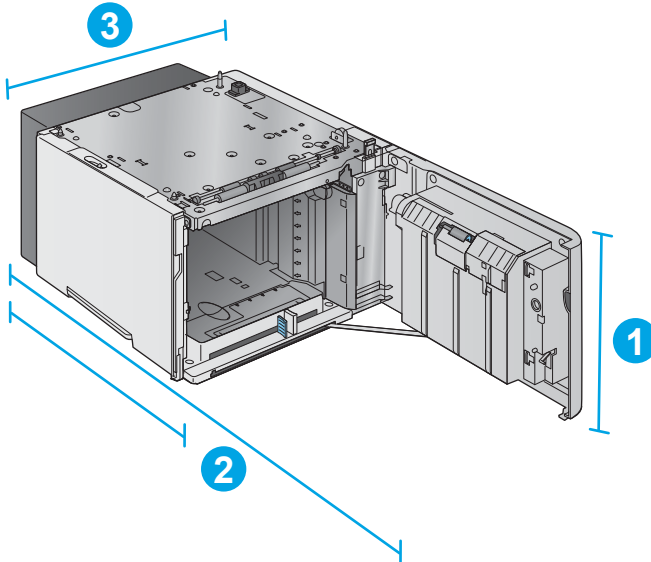
**Figure A-4** Dimensions for the 1 x 500-sheet paper feeder



1. Height	121 mm (4.8 in)
-----------	-----------------

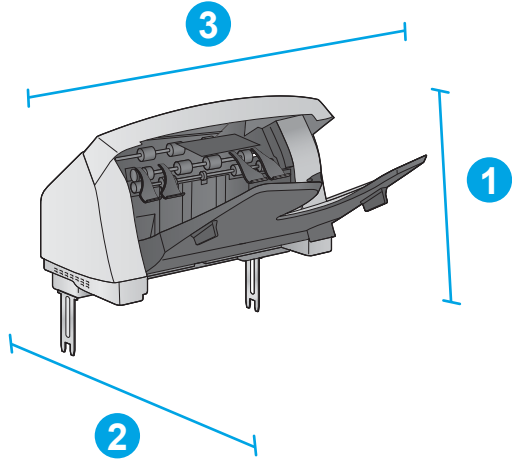
2. Depth	Tray closed: 448 mm (17.7 in) Tray opened: 864 mm (34 in)
3. Width	415 mm (16.3 in)
Weight	6.7 kg (14.7 lb)

**Figure A-5** Dimensions for the 1,500-sheet high-capacity input tray



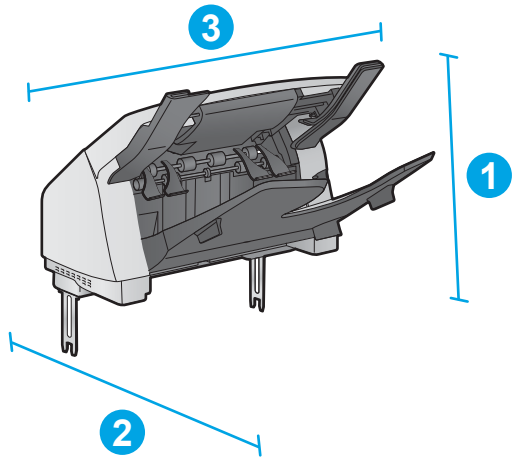
1. Height	264 mm (10.4 in)
2. Depth	Door closed: 448 mm (17.7 in) Door opened: 902 mm (35.5 in)
3. Width	415 mm (16.3 in)
Weight	13 kg (14.7 lb)

**Figure A-6** Dimensions for the stacker



1. Height	304 mm (12 in)
2. Depth	430 mm (16.9 in)
3. Width	378 mm (14.9 in)
Weight	3.2 kg (7.1 lb)

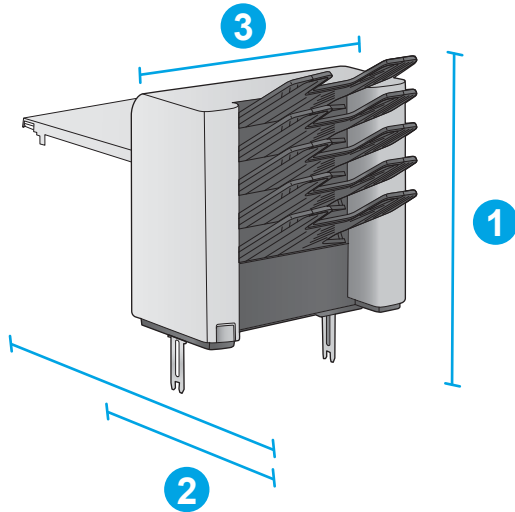
**Figure A-7** Dimensions for the stapler/stacker



1. Height	371 mm (14.6 in)
2. Depth	430 mm (16.9 in)
3. Width	387 mm (15.2 in)
Weight	4.2 kg (9.3 lb)

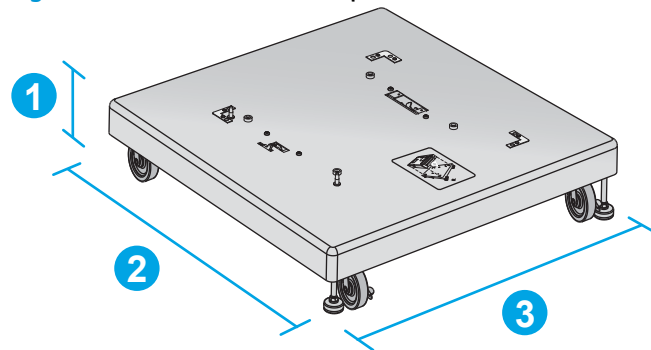


**Figure A-8** Dimensions for the 5-bin mailbox



1. Height	522 mm (20.6 in)
2. Depth	Rear door closed: 306 mm (12 in) Rear door opened: 589 mm (23.2 in)
3. Width	353 mm (13.9 in)
Weight	7.0 kg (15.4 lb)

**Figure A-9** Dimensions for the printer stand



1. Height	114 mm (4.5 in)
2. Depth	653 mm (25.7 in)
3. Width	663 mm (26.1 in)
Weight	13.6 kg (30 lb)

## Dimensions for sample combinations of the products and optional accessories

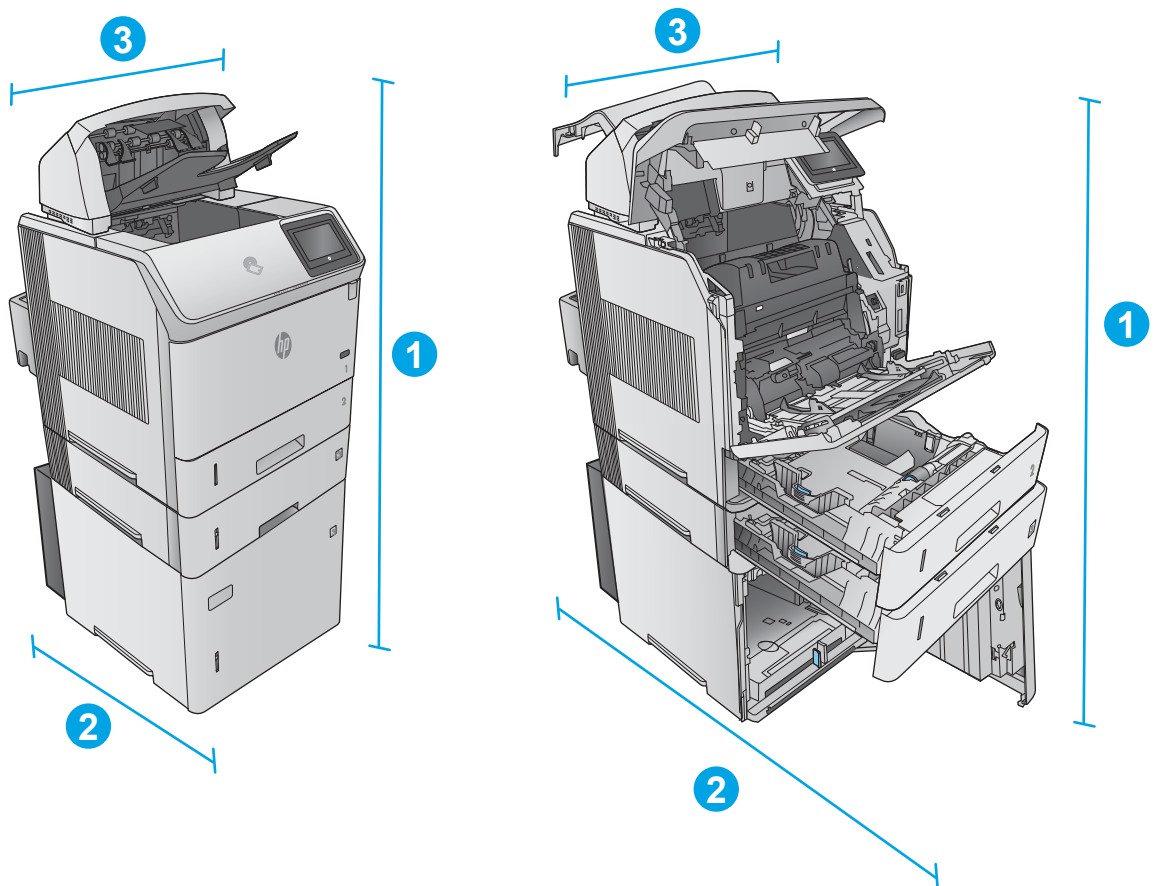
The following information is for samples of various combinations of the printer and accessories. Several other combinations are possible. Use the information for the individual accessories to calculate dimensions for other combinations.

### Combination one

Includes the printer plus these accessories:

- One 1 x 500-sheet paper feeder
- The 1,500-sheet high-capacity tray
- The stacker output accessory

**Figure A-10** Dimensions for Combination one



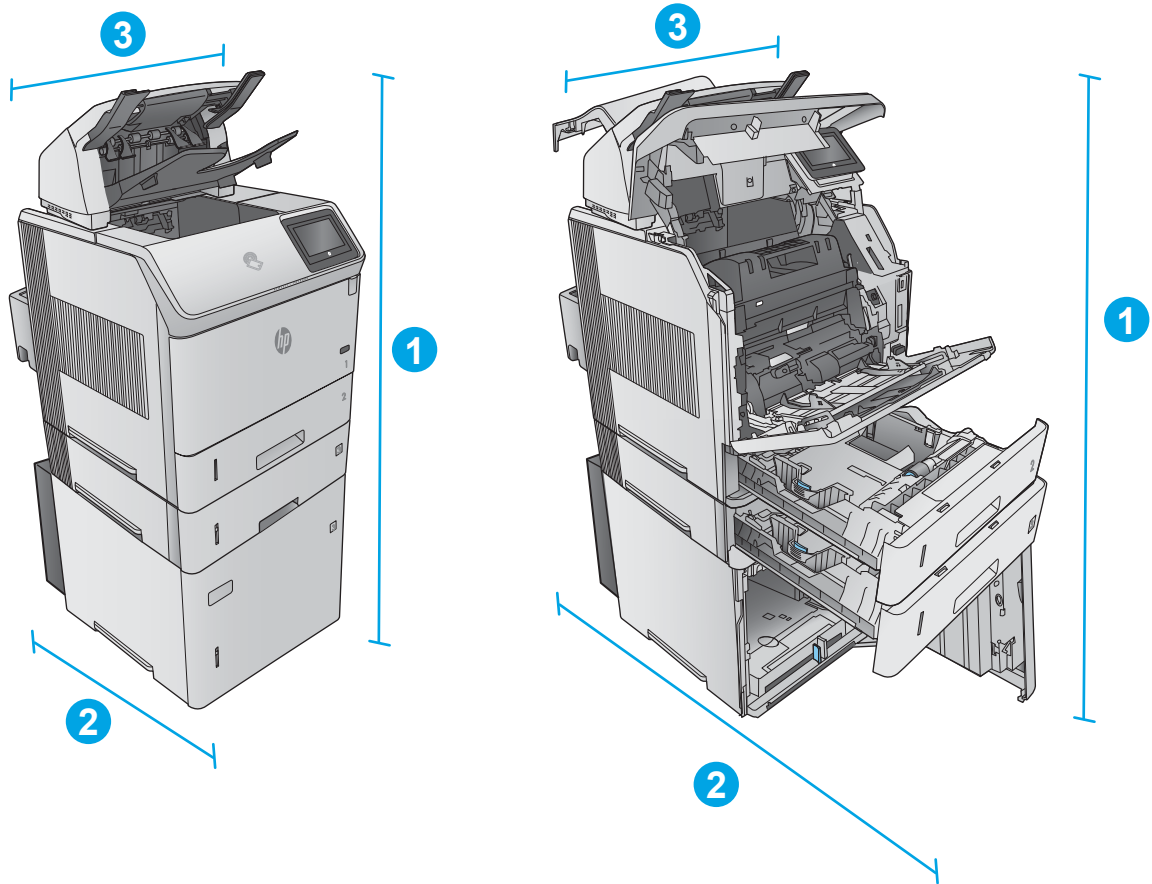
	Printer and accessories closed	Printer and accessories fully opened
1. Height	1089 mm (42.9 in)	1089 mm (42.9 in)
2. Depth	537 mm (21.1 in)	902 mm (35.5 in)
3. Width	425 mm (16.7 in)	425 mm (16.7 in)
Weight	48.7 kg (107.4 lb)	

## Combination two

Includes the printer plus these accessories:

- One 1 x 500-sheet paper feeder
- The 1,500-sheet high-capacity tray
- The stapler/stacker output accessory

**Figure A-11** Dimensions for Combination two



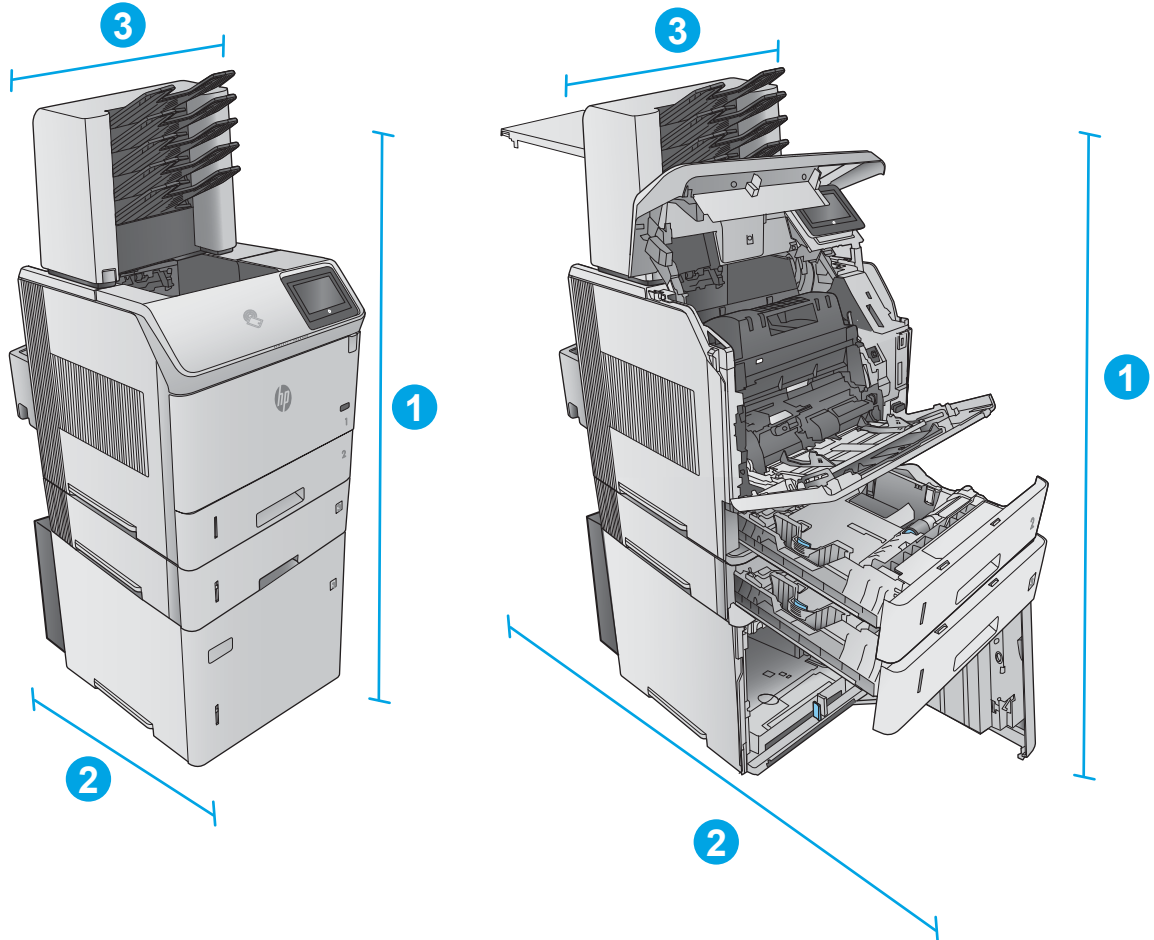
	Printer and accessories closed	Printer and accessories fully opened
1. Height	1156 mm (45.5 in)	1156 mm (45.5 in)
2. Depth	537 mm (21.1 in)	902 mm (35.5 in)
3. Width	425 mm (16.7 in)	425 mm (16.7 in)
Weight	49.7 kg (109.6 lb)	

## Combination three

Includes the printer plus these accessories:

- One 1 x 500-sheet paper feeder
- The 1,500-sheet high-capacity tray
- The 5-bin mailbox output accessory

**Figure A-12** Dimensions for Combination three



	<b>Printer and accessories closed</b>	<b>Printer and accessories fully opened</b>
1. Height	1367 mm (53.8 in)	1367 mm (53.8 in)
2. Depth	537 mm (21.1 in)	1468 mm (57.8 in)
3. Width	425 mm (16.7 in)	425 mm (16.7 in)
Weight	52.5 kg (115.7 lb)	


## Printer space requirements

HP recommends that 30 mm (1.81 in) be added to the printer dimensions provided in this chapter to make sure there is sufficient space to open doors and covers, and to provide proper ventilation. See [Printer dimensions on page 412](#).

## Power consumption, electrical specifications, and acoustic emissions

See [www.hp.com/support/ljM604](http://www.hp.com/support/ljM604), [www.hp.com/support/ljM605](http://www.hp.com/support/ljM605), [www.hp.com/support/ljM606](http://www.hp.com/support/ljM606) for current information.

---

 **CAUTION:** Power requirements are based on the country/region where the printer is sold. Do not convert operating voltages. This will damage the printer and void the printer warranty.

---

## Operating-environment range

**Table A-1 Operating-environment specifications**

<b>Environment</b>	<b>Recommended</b>	<b>Allowed</b>
Temperature	7.5° to 32.5°C (45.5° to 90.5°F)	0° to 35°C (32° to 95°F)
Relative humidity	5% to 90% relative humidity (RH)	35% to 85% RH
Altitude	Not applicable	0 to 3048 m (0 to 10,000 ft)

# Certificate of Volatility

Figure A-13 Certificate of Volatility 1 of 2)

Hewlett-Packard Certificate of Volatility				
Model: LaserJet Enterprise M604, M605, M606		Part Number: M604n/605n = E6B67A/E6B69A M604dn/605dn/606dn = E6B68A/E6B70A/E6B72A M605x/606x = E6B71A/E6B73A		Address: Hewlett Packard Company 11311 Chinden Blvd Boise, ID 83714
Volatile Memory				
Does the device contain volatile memory (Memory whose contents are lost when power is removed)? <input checked="" type="checkbox"/> Yes <input type="checkbox"/> No If Yes please describe the type, size, function, and steps to clear the memory below				
Type (SRAM, DRAM, etc): DRAM	Size: 512MB	User Modifiable: <input type="checkbox"/> Yes <input checked="" type="checkbox"/> No	Function: Operation system and print buffer	Steps to clear memory: There are no steps to clear this data.
Type (SRAM, DRAM, etc):	Size:	User Modifiable: <input type="checkbox"/> Yes <input type="checkbox"/> No	Function:	Steps to clear memory:
Type (SRAM, DRAM, etc):	Size:	User Modifiable: <input type="checkbox"/> Yes <input type="checkbox"/> No	Function:	Steps to clear memory:
Non-Volatile Memory				
Does the device contain non-volatile memory (Memory whose contents are retained when power is removed)? <input checked="" type="checkbox"/> Yes <input type="checkbox"/> No If Yes please describe the type, size, function, and steps to clear the memory below				
Type (Flash, EEPROM, etc): EEPROM	Size: 32KB	User Modifiable: <input type="checkbox"/> Yes <input checked="" type="checkbox"/> No	Function: Store customer setting data for backup/restore	Steps to clear memory: There are no steps to clear this data.
Type (Flash, EEPROM, etc): SPI	Size: 4MB	User Modifiable: <input type="checkbox"/> Yes <input checked="" type="checkbox"/> No	Function: BIOS	Steps to clear memory: There are no steps to clear this data.
Type (Flash, EEPROM, etc): None	Size:	User Modifiable: <input type="checkbox"/> Yes <input type="checkbox"/> No	Function:	Steps to clear memory:
Mass Storage				
Does the device contain mass storage memory (Hard Disk Drive, Tape Backup)? <input checked="" type="checkbox"/> Yes <input type="checkbox"/> No If Yes please describe the type, size, function, and steps to clear the memory below				
Type (HDD, Tape, etc): eMMC	Size: 4GB	User Modifiable: <input checked="" type="checkbox"/> Yes <input type="checkbox"/> No	Function: JEDI and user data	Steps to clear memory: Firmware update
Type (HDD, Tape, etc):	Size:	User Modifiable: <input type="checkbox"/> Yes <input type="checkbox"/> No	Function:	Steps to clear memory:
USB				
Does the item accept USB input and if so, for what purpose (i.e Print Jobs, device firmware updates, scan upload)? <input checked="" type="checkbox"/> Yes <input type="checkbox"/> No If Yes please describe below				
Walk-up USB print				
Can any data other than scan upload be sent to the USB device)? <input type="checkbox"/> Yes <input type="checkbox"/> No If Yes please describe below				



**Figure A-14 Certificate of Volatility (2 of 2)**

RF/RFID			
Does the item use RF or RFID for receive or transmit of any data including remote diagnostics. (e.g. Cellular phone, Bluetooth) <input type="checkbox"/> Yes <input type="checkbox"/> No If Yes please describe below			
Purpose			
Frequency:)		Bandwidth:	
Modulation:		Effective Radiate Power (ERP):	
Specifications:			
Other Transmission Capabilities			
Does the device employ any other methods of non-wired access to transmit or receive any data whatsoever (e.g. anything other than standard hard wired TCP/IP, direct USB, or parallel connections)? <input checked="" type="checkbox"/> Yes <input type="checkbox"/> No If Yes please describe below:			
Purpose: Wireless direct print.			
Frequency: 2.4Ghz		Bandwidth:	
Modulation:		Effective Radiate Power (ERP):	
Specifications: 802.11 b/g			
Other Capabilities			
Does the device employ any other method of communications such as a Modem to transmit or receive any data whatsoever? <input checked="" type="checkbox"/> Yes <input type="checkbox"/> No If Yes please describe below:			
Purpose: NFC; to support tap to print only			
Specifications: NFC Tag Type 4 ISO 14443B			
Author Information			
Name:	Title: Security Technical Marketing Engineer	Email:	Business Unit: IPG
			Date Prepared: 01/15/15



# Index

## Symbols/Numerics

- 1,500-sheet high-capacity feeder
  - connectors, diagrams 150
- 1,500-sheet tray
  - clearing jams 370
- 1x500-sheet feeder
  - connectors, diagrams 150
- 500-sheet tray
  - clearing jams 368

## A

- AC to DC conversion 14
- accessories installed, information 173
- acoustic specifications 422

## B

- bands, troubleshooting 329
- basic printer operation 3
- blank pages
  - troubleshooting 392
- blank pages, troubleshooting 327
- block diagram
  - cross section 141
  - external plug and port locations 151
  - printed circuit assembly (PCA)
    - connector locations 146
    - sensors and switches 136

## C

- cables
  - USB, troubleshooting 392
- cassette presence detection
  - trays 3-6 45
- cautions iii
- certificate of volatility 424
- characters, troubleshooting 331

- checklist
  - problems 65
- circuit diagrams 161
  - fuser temperature-control 17
  - high-voltage power supply 16
  - low-voltage power supply 14
- clean the paper path
  - cleaning page printing 176, 323, 335
- cleaning
  - 1,500-sheet high capacity input (HCI) feeder rollers 351
  - paper path 335
  - printer 335
  - tray 1 rollers 336
  - tray 2-X rollers 345
- cold reset 398
- component test
  - special mode test 134
- components
  - DC controller 10
  - diagnostic tests 134
  - engine-control system 9
  - pickup, feed, and delivery 28
- configuration page 122
- configuration pages
  - information 173
  - printing 68, 168
- connections
  - DC controller 146
- connectivity LED 122
- connectors
  - 1,500-sheet high-capacity feeder 150
  - 1x500-sheet feeder 150
  - duplexer 151
  - envelope feeder 151
  - printer base 149

- control panel 6
    - Administration menu 177
    - Backup/Restore menu 210
    - Calibrate/Cleaning menu 210
    - connections diagram 146
    - Display Settings menu 189
    - General Settings menu 179
    - Manage Supplies menu 191
    - Manage Trays menu 193
    - messages, types of 213
    - Network Settings menu 196
    - Print Options menu 187
    - Print Settings menu 184
    - Reports menu 177
    - Service menu 212
    - Stapler/Stacker Settings 195
    - troubleshooting menu 207
    - USB Firmware Upgrade menu 212
  - control panel diagnostic flowcharts (M605x and M606x only) 115
  - control-panel menus 177
  - conventions, document iii
  - cooling
    - areas and fans 11
  - counts 397
    - page, reset 397
    - refurbish cycle 398
    - reset after replacing formatter 397
    - See also* pages counts
  - CPU 7
  - creases, troubleshooting 331
  - cross section
    - block diagram 141
  - current settings pages 70
- ## D
- dark image, troubleshooting 327

- date
  - codes for firmware 173
  - product first used 398
- DC controller
  - components 10
  - connections, diagrams 146
  - fans 11
  - motors 11
  - sensors 13
  - solenoids 12
  - switches 12
- DC motors 11
- DC voltages converted from AC 14
- defeating
  - interlocks 124
- demo page 122
- determine problem source 91
- determine the installed revision of firmware 406
- development process 24
- diagnostics
  - component 134
  - engine 123
  - LED 122
  - networks 201
- diagrams
  - block 136
  - circuit 161
  - DC controller connections 146
  - formatter connectors 148
  - main assemblies (printer base) 153
  - motors and fans (printer base) 155
  - printed circuit assemblies (PCAs; printer base) 156
  - timing 160
- dimensions, printer 412
- document conventions iii
- driver PCA
  - envelope feeder 52, 57
- drum charge elimination 27
- drum cleaning 26
- duplex printing accessory
  - connections diagram 146
- duplexer
  - clearing jams 382
  - connectors, diagrams 151
  - electrical components 58
  - jam detection 62
  - motor control 57
  - paper pickup 59
  - theory of operation 57
- duplexing unit
  - motors 11
- E**
  - electrical components
    - duplexer 58
    - envelope feeder 53
    - HCI 48
    - trays 3-6 43
  - electrical specifications 422
  - embedded web server 407
  - engine
    - diagnostics 123
    - test page 123
  - engine power supply
    - connections diagram 146
  - engine-control system
    - components 9
  - envelope feeder
    - clearing jams 384
    - connections diagram 146
    - connectors, diagrams 151
    - driver PCA 52, 57
    - electrical components 53
    - jam detection 56
    - motor control 52
    - multiple feed detection 54
    - multiple feed prevention 54
    - paper pickup 54
    - theory of operation 52
  - error messages
    - types of 213
  - event log 70, 122
    - clear 313, 398
    - clear using LCD control panel 72
    - clear using touchscreen control panel 71
    - information 173
    - print 312
    - view 312
  - event-log messages 311
  - exhaust fans 11
  - external plug and port locations
    - block diagram 151
- F**
  - faded print 327
  - failure detection
    - low-voltage power supply 15
    - motors 11
  - fans
    - connections diagram 146
    - DC controller 11
    - exhaust 11
    - intake 11
  - firmware
    - date codes 173
    - firmware, downloading new 405
  - flowcharts
    - troubleshooting 91
  - formatter
    - connections diagram 146
    - resets after replacing 397
  - formatter connectors
    - diagrams 148
  - formatter control system 5
  - formatter lights 122
  - fuser 17
    - clearing jams 376
    - connections diagram 146
    - control-circuit function 17
    - identification 18
    - life detection 18
    - temperature control 17
    - See also* fusing and delivery unit
  - fuser test page
    - print 174, 175
  - fusing process 26
- H**
  - hardware integration pocket (HIP) is not functioning 121
  - HCI
    - driver PCA 46
    - electrical components 48
    - jam detection 51
    - media size detection 48
    - motor control 47
    - multiple feed prevention 49
    - paper pickup 48
    - theory of operation 46
    - tray lift operation 50
  - HCI driver PCA
    - paper deck 46
  - HCI tray
    - clearing jams 370
    - lift operation 50

- HCI, 1,500-sheet high capacity input feeder rollers
  - cleaning 351
- heat control for fuser 17
- high-voltage power supply (HVPS)
  - operations 16
- home button is unresponsive 120
- horizontal lines, troubleshooting 329
- HP embedded Jetdirect page 170, 171
- HP Jetdirect print server
  - configuration page 170
  - lights 122
- HVPS (high-voltage power supply)
  - operations 16

## I

- I/O interfaces 7
- image information process 22
- image quality
  - 1,500-sheet high capacity input (HCI) feeder rollers, clean 351
  - check paper and the printing environment 324
  - check toner-cartridge status 322
  - clean the printer 323
  - inspect the toner cartridge 324
  - tray 1 rollers, clean 336
  - tray 2-X rollers, clean 345
- image quality issues
  - examples and solutions 327
- image-formation process
  - development process 24
  - drum charge elimination 27
  - drum cleaning 26
  - fusing process 26
  - laser-beam exposure 24
  - primary charging 23
  - primary transfer process 25
  - separation process 25
- imaging drums
  - diagnostic test 125
- individual component diagnostics 122
- initial rotation period 4
- input/output interfaces 7

- installation
  - date calculation 398
  - verify for optional accessories 68, 168
- intake fans 11
- interlocks
  - defeating 124
- interpret control-panel messages and event log entries 213
- IPv4 information 170, 172
- IPv6 information 170, 172

## J

- jam detection sensors (printer base)
  - location 35
- jams 370
  - 1,500-sheet tray 370
  - 500-sheet trays 368
  - auto-navigation 365
  - causes of 365
  - detection in duplexer 62
  - detection in envelope feeder 56
  - detection in HCI 51
  - detection in trays 3-6 45
  - diagnostic test for 126
  - duplexer 382
  - envelope feeder 384
  - fuser 376
  - HCI tray 370
  - mailbox accessory 386
  - output bin 381
  - rear output bin 375
  - recovery 391
  - sensor locations 362
  - sensors and switches 1x500-sheet feeder 363
  - sensors HCI 364, 365
  - sensors, product base 362
  - stacking accessory 388
  - stapling accessory 388
  - toner cartridge area 372
  - Tray 1 367
  - Tray 2 368
- Jetdirect print server
  - lights 122

## K

- keyboard 6

## L

- laser-beam exposure 24

- laser/scanner
  - operations 19
- laser/scanner assembly
  - connections diagram 146
- last rotation period 4
- latent image formation 23
- LEDs. *See* lights
- light print, troubleshooting 327
- lights
  - formatter 122
  - troubleshooting with 122
- lines, troubleshooting 329
- link speed settings 205
- loose toner, troubleshooting 331
- low-voltage power supply (LVPS)
  - converted DC voltages 14
  - failure detection 15
  - operations 14
  - protection for components 15
  - stops and interruptions 14
- LVPS (low-voltage power supply)
  - converted DC voltages 14
  - failure detection 15
  - operations 14
  - protection for components 15
  - stops and interruptions 14

## M

- mailbox accessory
  - clearing jams 386
- main assemblies (printer base)
  - block diagram 153
- manual print modes 324
- media size detection
  - trays 3-6 44
- Memory Enhancement technology (MEt) 8
- menu map 69
- messages
  - types of 213
- motor control
  - duplexer feeder 57
  - envelope feeder 52
  - HCI 47
  - trays 3-6 43
- motors
  - connections diagram 146
  - DC controller 11
  - failure detection 11
  - stepping 11

- motors and fans (printer base)
  - block diagram 155
- movement of paper through product.  
*See* pickup, feed, and delivery
- multiple feed detection
  - envelope feeder 54
- multiple feed prevention
  - envelope feeder 54
  - trays 3-6 45

## N

- networks
  - diagnostics 201
  - HP embedded Jetdirect
    - configuration page 170
  - link speed settings 205
  - wireless page 171
- no control panel sound 119
- notes iii

## O

- operation
  - Sleep mode 5
- operation sequence 4
- operations
  - laser/scanner 19
- output bin
  - clearing jams 381
- over-current protection 15
- over-voltage protection 15

## P

- pages
  - blank 392
  - not printing 392
  - printing slowly 392
- pages count 397
  - reset 397
  - See also* counts
- paper
  - default size reset 398
  - jam detection, duplexer 62
  - jam detection, envelope feeder 56
  - jam detection, HCI 51
  - jams 365
  - stop in path for testing 133
  - trays 3-6 jam detection 45
  - wrinkled 331
- paper feeder
  - trays 3-6 driver PCA 42

- paper handling
  - solve problems 357
- paper movement
  - operation 28
- paper path
  - diagnostic test 126
  - product 28
  - stop movement for testing 133
- paper pickup
  - duplexer 59
  - envelope feeder 54
  - HCI 48
  - trays 3-6 44
- paper-path
  - test, sensors 127
- password
  - Service menu PIN 397
- periods of the operation sequence 4
- pickup, feed, and delivery
  - components 28
  - overview 28
- PJL (printer job language) 6
- PML (printer management language) 6
- power
  - consumption 422
- power subsystem 92
- power supply 14
  - connections diagram 146
  - troubleshooting 92
  - See also* low-voltage power supply; high-voltage power supply
- power-on troubleshooting
  - overview 92
- power-save mode. *See* sleep settings
- pre-boot menu options 73
- primary charging process 23
- print quality
  - built-in troubleshooting pages 318
  - check the paper-type setting for the print job 322
  - manual print modes 324
  - test pages 168
  - use a different software program 322
- Print Test Page 180
- print-quality troubleshooting 314

- print-quality, solve 314
- printed circuit assembly (PCA)
  - connector locations
    - block diagram 146
- printed circuit assemblies (PCAs; printer base)
  - block diagram 156
- printer job language (PJL) 6
- printer management language (PML) 6
- printer space requirements 421
- printing
  - modes, manual 324
  - period in operation sequence 4
  - stop for testing 133
  - troubleshooting 392
- problem-solving
  - event-log messages 311
  - messages, types of 213
  - networks 201
- product base
  - connectors, diagrams 149
- product cold reset 400
- product resets 398

## R

- rear output bin
  - clearing jams 375
- restore factory settings 398
- restore the service ID 399

## S

- security settings information 170, 171
- sensors
  - block diagram 136
  - connections diagram 146
  - DC controller 13
  - diagnostic tests 127
  - pickup, feed, and delivery system 28
  - tests, diagnostic sensor and paper path 126
  - tests, manual tray/bin 131
- separation process 25
- serial number 398
- service and support information v, 2, 64

- Service ID
  - convert to date 398
  - restore 398
- Service menu options 397
- service mode functions 397
- settings
  - restore factory 398
- Sleep mode
  - operation 5
- sleep settings 5
  - voltage too high during 15
- solenoids
  - DC controller 12
- solve connectivity problems 395
- solve performance problems 392
  - factors affecting print performance 392
  - print speeds 393
  - product does not print or it prints slowly 393
  - product prints slowly 394
- solve problems 63
  - output is curled or wrinkled 358
  - paper does not feed automatically 360
  - paper does not feed from Tray 2-X 358
  - paper handling 357
  - product does not pick up paper 359
  - product does not pick up paper or misfeeds 359
  - product feeds incorrect page size 357
  - product picks up multiple sheets of paper 360
  - product pulls from incorrect tray 357
  - product will not duplex or duplexes incorrectly 357
- solving
  - direct-connect problems 395
- space requirements, printer 421
- specifications
  - electrical and acoustic 422
  - space requirements 421
- stacking accessory
  - clearing jams 388
- standby period 4
- staples in the stapling accessory
  - clearing jams 388
- stapling accessory
  - clearing jams 388
- status
  - messages, types of 213
- status page 122
- stepping motors 11
- stop printing for test 133
- streaks, troubleshooting 329
- sub-voltage
  - low-voltage power supply circuit 14
- switches
  - block diagram 136
  - connections diagram 146
  - DC controller 12
- T**
- TCP/IP information 170, 171
- temperature
  - control for fuser 17
- test pages
  - fuser 174, 175
- tests
  - component tests list and descriptions 135
  - disable cartridge check 125
  - engine 123
  - networks 201
  - paper path 126
  - paper path and sensor diagnostic 126
  - paper-path sensors 127
  - print/stop 133
  - tray/bin manual sensor 131
- text, troubleshooting 331
- theory of operation
  - duplexer 57
  - trays 3-6 42
- theroy of operation
  - envelope feeder 52
  - HCI 46
- timing chart 160
- tips iii
- toner
  - image formation, use during 23
  - loose, troubleshooting 331
- toner cartridge area
  - clearing jams 372
- toner cartridges
  - diagnostic test 125
- touchscreen blank, white, or dim (no image) 116
- touchscreen control panel 6
- touchscreen has an unresponsive zone 118
- touchscreen is slow to respond 117
- transfer processes 25
- tray
  - HCI multiple feed prevention 49
- Tray 1
  - clearing jams 367
- tray 1 rollers
  - cleaning 336
- Tray 2
  - clearing jams 368
- tray 2-X rollers
  - cleaning 345
- tray lift operation
  - trays 3-6 45
- tray selection - use requested tray 193
- trays 3-6
  - electrical components 43
  - jam detection 45
  - media size detection 44
  - multiple feed prevention 45
  - paper pickup 44
  - theory of operation 42
  - tray lift operation 45
  - tray presence detection 45
  - tray X motor control 43
- trays 3-6 driver PCA
  - paper feeder 42
- troubleshooting 63
  - blank pages 392
  - check paper and the printing environment 324
  - check the paper-type setting for the print job 322
  - check toner-cartridge status 322
  - checklist 65
  - clean the paper path 176, 323, 335
  - clean the printer 323
  - configuration page 122
  - configuration pages for 68, 168
  - control panel checks 95

- demo page 122
- direct-connect problems 395
- event log 122
- flowchart 91
- inspect the toner cartridge 324
- jams 362, 365
- lights, using 122
- lines, printed pages 329
- network problems 395
- pages not printing 392
- pages printing slowly 392
- power 92
- print from a different software program 322
- print quality 318
- process 91
- reports and tools 122
- status page 122
- text 331
- USB cables 392
- wired network 395
- wrinkles 331

- wireless
  - configuration page 171
- wrinkles, troubleshooting 331

## U

- understand lights on the formatter
  - formatter lights 122
- understand the lights on the formatter
  - heartbeat LED 122
  - HP Jetdirect LEDs 123
- upgrade firmware 407
- upgrades, downloading product firmware 405
- USB flash drive
  - firmware upgrade, control panel 410
  - firmware upgrade, pre-boot menu 408
- USB port
  - troubleshooting 392
- Use Requested Tray 193

## V

- vertical lines, troubleshooting 329

## W

- waiting period 4
- warnings iii
- warranty date information 398
- weight, printer 412
- white spots, troubleshooting 328





